

# How to Order

## CBC-LOK®/CS-LOK®

CBC-Lok®/CS-Lok® Tube Fittings are ordered as listed in this catalog by inserting the material code before the part number. CBC-Lok®/CS-Lok® Tube Fittings can be identified through the part number as to material, tube size, configuration, and thread connection. The part number describes a complete fitting assembly. **Special Configurations available upon request.**

**Example:** A Stainless Steel Female Run Tee, 3/8" Tube Size to 1/4" Female Pipe to 3/8" Tube is designated as follows:

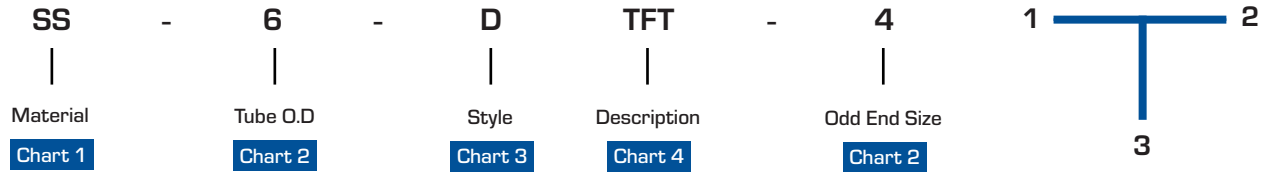


CHART 1- MATERIAL	
B	Brass
SS	Stainless Steel
S	Steel

CHART 3- STYLE	
D	CBC-Lok®
S	CS-Lok®

CHART 2- SIZES						
Fractional (inches)					Metric (millimeters)	
DESIGNATOR	TUBE OR HOSE O.D.	PIPE THREAD (NPT)	AN/STB TUBE SIZE	PIPE THREAD BSPP/BSPT	DESIGNATOR	TUBE O.D.
1	1/16	1/16-27		1/16-28	6	6 mm
2	1/8	1/8-27	5/16-24	1/8-28	8	8 mm
3	3/16				10	10 mm
4	1/4	1/4-18	7/16-20	1/4-19	12	12 mm
5	5/16				18	18 mm
6	3/8	3/8-18	9/16-18	3/8-19		
8	1/2	1/2-14	3/4-16	1/2-14		
10	5/8					
12	3/4	3/4-14	1-1/16-12	3/4-14		
14	7/8					
16	1	1-11 1/2	1-5/16-12	1-11		

CHART 4- DESCRIPTION	
ATANF	Adapter Tube to JIC
ATPF	Adapter Tube to Female Pipe
ATPM	Adapter Tube to Male Pipe
BHA	Bulkhead Adapter
BHFP	Bulkhead Female Pipe Connector
BHMP	Bulkhead Male Pipe Connector
BHU	Bulkhead Union
BUANF	Bulkhead to JIC Flare Union
CAP	Cap
F PLUG	Fitting Plug
FC	Female Connector
MC	Male Connector
PCU	Port Connector Union
RATT	Reducer Adapter Tube to Tube
RPC	Reducing Port Connector
RU	Reducing Union
TBW	Tube to Pipe Butt Weld Connector
TSW	Tube to Socket Weld Connector
U	Union
UANF	Tube to JIC Flare Union
ELU	Union Elbow
ELU45	Union 45° Elbow
FE	Female Elbow
ME	Male Elbow

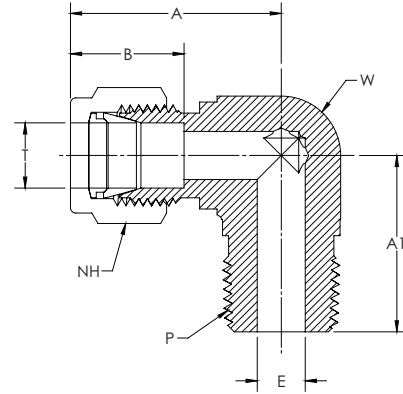
CHART 4- DESCRIPTION	
ME-STB	SAE Straight Thread Positionable Elbow
ME45	Male 45° Elbow
TBWE	Tube to Pipe Butt Weld Elbow
TSWE	Tube to Tube Socket Weld Elbow
TFT	Female Run Tee
TMT	Male Run Tee
TMT-STB	SAE Straight Thread Positionable Run Tee
TTF	Female Branch Tee
TTM	Male Branch Tee
TTT	Union Tee
CR	Union Cross
N	Nut
KN	Knurled Nut

CHART 5- MODIFIERS	
BT	Bored Through
BSPT	BSPT Male Connector
CL	Cleaned & Lubricated to ASTM G93 Level C
DN	Silver Plated Nut
HD	Heavy Duty
L	Lanyard
NF	Preswaged Nuts & Ferrules on Adapter End
Q	Body Only
SPCL	Cleaned & Lubricated to CGA G-4.1-2009
ORF-###	Orifice Fittings (### designates orifice size)
ORS	O-Ring Straight Thread Male Connector
ORT	O-Ring Tapered Thread Male Connector
RS	BSPP Male Connector
STB	Straight Thread Boss Male Connector

# DME/SME

## Male Elbow

CBC/CS-Lok



CBC PART NUMBER	INTERCHANGES WITH	CS PART NUMBER	INTERCHANGES WITH	T TUBE O.D.	P PIPE END NPT	A	A1	B	E THRU HOLE	NH NUT HEX	W WRENCH FLAT	
1-DME-1	100-2-1	1MSEL1N	1-SME-1	1-1 CBZ	1/16	1/16	0.80	0.74	0.35	0.05	5/16	1/2
1-DME-2	100-2-2	1MSEL2N	1-SME-2	1-2 CBZ	1/16	1/8	0.80	0.74	0.35	0.05	5/16	1/2
2-DME-1	200-2-1	2MSEL1N	2-SME-1	2-1 CBZ	1/8	1/16	0.98	0.74	0.52	0.09	7/16	1/2
2-DME-2	200-2-2	2MSEL2N	2-SME-2	2-2 CBZ	1/8	1/8	0.98	0.74	0.52	0.09	7/16	1/2
2-DME-4	200-2-4	2MSEL4N	2-SME-4	2-4 CBZ	1/8	1/4	0.98	0.93	0.52	0.09	7/16	1/2
2-DME-6	200-2-6	-	2-SME-6	-	1/8	3/8	1.34	1.03	0.52	0.09	7/16	11/16
3-DME-2	300-2-2	3MSEL2N	3-SME-2	3-2 CBZ	3/16	1/8	1.00	0.74	0.54	0.13	1/2	1/2
3-DME-4	300-2-4	3MSEL4N	3-SME-4	3-4 CBZ	3/16	1/4	1.00	0.93	0.54	0.13	1/2	1/2
4-DME-1	400-2-1	4MSEL1N	4-SME-1	4-1 CBZ	1/4	1/16	1.06	0.74	0.61	0.13	9/16	1/2
4-DME-2	400-2-2	4MSEL2N	4-SME-2	4-2 CBZ	1/4	1/8	1.06	0.74	0.61	0.19	9/16	1/2
4-DME-4	400-2-4	4MSEL4N	4-SME-4	4-4 CBZ	1/4	1/4	1.06	0.93	0.61	0.19	9/16	1/2
4-DME-6	400-2-6	4MSEL6N	4-SME-6	4-6 CBZ	1/4	3/8	1.17	1.03	0.61	0.19	9/16	11/16
4-DME-8	400-2-8	4MSEL8N	4-SME-8	4-8 CBZ	1/4	1/2	1.25	1.30	0.61	0.19	9/16	13/16
4-DME-12	400-2-12	-	4-SME-12	-	1/4	3/4	1.40	1.45	0.61	0.19	9/16	1-1/16
5-DME-2	500-2-2	5MSEL2N	5-SME-2	5-2 CBZ	5/16	1/8	1.18	0.82	0.65	0.19	5/8	5/8
5-DME-4	500-2-4	5MSEL4N	5-SME-4	5-4 CBZ	5/16	1/4	1.18	1.00	0.65	0.25	5/8	5/8
5-DME-6	500-2-6	-	5-SME-6	-	5/16	3/8	1.22	1.03	0.65	0.25	5/8	11/16
6-DME-2	600-2-2	6MSEL2N	6-SME-2	6-2 CBZ	3/8	1/8	1.20	0.82	0.67	0.19	11/16	5/8
6-DME-4	600-2-4	6MSEL4N	6-SME-4	6-4 CBZ	3/8	1/4	1.20	1.00	0.67	0.28	11/16	5/8
6-DME-6	600-2-6	6MSEL6N	6-SME-6	6-6 CBZ	3/8	3/8	1.24	1.03	0.67	0.28	11/16	11/16
6-DME-8	600-2-8	6MSEL8N	6-SME-8	6-8 CBZ	3/8	1/2	1.32	1.30	0.67	0.28	11/16	13/16
6-DME-12	600-2-12	6MSEL12N	6-SME-12	6-12 CBZ	3/8	3/4	1.47	1.45	0.67	0.28	11/16	1-1/16
6-DME-16	600-2-16	-	6-SME-16	-	3/8	1	1.65	1.83	0.67	0.28	11/16	1-3/8
8-DME-2	810-2-2	-	8-SME-2	-	1/2	1/8	1.42	0.92	0.90	0.19	7/8	13/16
8-DME-4	810-2-4	8MSEL4N	8-SME-4	8-4 CBZ	1/2	1/4	1.42	1.11	0.90	0.28	7/8	13/16
8-DME-6	810-2-6	8MSEL6N	8-SME-6	8-6 CBZ	1/2	3/8	1.42	1.11	0.90	0.38	7/8	13/16
8-DME-8	810-2-8	8MSEL8N	8-SME-8	8-8 CBZ	1/2	1/2	1.42	1.30	0.90	0.41	7/8	13/16
8-DME-12	810-2-12	8MSEL12N	8-SME-12	8-12 CBZ	1/2	3/4	1.57	1.45	0.90	0.41	7/8	1-1/16
8-DME-16	810-2-16	-	8-SME-16	-	1/2	1	1.76	1.83	0.90	0.41	7/8	1-3/8
10-DME-4	1010-2-4	-	10-SME-4	-	5/8	1/4	1.50	1.19	0.96	0.28	1	15/16
10-DME-6	1010-2-6	10MSEL6N	10-SME-6	10-6 CBZ	5/8	3/8	1.50	1.19	0.96	0.38	1	15/16
10-DME-8	1010-2-8	10MSEL8N	10-SME-8	10-8 CBZ	5/8	1/2	1.50	1.38	0.96	0.47	1	15/16
10-DME-12	1010-2-12	10MSEL12N	10-SME-12	10-12 CBZ	5/8	3/4	1.57	1.45	0.96	0.50	1	1-1/16
12-DME-4	1210-2-4	-	12-SME-4	-	3/4	1/4	1.57	1.25	0.96	0.28	1-1/8	1-1/16
12-DME-6	1210-2-6	-	12-SME-6	-	3/4	3/8	1.57	1.25	0.96	0.38	1-1/8	1-1/16
12-DME-8	1210-2-8	12MSEL8N	12-SME-8	12-8 CBZ	3/4	1/2	1.57	1.45	0.96	0.47	1-1/8	1-1/16
12-DME-12	1210-2-12	12MSEL12N	12-SME-12	12-12 CBZ	3/4	3/4	1.57	1.45	0.96	0.63	1-1/8	1-1/16
12-DME-16	1210-2-16	12MSEL16N	12-SME-16	-	3/4	1	1.76	1.83	0.96	0.63	1-1/8	1-3/8
14-DME-8	1410-2-8	14MSEL8N	14-SME-8	-	7/8	1/2	1.76	1.64	1.02	0.47	1-1/4	1-3/8
14-DME-12	1410-2-12	14MSEL12N	14-SME-12	14-12 CBZ	7/8	3/4	1.76	1.64	1.02	0.63	1-1/4	1-3/8
16-DME-8	1610-2-8	16MSEL8N	16-SME-8	-	1	1/2	1.95	1.64	1.24	0.47	1-1/2	1-3/8
16-DME-12	1610-2-12	16MSEL12N	16-SME-12	16-12 CBZ	1	3/4	1.95	1.64	1.24	0.63	1-1/2	1-3/8
16-DME-16	1610-2-16	16MSEL16N	16-SME-16	16-16 CBZ	1	1	1.95	1.83	1.24	0.88	1-1/2	1-3/8
20-DME-20	2000-2-20	20MSEL20N	-	-	1-1/4	1-1/4	2.67	2.00	1.62	1.09	1-7/8	1-11/16
24-DME-24	2400-2-24	24MSEL24N	-	-	1-1/2	1-1/2	3.10	2.25	1.97	1.34	2-1/4	2

NOTE: Dimensions subject to change, to be used for reference only.