

There's more to a

# **Ray Pressure Snubber™**

than gauge accuracy and protection...



*Operating & Maintenance Specialties, Inc.*

# A simple, cost-effective solution to damaging pressure surges and shocks.

Through its unique design, the Ray Snubber's™ rugged piston moving within its chamber kicks out the sediment and pipe scale that will clog needle valves, filters, porous metal discs and other designs. While each model is built to exacting specifications with tolerances to ten-thousandths of an inch, the unit-to-unit uniformity and easy piston changing makes installing a Ray Snubber™ into your system a smart choice.

There is a Ray Snubber™ for every application:

- Brass, Stainless Steel, Aluminum or Monel construction
- Pressure rating from vacuum to 20,000 psi (up to 60,000 psi with special high pressure connections)
- Air, water, gases, petrochemicals
- British taper threads or American NPT
- Over 100 models in stock featuring 12 piston options

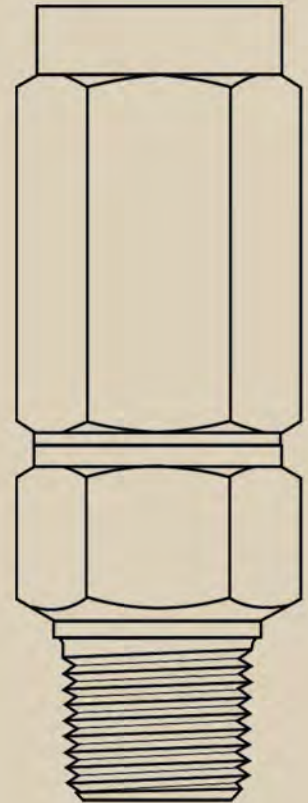
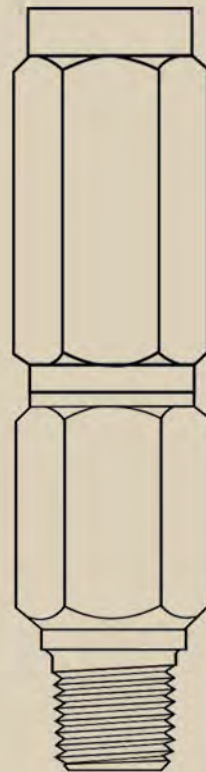
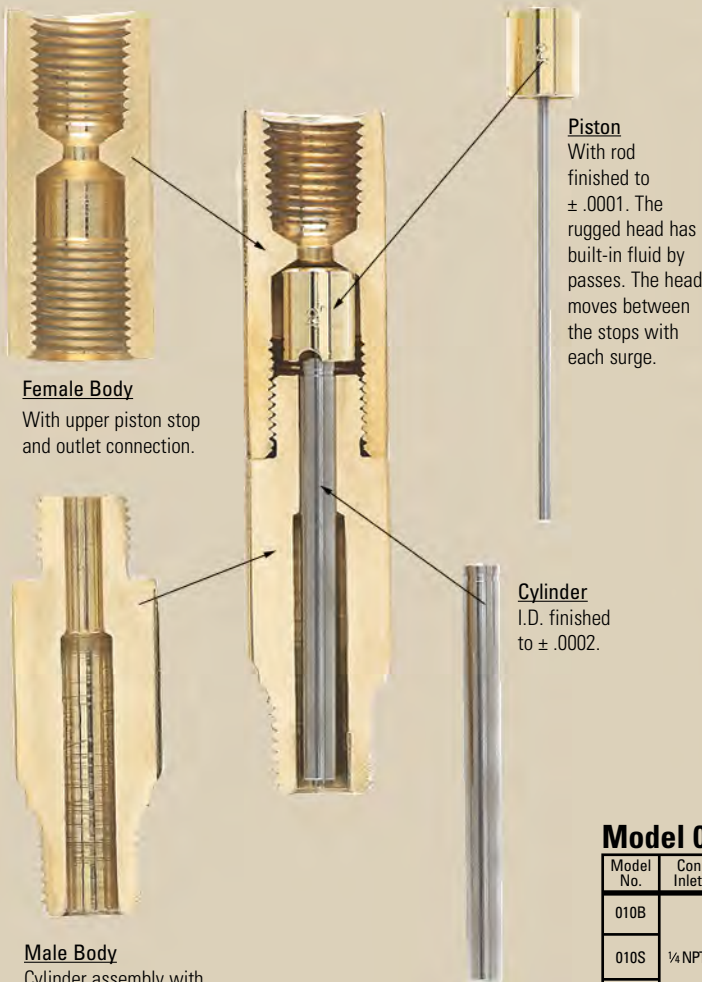
To accommodate variations in viscosities, every snubber is delivered with three easily changed, clearly marked pistons for gas, water / light oil and heavy oil. The unique piston movement prevents the clogging that is common with other snubber designs.

## Why risk your system's efficiency?

## Put the protection of a Ray Snubber™ to work for you today.

# Center Joint Snubber

- Pistons are easily changed from one size to another.
- Longer orifice offers superior protection.
- Larger piston/cylinder clearances provide enhanced self cleaning.



### Model 010

Model No.	Connections Inlet	Connections Outlet	Body MTRL	Max. PSI	LN.	Hex
010B			Brass	3000		
010S	1/4 NPT	1/4 NPT	303 Stainless	5000	3.46	3/4
010SS			316 Stainless	5000		

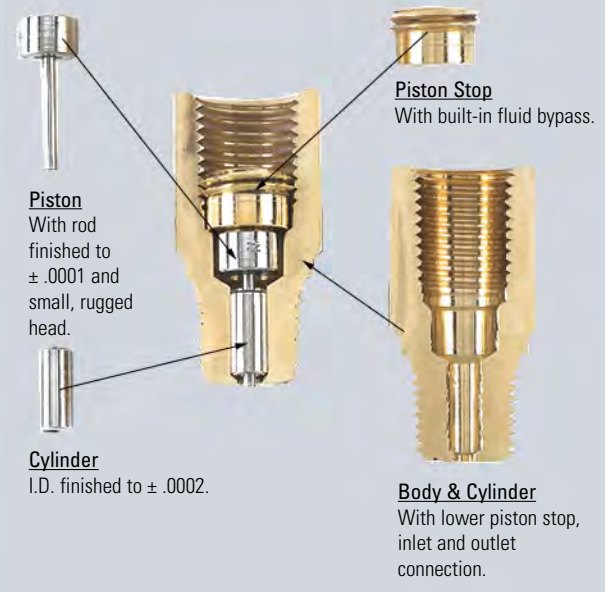
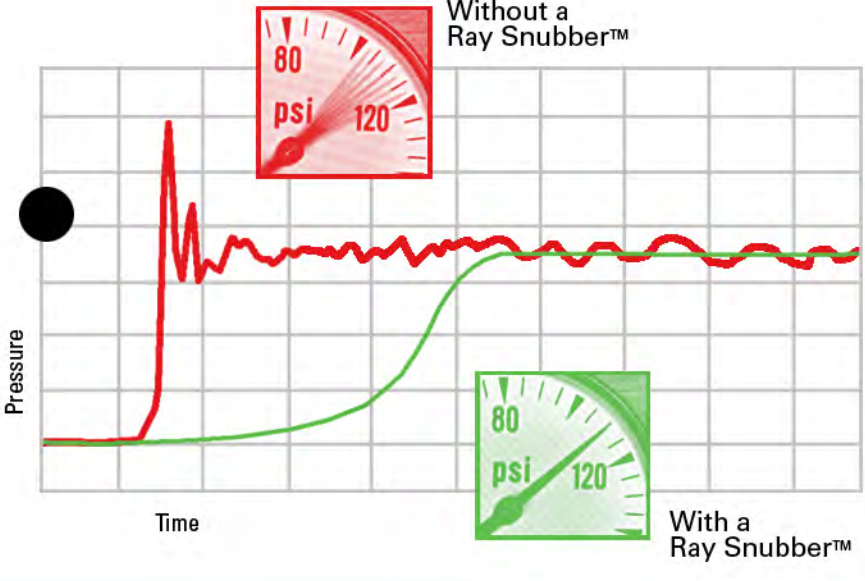
Model 010, 050 & 060 are available in British Taper Pipe Threads: Add BSP to part number.

### Model 050

Model No.	Connections Inlet	Connections Outlet	Body MTRL	Max. PSI	LN.	Hex
050B	3/8 NPT	3/8 NPT	Brass	5000	3.61	1 1/8

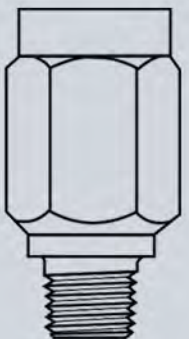
### Model 060

Model No.	Connections Inlet	Connections Outlet	Body MTRL	Max. PSI	LN.	Hex
060B			Brass	3000		
060S	1/2 NPT	1/2 NPT	303 Stainless	10,000	3.61	1 1/8
060SS			316 Stainless	10,000		



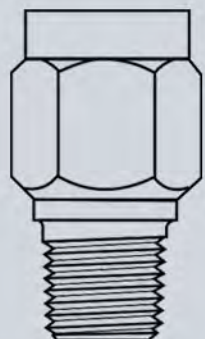
# Solid Body Snubber

- Shorter length ideally suited for installation with space constraints
- Less material equals less cost
- More end connection fittings available



**Model 047**

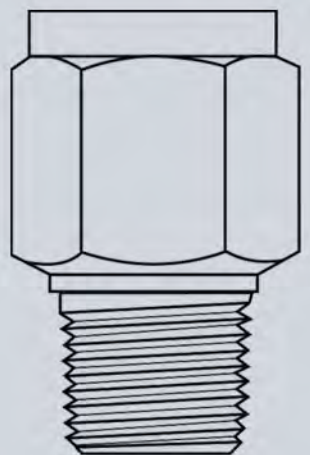
Model No.	Connections Inlet	Connections Outlet	Body MTRL	Max. PSI	LN.	Hex
047B			Brass	3000	1.5	1 1/16
047S	1/8 NPT	1/8 NPT	303 Stainless	5000		
047SS			316 Stainless	5000		



**Model 022**

Model No.	Connections Inlet	Connections Outlet	Body MTRL	Max. PSI	LN.	Hex
022B			Brass	5000	1.5	3/4
022M	1/4 NPT	1/4 NPT	Nickel-Copper (Monel)	5000		
022S			303 Stainless	15,000		
022SS			316 Stainless	15,000		

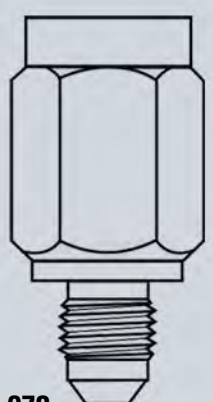
Available in British Taper Pipe Threads: Add BSP to part number.



**Model 023**

Model No.	Connections Inlet	Connections Outlet	Body MTRL	Max. PSI	LN.	Hex
023B			Brass	5000	2	1 1/2
023M	1/2 NPT	1/2 NPT	Nickel-Copper (Monel)	5000		
023S			303 Stainless	15,000		
023SS			316 Stainless	15,000		

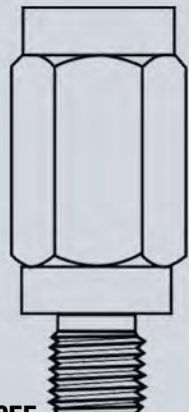
Available in British Taper Pipe Threads: Add BSP to part number.



**Model 078**

Model No.	Connections Inlet	Connections Outlet	Body MTRL	Max. PSI	LN.	Hex
078B	1/4 Tube	1/4 NPT	Brass	3000	1.75	3/4
078S			303 Stainless	5000		

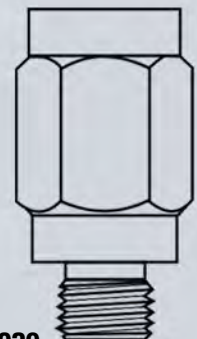
Tube angle is 37° with 7/16-20 threads.



**Model 055**

Model No.	Connections Inlet	Connections Outlet	Body MTRL	Max. PSI	LN.	Hex
055M	1/4 Tube	O-Ring Seal	Nickel-Copper (Monel)	6000	1.85	1 1/16
055SS			316 Stainless	6000		

Inlet is to MS33514-4 & SAE J514, commonly called flareless bite type. Outlet is to MS16142. Both threads are 7/16-20. Nuts, ferrules &/or O-rings must be ordered separately.



**Model 039**

Model No.	Connections Inlet	Connections Outlet	Body MTRL	Max. PSI	LN.	Hex
039B			Brass	3000	1.5	1 1/16
039M	O-Ring Seal 1/4 Tube	O-Ring Seal 1/4 Tube	Nickel-Copper (Monel)	6000		
039SS			316 Stainless	6000		

Outlet is to MS16142. Both threads are 7/16-20. O-rings are available.

The patented Ray Snubber™ protects gauges and other sensitive instruments that function as windows to your system's operation.

By absorbing damaging pulsations and surges, the snubber keeps accurate data flowing so you can keep your system performing at peak efficiency.

As a leader in the industrial market our stringent manufacturing standards on per-unit

monitoring has qualified us as a vendor of choice and integral part of our nation's defense... from aviation and missile launch systems to surface and subsurface vessels.



# The Ray Pressure Snubber™ “takes the pressure off” to assure that your sensors are performing at their best.

Operating & Maintenance Specialties, Inc.

*Physical Address:*  
694 W. Crowell St.  
Monroe, NC 28112

*Mailing Address:*  
PO Box 870  
Monroe, NC 28111

*Telephone:* (704) 291-7778  
*Fax:* (704) 283-4403

*Toll Free:* 1-888-SNUBBER  
*Web:* [www.raysnubber.com](http://www.raysnubber.com)