

MODEL 1310 DIN RAIL MOUNT

INDUSTRIAL SOLID STATE CONTROLS



Control-On Delay Din Rail Mount, Continuous Duty, Reset Button, Remote Reset with built in LED indicator.

The 1310 is a control-on delay timer, built specifically for continuous duty operation. For electric utility applications capable of high voltage DC switching. Din-Rail mounted housing with finger-safe electrical connectors - IP20 Rating Reinforced Isolation for Relays (Sealed Relays) Timed and Instantaneous contacts

ORDERING DATA

ORDERING CODES 1310 - A - 4 - B

BASIC MODEL NUMBER 1310

INPUT VOLTAGE

- A 18 to 72 VAC/DC
- B 90 to 300 VAC / 120 to 320 VDC
- C 80 to 160 VAC / 45 to 155 VDC

TIME RANGE

- 1 1.5 - 30 Cycles
- 2 1.5 - 45 Cycles
- 3 1.5 - 60 Cycles
- 4 1.5 - 120 Cycles
- 7 0.5 - 30 Seconds
- 8 0.5 - 60 Seconds / 1 Minute
- 9 0.5 - 120 Seconds / 2 Minutes
- 10 0.5 - 300 Seconds / 5 Minutes

OUTPUT

- A Relay DPDT (timed) - 2 Form C
- B Relay 6PDT (timed) - 6 Form C
- C Relay DPDT (timed) 2 Form C - 4PDT (Instant)-4 Form C

OPTIONAL

- W Fixed time (Customer to specify time)

SPECIFICATIONS

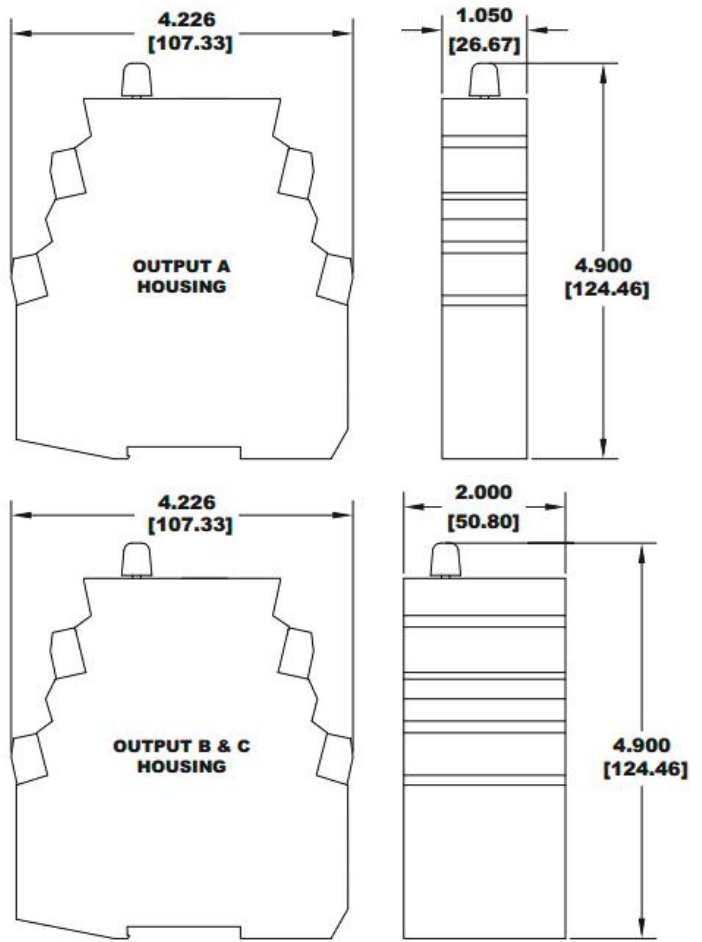
INPUT
VOLTAGE: 18 to 72 VAC/DC
 90 to 300 VAC / 120 to 320 VDC
 80 to 160 VAC / 45 to 155 VDC
POWER CONSUMPTION: 6W maximum
TRANSIENT PROTECTION: TVS

OUTPUT
TYPE: Electromechanical Relay
RATING: 10A @ 28 VDC (Max)
 3A @ 37 VDC
 0.5A @ 100 VDC
 0.4A @ 150 VDC
 0.3A @ 300VDC
 10A @ 250 VAC (Max) } Breaking Current

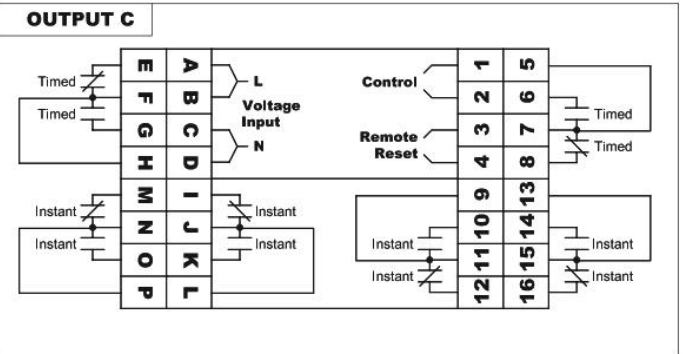
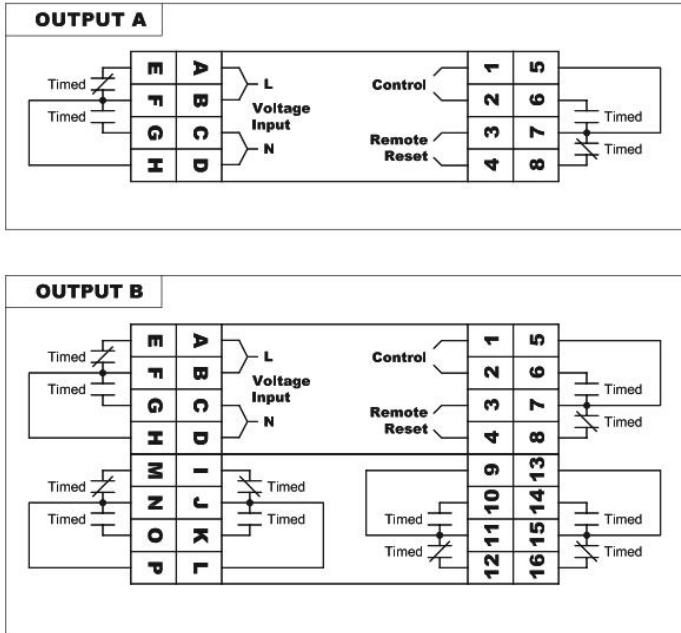
TIMING
TIMING FUNCTION: Control On-Delay
REPEAT ACCURACY: +/- 1% of setting
RESET TIME: 0.1 Second minimum
INDICATION: LED "on" when timing is complete
RANGE TOLERANCE: ≤ 10%
ENERGIZE DELAY: 20ms
CONTROL SIGNAL PULSE LENGTH: Min 25ms

PHYSICAL
OPERATING TEMP: -30°C to +73.9°C (-22° to 165°F)
TIMING VARIATION VS TEMP: +/- 10% maximum
MOUNTING: Din-Rail 35mm
HOUSING: Plastic - Polycarbonate
TERMINATION: Finger-safe connectors - IP20 Rating

DIMENSIONS INCHES(MM)



WIRING



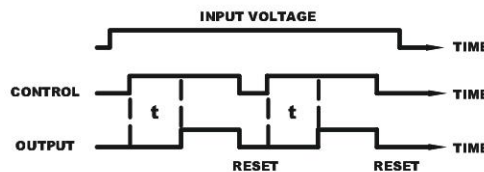
1. Never apply voltages to the following terminals 3-4-1-2
2. Short between terminals 3-4 to use remote reset
3. Short between terminals 1-2 to use control

GENERAL CHARACTERISTICS

MAXIMUM WIRE SIZE: 12 AWG
MINIMUM WIRE SIZE: 26 AWG
CONNECTION METHOD: Screw connection with tension sleeve
WIRE TERMINATION: 12 Awg (using wire pin terminals), Ferrules (for wire 14 Awg to 26 Awg)
DIN RAIL SIZE: 35mm

TIMING FUNCTION

Upon application of input voltage, the time delay relay is ready to accept a control signal. When the control is applied, the time delay (t) begins. At the end of the time delay (t), the output is energized and remains in that condition as long as either the control is applied or the input voltage remains. If the control is removed during the time delay (t), the output remains de-energized & the time delay (t) is reset.



ACCESSORIES

PANEL MOUNT RESET PUSHBUTTON: RP-220
ORANGE TERMINAL BLOCK: RP-350
POTENTIOMETER KNOB: RP-353
DIN CLIP (SINGLE HOUSING): RP-351
DIN CLIP (DOUBLE HOUSING): RP-352