

Anderson Greenwood Instrumentation Manifolds Mounting Systems

Uniquely designed connector / connector with isolation valve that provides support to an entire installation while transferring the radial-stress load away from the NPT connections.

General Application

The AGSF stabilized futbol/connector is used as the connection between an orifice fitting or flange and manifold on direct mounted differential pressure gas measurement installations. The dual cavity isolation valve version provides a straight forward alignment & installation process incorporating 1st block valve functionality from tapping point to instrument manifold.

TECHNICAL DATA

Materials

CS, 316 SS

Type:

Integral isolation valve (AGSFB)
Short and long body without valve (AGSF)

Standard:

6" (152mm) integral valve version (AGSFB)
4" (100 mm) short version (AGSF)

Optional:

5.6" (142 mm) long version (AGSF)

Seat options (integral valve):

Delrin / Tefzel / PEEK

Packing options (integral valve):

FKM O-ring / PTFE

Pressure (max):

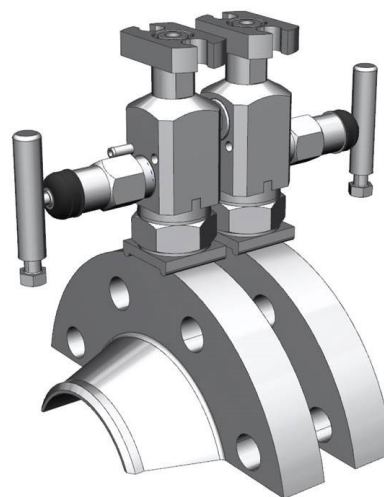
6000 psig (414 barg) standard

Weight:

SF with integral valve : 4.5 lbs
SF short version : 2.5 lbs
SF long version : 3.8 lbs



AGSF Stabilized Futbol (long & short version)



AGSFB Stabilized Futbol with Integral Block valve

Features

- Quick, easy installation & instruction sheet.
- Large footprint reduces radial-stress load on the NPT threads.
- Slotted bolt holes accommodate 2.1/8" to 2.1/4" (53 to 56 mm) bolt spacings.
- Available with dielectric shielding which provides a non-conductive barrier between the instrument and the orifice fitting.
- Universal design for both vertical and horizontal mount configurations.
- Available in standard or extended length for additional clearance requirements.
- Oxygen cleaning available.
- Stainless or carbon steel construction.
- High temperature graphite flange gaskets available (without integral valve version).
- Standard tools required for installation.

AGSF SERIES

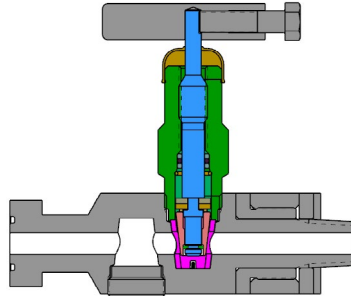
Anderson Greenwood Instrumentation Manifolds Mounting Systems

H1 Series 3/8" (9.5mm) bore bonnet assembly

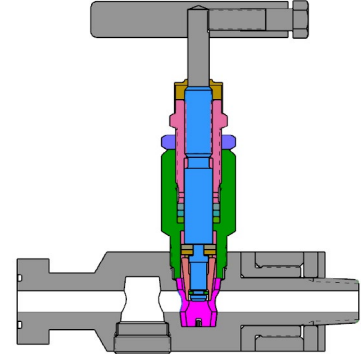
Screwed Bonnet

Features

- Non-rotating plug tip
- Metal to metal body to bonnet seal
- Through bore - roddable
- Packing below stem threads
- Soft seat options
- Bonnet pin



Type 'R' FKM O-Ring



Type 'V' PTFE Packing

Selection Guide

AGSFB	2	S	DI-D	RD
BASIC SERIES	BODY LENGTH	CONSTRUCTION MATERIAL	DIELECTRIC SHIELDING OPTION	OPTIONS
AGSF Stabilized Futbol connector AGSFB Stabilized Futbol connector with Integral Block Valve	S Short (standard clearance – overall length 4.0" [101.6 mm]) L Long (additional clearance – overall length 5.6" [142.4 mm]) 2 Used with AGSFB only (standard length)	S A351-CF8M / 316 SS C 216-WCB / CS	Omit Not required (standard) DI-D Dielectric shielding - Delrin® construction	RD O-Ring seal, Delrin seat (AGSFB only) VD PTFE seal, Delrin seat (AGSFB only) RT O-Ring seal, Tefzel seat (AGSFB only) VT PTFE seal, Tefzel seat (AGSFB only) VE PTFE seal, PEEK seat (AGSFB only) SG NACE MRO103 MRO175 / ISO less than 50PPM chlorides (AGSFB 316 SS only) OC00 Oxygen cleaning SSA 18-8 SS, max. pressure rating 4500 psi SSB 316 SS A193 B8M Class 2 strain hardened, max. pressure rating 6000 psi SSC 316 SS A193 B8M, max. pressure rating 4500 psi R FKM O-Ring flange seal H GRAPHITE gaskets (not available with Block valve version(AGSFB) or incorporation of dielectric shielding option)

NOTES

1. All standard stabilized connectors include PTFE flange seal.
2. All standard stabilized connectors include Carbon Steel A193 B7 bolts.
3. Delrin® is a registered trademark of the E.I. duPont de Nemours Company.

Anderson Greenwood Instrumentation Manifolds Mounting Systems

MATERIAL OF CONSTRUCTION (AGSFB TYPE)

Valve	Body / Bonnet	Stem
CS	A216-WCB (A108) / A108	A581-303
316 SS	A351-CF8M (316/316L) / A479-316	A276-316
SG ^[2]	A351-CF8M (316/316L) / A479-316	Monel [®] R405

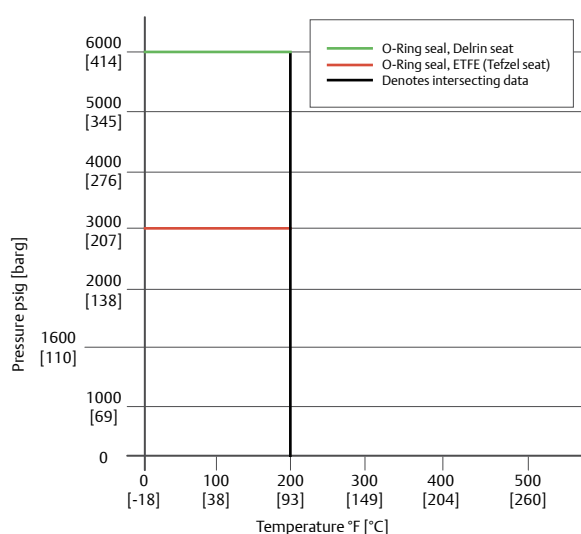
NOTES

1. CS is zinc TCP plated to prevent corrosion.
2. SG (Sour Gas) meets the requirements of NACE MR0175/ISO 15156 (for chloride conditions ≤ 50 mg/l [ppm]) and NACE MR0103.

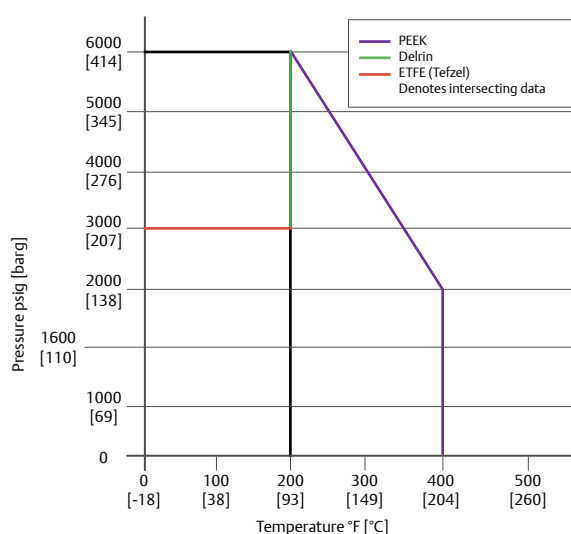
PRESS / TEMP RATING – SEAT & SEAL OPTIONS (AGSFB TYPE)

Code	Stem seal / Seat	Pressure / Temp rating
RD	O-Ring seal, Delrin seat	6000 psig at 200°F (414 barg at 93°C)
VD	PTFE seal, Delrin seat	6000 psig at 200°F (414 barg at 93°C)
RT	O-Ring seal, Tefzel seat	3000 psig at 200°F (207 barg at 93°C)
VT	PTFE seal, Tefzel seat	3000 psig at 200°F (207 barg at 93°C)
VE	PTFE seal, PEEK seat	6000 psig at 200°F (414 barg at 93°C) 2000 psig at 400°F (138 barg at 204°C)

H1 – O-Ring Packed



H1 – PTFE Packed



TESCOM™ Anderson Greenwood Instrumentation – Installation instructions and procedure for AGSFB type are provided for customer use. Refer to Document No. 05.9040.376