

Table of Contents continued

INLINE Seals™	337	Thermowells	425
L981.10	338	TW.TH (Threaded)	429
L981.18	341	TW.SW (Socket/Weld)	434
L981.22	343	TW.FL (Flanged)	436
L981.27	346	TW.SC (Sanitary)	437
L981.31	349	Industrial Glass	439
L981.57	351		
L981.SY	353		
Capsule Seals	355	ELECTRONIC TEMPERATURE TRANSMITTERS	441
L970.10	356	T19.10	442
L970.11	357	T19.30	442
		T23.10	443
Seal Accessories	359	T24.10	443
910.27	360	T12.10	444
L910.ZA	362	T12.30	445
General Seal Information	365	T32.10/T32.30	446
		T42.10	447
MECHANICAL TEMPERATURE	373	ACCESSORIES	449
Bimetal Thermometers	374	910.10 Gauge Cocks	450
TI.1005	376	910.11 Needle Valves	451
TI.ST	377	910.11.100 Mini-Needle Valves	452
TI.T20/TI.T17	378	910.11.200 Block & Bleed Valves	453
TI.20	380	910.11.300 Multi-Port Valves	454
TI.30/TI.50	381	910.12.100/910.12.200/	
TI.31/TI.51	382	910.12.300 Snubbers	455
TI.32/TI.52	383	910.13 Overpressure Protectors	456
TI.33/TI.34/TI.53/TI.54	384	910.14.100 Test Port Plug	457
		910.14.200 Adaptors	458
Bimetal Thermometer Options	387	910.14.300 Couplings	459
		910.15.100/910.15.200 Siphons	460
Digital Thermometers	389	CP3000/CP4000 Alarm Contacts	461
TI.1006DW	390	Socket Restrictor	464
TI.80/TI.82	391	Drag Pointer	464
		Alarm Contacts	464
Twin-Temp Thermometers	393	GENERAL INFORMATION	471
TT.30/TT.32/TT.50/TT.52	394		
TT.80/TT.82	399		
Gas Actuated Thermometers	401		
TI.R45/TI.R60	404		
TI.TSG60	408		
Vapor Actuated Thermometers	411		
TI.V20/TI.V25/TI.V35/TI.V45	412		
Industrial Glass Thermometers	417		
TI.61102/TI.61104	418		
TI.62102/TI.62104	418		
TI.701/TI.901	420		
TI.D01	423		

Sealgaug[®] and INLINE SEAL[™] are registered trademarks of WIKAI Instrument Corporation. Halocarbon[®] is a registered trademark of the Halocarbon Products Corporation. Hastelloy[®] is a registered trademark of the Cabot family of companies. Fluorolube[®] is a registered trademark of the Hooker Chemical & Plastics Corporation. Monel[®], Inconel[®], Incoloy[®] & NiSpan-C[®] are registered trademarks of the INCO family of companies. Viton[®] & Teflon[®] are registered trademarks of the E.I. DuPont family of companies. Tri-clamp[®] is a registered trademark of Tri-clover, Inc. Carpenter 20[®] is a registered trademark of Carpenter Technology.

Selecting a Pressure Gauge

When selecting a pressure gauge, it is important to consider the following factors to ensure safety and accuracy:

1. Pressure fluid composition
2. Pressure fluid temperature
3. Ambient conditions
4. Pressure range
5. Conditions affecting wear of the system
6. Method of mounting
7. Required accuracy

1

Pressure fluid composition

Since the sensing element of a pressure gauge may be exposed directly to the measured medium, consider the characteristics of this medium. It may be corrosive, it may solidify at various temperatures, or it may contain solids that will leave deposits inside the sensing element. For pressure fluids that will not solidify under normal conditions or leave deposits, a Bourdon tube gauge is acceptable. Otherwise a Sealgaug[®] or diaphragm seal should be used. A chemical compatibility chart follows this section to aid in the selection of the proper sensing element material.

2

Pressure fluid temperature

Steam and other hot media may raise the temperature of the gauge components above safe working limits of the sealed joints. In these cases it is recommended that a siphon, cooling tower or diaphragm seal be used in conjunction with the pressure gauge.

3

Ambient conditions

The normal ambient temperature range for WIKA pressure gauges is -40°F to +140°F (-40°C to +60°C) for dry or silicone-filled gauges and -4°F to +140°F (-20°C to +60°C) for glycerine-filled gauges. The error caused by temperature changes is +0.3% or -0.3% per 18°F rise or fall, respectively. The reference temperature is 70°F (20°C). The correction is for the temperature of the gauge, and not the temperature of the measured medium. Remote gauge mounting using a diaphragm seal and capillary line is one alternative for applications involving extreme ambient temperature.

Moisture and weather effects must also be considered. Liquid-filled gauges prevent condensation build up. For outdoor use, stainless steel, brass, or plastic cased gauges are recommended.

4

Pressure range

A gauge range of twice the working pressure is generally selected. The working pressure in all cases should be limited to 75% of the gauge range. Where alternating pressure and pulsation are encountered, working pressure should be limited to 2/3 of the gauge range.

5

Conditions affecting wear of the system

In applications involving severe pressure fluctuation or pulsation, the use of restrictors and/or snubbers is recommended. In addition, liquid-filled gauges increase the service life of gauges in these conditions. WIKA liquid-filled gauges are generally filled with glycerine. Silicone for larger temperature extremes and Halocarbon® for use with oxidizing agents such as chlorine, oxygen, and hydrogen peroxide are also available.

6

Method of mounting

Radial (LM) and back (CBM or LBM) connections are available for most WIKA gauges. WIKA stocks gauges with standard NPT threaded connections. Other types such as metric threads, straight threads, hose barbs, and special fittings are available as a special order.

Pressure gauges should be mounted in the upright position. For applications where the gauge is mounted sideways, horizontally, or upside down, contact WIKA Customer Service for gauge type compatibility.

Required accuracy

WIKA stocks gauges with accuracies from $\pm 3/2/3\%$ to $\pm 0.1\%$ of span (ASME Grade B to Grade 4A).

7

To ensure safe and accurate gauge selection, you must take all of the above factors into consideration. When in doubt, please do not hesitate to contact your local stocking distributor or WIKA Customer Service for assistance!

1-888-WIKA-USA

Chemical Compatibility Table

Acetic Acid	B	Ethyl Acetate	A	Oxygen	A
Acetic Anhydride	D	Ethyl Cellulose	B	Paraffin	A
Acetone	B	Ethylene	A	Phosphoric Acid	B
Acetylene	B	Ethylene Dibromide	B	Photographic Solutions	B
Alcohol	A	Ethylene Dichloride	D	Pickling Solutions	B
Alums	B	Ethylene Glycol	A	Picric Acid	B
Aluminum Sulfate	B	Ferric Nitrate	B	Picric Acid (dry)	B
Ammonia	B	Ferric Sulfate	B	Potassium Chloride	D
Ammonium Carbonate	B	Formaldehyde	B	Potassium Cyanide	B
Ammonium Hydroxide	D	Freon	A	Potassium Permanganate	B
Ammonium Phosphate	D	Gallic Acid	B	Prestone	A
Beer	A	Gas (for lighting)	A	Salicylic Acid	A
Benzine	A	Gasoline	A	Sea Water	C
Benzol	A	Gasoline (refined)	B	Silver Nitrate	B
Benzyl Alcohol	B	Glucose	C	Sodium Carbonate	D
Bleach Liquors	B	Glycerine	A	Sodium Cyanide	D
Bordeaux Mixture	A	Hydrocyanic Acid	B	Sodium Hydroxide	D
Butane	B	Hydrogen	B	Sodium Nitrate	B
Butanol	A	Hydrogen Peroxide	B	Sodium Peroxide	B
Butyric Acid	B	Kerosene	A	Sodium Phosphate	B
Calcium Bisulfite	B	Lacquers	A	Sodium Sulfate	B
Calcium Chloride	C	Lactic Acid	B	Sodium Sulfide	D
Calcium Hydroxide	B	Lysol	B	Sodium Sulfite	B
Carbon Dioxide(dry)	B	Magnesium Hydroxide	C	Sulfur Dioxide	D
Carbon Bisulfide	B	Magnesium Sulfate	B	Sulfur Dioxide (dry)	B
Casein	B	Mercury	B	Sulfuric (75%)	B
Chloroform	B	Methyl Chloride	D	Sulfurous Acid	B
Chromic Acid	B	Methyl Salicylate	D	Tanning Liquors	D
Citric Acid	B	Naphtha	A	Toluene	A
Coal Gas	A	Nickel Acetate	B	Vegetable Oils	B
Copper Sulfate	B	Nitric Acid (pure)	B	Vinegar	B
Cottonseed Oil	B	Nitrous Acid	D	Water	A
Creosote (crude)	B	Nitrous Oxide	D	Whiskey	B
Dextrine	A	Oil (lubricating)	A	Wines	B
Ethers	D	Oil (refined)	A	Zinc Sulfate	B

NOTE: For steam service, a siphon is required.

Find the process fluid in the table above and match the letter code (A,B,C, or D) with the wetted part material listed below:

A = Brass (Copper Alloy)
B = 316 Stainless Steel

C = Monel®
D = Consult Factory

This table is provided as a reference only and is accurate to the best of WIKAL's knowledge. WIKAL assumes no responsibility for, or obligation from, the information here.

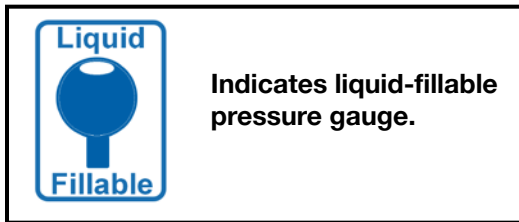
Advantages of Liquid-Filled Gauges

Liquid-filled gauges

Liquid-filled pressure gauges provide a number of advantages:

- * the liquid absorbs vibration and pressure spikes
- * the dampening action of the liquid enables the operator to take readings during conditions of rapid dynamic loading and vibration
- * the liquid lubricates all moving elements, dramatically reducing wear in the movement
- * because most liquid-filled gauges are filled with non-aqueous liquid and hermetically sealed, they perform in corrosive environments and are immune to moisture penetration and icing, and shock effects are lessened

Liquid-filled gauges enhance the reliability and integrity of the measuring system for long periods under extreme operating conditions.



Liquid Fill Fluid

Ambient Temperature Ratings (Table A)

Allowable Operating Range - Temperature range in which the operation of the gauge is not adversely affected by the filling liquid. At temperatures above the maximum rating, the fluid may break down. At temperatures below the minimum rating, the fluid may solidify (freeze).



NOTE: Some parts of the pressure gauge may not be able to withstand temperatures above 140°F. Consult with the factory for technical assistance for these applications.

Choose the Right Liquid

The type of liquid used to fill the gauge varies with the application. Although pure glycerine provides the best performance in most applications, each has its own requirements. Guidelines to help ensure that a fluid is properly matched to an application are:

- * if icing is a problem, use gauges filled with silicone oil or other comparable liquids. They have low viscosities even at -60°C
- * if the system has electric accessories, such as contacts, use insulating oils, and
- * if extreme temperature fluctuations are expected, use silicone oils

The higher the liquid viscosity, the greater its dampening capacity. The reason for this is that dampening changes in proportion to the temperature-dependent viscosity of the filling liquid. The suitable degree of dampening depends on the operating requirements the gauge must meet, such as pointer response time, pressure extremes, vibration, and changes in pressure. WIKA can recommend specific liquids to suit problem applications.

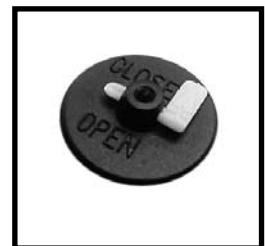
Fill Fluid	Allowable Operating Range
Glycerine Dow 99.7% USP, Synthetic 1118 Centistokes at 68°F	-4°F to 140°F -20°C to 60°C
Silicone Dow Corning 200 Fluid 1000 Centistokes at 77°F	-40°F to 140°F -40°C to 60°C
Halocarbon® Halocarbon® Products 6.3 Centistokes at 100°F	-40°F to 140°F -40°C to 60°C

Table A - Allowable Ambient Temperature Ratings

Liquid-Filled Gauge Case Venting

For pressure gauges with full scale ranges of 300 psi and below (including vacuum and compound ranges of 30" Hg-0-200 psi and below), case venting (after the gauge is installed) is necessary to preserve the accuracy. Temperature fluctuations during shipment and in the process application cause the liquid filling to expand and contract which in turn increases or decreases case pressure. As a result, accuracy can be decreased and the pointer may not return to zero properly until the gauge is vented to the atmosphere.

To vent a WIKA gauge, move the valve to the open position which will release any pressure or vacuum built up in the case. If the gauge is installed in an upright position, the lever can be left in the open position. The lever allows the use of a gauge in a non-upright orientation.



Vent Plug

WIKA Type Numbers

The following is a guide to the WIKA model numbering system.

2 1 3 . 4 0

WETTED PARTS

(Parts in contact with the fluid)

- 0 = Special design
- 1 = Copper alloy (brass)
- 2 = Steel
- 3 = Stainless steel
- 4 = Nickel - iron alloy (Ni-Span C®)
- 5 = Plastic (Refers to coating or lining, not actual sensing element)
- 6 = Nickel - copper alloy (Monel®)

BASIC INSTRUMENT TYPE (Instrument Series)

- 1 = Standard General Purpose Design
- 2 = High Quality Industrial Design
- 3 = Test & Precision Test Gauges
- 4 = Sealgauge® Diaphragm Gauges
- 5 = Absolute Pressure Gauges
- 6 = Capsule Pressure Gauges (Low pressure)
- 7 = Differential Pressure and Duplex Gauges
- 8 = TRONIC Line
- 9 = Diaphragm Seals

CASE FILLING

- 0 = Special type
- 1 = Standard type
- 2 = Increased water protection (splash resistant) - dry case
- 3 = With liquid filled case or ready-to-be filled
- 4 = Square or rectangular housing

DESIGN FEATURES

- 10 = Standard design - (lower mount connection in "100 series")
- 11 = Compressed gas gauges or small size stainless steel
- 12 = Standard design - (center back mount connection in "100 series")
- 13 = Liquid-filled ABS plastic case
- 15 = Special stainless steel gauge
- 20 = Heavy duty case, usually with bayonet ring, separate lens and increased dust and water spray protection
- 25 = Hinged ring design
- 30 = Solid-front, blow-out back case (safety case).
- 34 = Fiberglass reinforced thermoplastic case - "Process Gauge"
- 40 = Forged brass case.
- 41 = Special design for mining industry
- 50 = All stainless construction
- 52 = Gas density monitor or controller
- 53 = Stainless case, o-ring or welded connection to socket, crimped ring bezel
- 54 = Stainless case, o-ring or welded connection to socket, bayonet ring

SPECIAL FEATURES

Some products may have additional letters in the type code. This typically indicates a special feature or application

Ordering Guidelines for Pressure Gauges

1) “Quick Order” 7- or 8-Digit Part Numbers:

Example: 9834850

Use the part number for the instrument you wish to order.

If you need additional options, or don't see a part number referenced for the exact product you need, you may use “DESCRIPTIVE TEXT” as indicated below (see #2). **A 7-or 8-digit part number will be provided with your Order Confirmation.** The part number provided may then be used for re-ordering purposes.

2) Descriptive Text Part Number System:

Example:

<u>Standard Product Description Section</u>					<u>Additional Options & Accessories</u>
232.34	4.5	100 psi	1/2”	LM	SG, PM
(Typel #)	(Dial Size)	(Pressure Range)	(Process Conn. & Location)		(Additional Options / Accessories)

The above example would indicate a 4 1/2” process gauge, dry, 100 psi dial scale, 1/2” NPT connection, lower mount connection with the following selected options: safety glass (SG) and panel mount (PM), as indicated.

- Descriptive text can be used anytime you do not find an exact item with a listed part number. You may add as many codes at the end of the descriptive text as is required to configure the product.
- CODES and installed prices are found on a selection chart for each Model Type. Additional options may be located on the Accessory pages section in the back of the Catalog 700.
- Please reference the WIKA Type Number (pg. 7) for additional Model/Type information. WIKA Model Types may already determine many configurations for wetted parts and case fill.
- Options and Accessories should always appear at the end of the Descriptive Text, separated by commas. If you are not sure what to use for abbreviated code, then simply SPELL IT OUT.

NOTE: If you provide a part number and descriptive text, we will use the part number only.

If you are unclear, do not see the option(s) needed, or require ordering assistance, please contact a WIKA Customer Care or Technical Quote Team Representative.

Commercial Gauges

Commercial Gauges

Type 111.10

- **Black ABS Case**
- **Copper Alloy Wetted Parts**
- **Cost Effective Design**



WIKA Type 111.10 standard pressure gauges are designed for long and reliable service under rugged conditions. Some typical applications are for pumps, hydraulic and pneumatic systems, compressors, as a contractor's gauge, and for many other applications where the measured media does not corrode brass.

Standard Features

- **Nominal Case Size:** 1½" (40 mm), 2" (50 mm), 2½" (63 mm), 4" (100 mm)
- **Case Material:** Black ABS
- **Wetted Parts:** Copper alloy
- **Window Type & Material:** Snap-in, acrylic
- **Removable Window:** Yes, snap-off
- **Dial Material:** White plastic with stop pin (1½", 2", 2½"); white aluminum with stop pin (4")
- **Bezel Ring Type & Material:** N/A (available on steel case models, see page xx)
- **Liquid Fillable Gauge/Allowable Fill Types:** N/A
- **Case-to-Socket O-ring Material:** N/A
- **"Other" Gaskets/O-ring Types & Materials:** N/A
- **Pointer Material/Type:** (1½", 2", 2½") Black ABS plastic or aluminum-dependant on case; (4") aluminum
- **Accuracy Classification:** ± 3/2/3% of span, ASME B40.100 Grade B
- **Connection Locations:** LM (lower mount)
- **Media Operating Temperature:** Max. 140°F
- **Ambient Operating Temperature:** -40 to 140°F

Available Options

- "Dampened Movement" Option: Consult factory
- U-Clamp Bracket: No
- Front Flange: No
- Rear Flange: No
- Adjustable Pointer: Yes, 2" or 2½" only
- Restrictor: Yes
- Safety Glass Window: No
- Instrument Glass Window (flat glass): No (see steel case page 14)
- Drag Pointer (maximum reading indicator): No (see steel case page 14)
- Cleaned for Use in Oxygen Service: Yes
- Panel Mount Kit: No
- Magnetic or Inductive Contact Switches: No
- Receiver Gauge Scales: Yes
- Alternate Case Materials: Black painted steel, 304 stainless steel
- Special Connection: Limited wrench flat area

Note: for options not shown - consult your WIKA Distributor or contact factory.

Additional accessories available - see "Accessories" section in back of catalog

Note: Stock items shown in **bold, blue** print.

Type	111.10	
Data Sheet	111.10	
Size	1½"	
Connection	LM	
Conn. Size	1/8" NPT	
Press. Scale ¹	PSI	PSI/KG/CM ²
30" Hg	9747214	9692571
30"-0-15 psi		
30"-0-30 psi		
30"-0-60 psi		
30"-0-100 psi		
30"-0-160 psi		
30"-0-200 psi		
30"-0-300 psi		
30"-0-400 psi		
10 psi	N/A	N/A
15 psi	9747222	9692589
30 psi	9747230	9691915
60 psi	9747249	9692597
100 psi	9747257	9692601
160 psi	9747265	9692619
200 psi	9747273	9692627
300 psi		
400 psi		
600 psi		
800 psi		
1,000 psi		
1,500 psi		
2,000 psi		
3,000 psi		
5,000 psi		

Accessories (installed)²

Restrictor, brass	R
-------------------	---

¹PSI/KG/CM² denotes dual scale; PSI outside in black, KG/CM² inside in red. Note: Vacuum scale: 30"Hg outside in black; 760 mm Hg inside in red.

²Applies to any quantity when added to standard stock

Items without part numbers are available - consult factory.

Datasheet: 111.10

Type	111.10			
Datasheet	111.10			
Size	2"			
Connection	LM			
Conn. Size	1/8" NPT	1/4" NPT		
Press. Scale ¹	PSI	PSI	PSI/KPA	PSI/KG/CM ²
30" Hg	8990039	4252901	8990250	9692695
30"-0-15 psi				
30"-0-30 psi				
30"-0-60 psi				
30"-0-100 psi				
30"-0-160 psi				
30"-0-200 psi				
30"-0-300 psi		N/A		
30"-0-400 psi		N/A		
10 psi	N/A	N/A	N/A	N/A
15 psi	8990102	4252919	8990323	9692708
30 psi	8990110	4252927	8990331	9692716
60 psi	8990128	4252935	8990349	9692725
100 psi	8990136	4252943	8990357	9692733
160 psi	8990145	4252951	8990365	9692741
200 psi	8990153	4252960	8990374	9692759
300 psi	8990161	4252978	8990382	9692767
400 psi		4252986		
600 psi		4252994		9692775
800 psi				
1,000 psi		4253001		
1,500 psi				
2,000 psi				
3,000 psi		4253019		
5,000 psi				

Accessories (installed)

Restrictor, brass	R
-------------------	---

¹ "PSI/KPA" denotes dual scale; PSI outside in black, KPA inside in red.
 "PSI/KG/CM²" denotes dual scale; PSI outside in black, KG/CM² inside in red.
 Note: Vacuum scale: 30"Hg outside in black; 760 mm Hg inside in red.

Items without part numbers are available - consult factory.

Note: Stock items shown in **bold, blue** print.

Type	111.10			
Datasheet	111.10			
Size	2 1/2"			
Connection	LM			
Conn. Size	1/4" NPT			
Press. Scale ¹	PSI	PSI/KPA	PSI/KG/CM ²	PSI/KPA Polished Brass Case
30" Hg	4253027	8990471	9692903	8735980
30"-0-15psi	4253035	8990489	9692911	8735999
30"-0-30 psi	4253043	8990497	9692929	8736006
30"-0-60 psi	4253051	8990501	9692937	8736049
30"-0-100 psi	4253060	8990519	9692945	8736014
30"-0-160 psi	4253078	8990527	9692954	8736022
30"-0-200 psi	4253086	8990535	9692962	8736030
30"-0-300 psi	4260082	4260104		
30"-0-400 psi	4260091	4260111		
10 psi	N/A	N/A	N/A	N/A
15 psi	4253108	8990552	9692988	8736219
30 psi	4253116	8990560	9692996	8736227
60 psi	4253124	8990578	9693004	8736235
100 psi	4253132	8990586	9693012	8736243
160 psi	4253141	8990595	9693020	8736251
200 psi	4253159	8990608	9693038	8736260
300 psi	4253167	8990616	9693046	8736278
400 psi	4253175	8990625	9693055	8736286
600 psi	4253183	8990633	9693063	8736294
800 psi	4253191	8990641	9693071	8736308
1,000 psi	4253205	8990659	9693089	8738548
1,500 psi	4253213	8990667	9693097	8736464
2,000 psi	4253221	8990675	9693101	8736472
3,000 psi	4253230	8990684	9693119	8736480
5,000 psi	4253248	8990692	9693127	8736499

Accessories (installed)

Restrictor, brass	R
-------------------	---

¹ "PSI/KPA" denotes dual scale; PSI outside in black, KPA inside in red.
 "PSI/KG/CM²" denotes dual scale; PSI outside in black, KG/CM² inside in red.
 Note: Vacuum scale: 30"Hg outside in black; 760 mm Hg inside in red.

Note: Additional scales available; contact factory for more information.

Type	111.10		
Datasheet	111.10		
Size	4"		
Connection	LM		
Conn. Size	1/4" NPT		
Press. Scale ¹	PSI	PSI/KPA	PSI/KG/CM ²
30" Hg	4255900	9767991	9693437
30"-0-15 psi	4255918	9768009	
30"-0-30 psi	4255926	9768017	9693445
30"-0-60 psi	4255934	9768025	
30"-0-100 psi	4255942	9768033	
30"-0-160 psi	4255951	9768041	
30"-0-200 psi	4255969	9768050	
30"-0-300 psi	50337424		
30"-0-400 psi	4260091		
10 psi	N/A	N/A	N/A
15 psi	4255977	9768068	9693454
30 psi	4255985	9768076	9693462
60 psi	4255993	9768084	9693470
100 psi	4256000	9768092	9693488
160 psi	4256018	9768106	9693496
200 psi	4256026	9768114	9693500
300 psi	4256034	9768122	9693518
400 psi	4256042	9768130	9693526
600 psi	4256051	9768149	9693535
800 psi	4256060		
1,000 psi	4256078	9768416	9693543
1,500 psi	4256086		
2,000 psi	4256094		
3,000 psi	4256107		
5,000 psi	4256115		

Accessories (installed)²

Restrictor, brass	R
-------------------	---

¹PSI/KG/CM² denotes dual scale; PSI outside in black, KG/CM² inside in red. Note: Vacuum scale: 30"Hg outside in black; 760 mm Hg inside in red.
²Applies to any quantity when added to standard stock

Items without part numbers are available - consult factory.

Note: Stock items shown in **bold, blue** print.

Note: Additional scales available; contact factory for more information.

Type	111.10 Receiver Gauge Scales	
Datasheet	111.10	
Connection	LM	
Conn. Size	1/4" NPT	
Size	2 1/2"	4"
100%	8593094	8593221
10 sq. rt.	8593108	8593230

Commercial Gauges

Type 111.10SP

- Fire Sprinkler Gauge
- Polycarbonate Case
- & FM Approved



WIKA Type 111.10SP 4" gauges are specifically designed for fire sprinkler service. This gauge features a black polycarbonate case, polycarbonate window, and brass wetted parts. They are UL and FM approved for fire sprinkler service and have a standard accuracy of $\pm 3/2/3\%$ of span.

Standard Features

- **Nominal Case Size:** 4" (100 mm)
- **Case Material:** Black polycarbonate
- **Wetted Parts:** Copper alloy
- **Window Type & Material:** Snap-in polycarbonate
- **Removable Window:** Yes, snap-off
- **Dial Material:** White aluminum with stop pin, black & red markings
- **Bezel Ring Type & Material:** N/A
- **Liquid Fillable Gauge:** No
- **Case-to-Socket O-ring Material:** N/A
- **"Other" Gaskets/O-ring Types & Materials:** N/A
- **Pointer Material/Type:** Black aluminum
- **Adjustable Pointer:** N/A
- **Accuracy:** $\pm 3/2/3\%$ of span ASME B40.100 Grade B
- **Connection Locations:** LM (lower mount)
- **Media Operating Temperature:** Max. 140°F
- **Ambient Operating Temperature:** -40 to 140°F

Available Options (Not all options are UL or FM approved)

- "Dampened Movement" Option: No
- U-Clamp Bracket: No
- Front Flange: No
- Rear Flange: No
- Restrictor: Yes
- Safety Glass Window: No
- Instrument Glass Window (flat glass): Yes
- Drag Pointer (maximum reading indicator): No
- Cleaned for Use in Oxygen Service: Yes
- Panel Mount Kit: No
- Magnetic or Inductive Contact Switches: No
- Receiver Gauge Scales: No

Note: For options not shown - consult your WIKAI Distributor or the factory.

Additional accessories available - see "Accessories" section in back of catalog

Datasheet: 111.10SP

Type	111.10SP
Datasheet	111.10SP
Size	4"
Connection	LM
Conn. Size	1/4" NPT
Press. Scale	PSI
300 psi "WATER"	4233761
80 psi retard to 250 psi "AIR"	4233779
Accessories (installed)¹	
Restrictor, brass	R

¹Applies to any quantity when added to standard stock gauges.

Items without part numbers are available - consult factory.

UL-393 Listed

Factory Mutual Approved

Commercial Gauges

Type 111.10 & 111.12

- **Black Painted Steel Case**
- **Copper-Alloy Wetted Parts**
- **Durable Design**



WIKA Type 111.10 (lower mount) and 111.12 (center back mount) commercial gauges are available in a black painted steel case. These gauges are perfect for applications demanding a metal case whether installed inside equipment or as a standalone. The 111.10 and 111.12 are well-suited for pumps, compressors, regulators, valve positioners, hydraulics, medical industry, filtration, and food & beverage industry.

Standard Features

- **Nominal Case Size:** 1½" (41 mm), 2" (53 mm), 2½" (68 mm)
- **Case Material:** Black-painted steel
- **Wetted Parts:** Copper alloy
- **Window Type & Material:** Snap-in, acrylic
- **Removable Window:** Yes, snap-off
- **Dial Material:** White aluminum
- **Bezel Ring Type & Material:** No (optional)
- **Liquid Fillable Gauge:** No
- **Case-to-Socket O-ring Material:** N/A
- **"Other" Gaskets/O-ring Types & Materials:** N/A
- **Pointer Material/Type:** Black aluminum
- **Adjustable Pointer:** N/A
- **Accuracy:** ± 3/2/3% of span ASME B40.100 Grade B
- **Connection Locations:** LM (lower lount), CBM (center back mount)
- **Media Operating Temperature:** Max. 140°F
- **Ambient Operating Temperature:** -40 to 140°F

Available Options

- “Dampened Movement” Option: Consult factory
- U-Clamp Bracket: Yes (111.12)
- Front Flange: Yes (111.12)
- Rear Flange: No
- Restrictor: Yes
- Safety Glass Window: No
- Instrument Glass Window (flat glass): Yes
- Drag Pointer (maximum reading indicator): Yes, 2½" only
- Cleaned for Use in Oxygen Service: Yes
- Panel Mount Kit: Yes (see front flange option)
- Magnetic or Inductive Contact Switches: No
- Receiver Gauge Scales: Yes

Note: For options not shown - consult your WIKA Distributor or the Factory.

Additional accessories available -
see "Accessories" section in back of catalog

Datasheets: 111.10 & 111.12

Type	111.10/111.12							
Datasheet	111.10 & 111.12							
Size	1½" (40mm)		2" (50mm)				2½" (63mm)	
Connection	LM	CBM	LM	LM	CBM	CBM	LM	CBM
Conn. Size	1/8" NPT	1/8" NPT	1/8" NPT	¼" NPT	1/8" NPT	¼" NPT	¼" NPT	¼" NPT
Press. Scale	PSI	PSI	PSI	PSI	PSI	PSI	PSI	PSI
30" Hg	4301889	4301838	4302141	4302192	4301927	4302001	4302397	4302290
15 psi	4301897	4301846	4302150	4302206	4301935	4302010	4302401	4302303
30 psi	9422277	4234090	4302168	4302214	4301943	4302028	4302443	4302311
60 psi	9484213	4301854	9835695	4302222	4301951	4302036	8991138	4302320
100 psi	9204792	4301862	9798331	4302231	4301960	4302044	8991146	4302338
160 psi	4301901	4233395	8991669	4302249	4301978	4302052	4302419	4302346
200 psi	4301919	4301871	4302176	4302257	4301986	4302061	8991162	4302354
300 psi			4302184	4302265	4301994	4302079	4302427	4302362
400 psi				4302273		4302087	4302435	4302371
600 psi				4302281		4302095	8991189	4302389

Accessories (installed) Applies to any quantity when added to standard stock gauges.

Restrictor, brass	R							
Friction ring, black steel	FR ST	FR ST	FR ST				FR ST	
Friction ring, polished SS	FR SS	FR SS	FR SS				FR SS	
FF, black steel	N/A		N/A		FF B		FF B	
FF, chrome steel	N/A		N/A		FF C		FF C	

Items without part numbers are available - consult factory.

Note: Stock items shown in **bold, blue** print.

Commercial Gauges

Type 111.12

- **Black ABS Case**
- **Copper Alloy Wetted Parts**
- **Center Back Mount**



WIKA Type 111.12 gauges feature a black plastic case, snap-in plastic window, and a center back mount (CBM) rear connection. With an industry recognized ASME 3/2/3% of span accuracy, WIKA Type 111.12 gauges are the industry standard in the commercial gauge line. Available in a variety of sizes, mounting styles and optional configurations, Type 111.12 gauges are suitable for many tough applications including regulators, medical, pneumatic controllers, compressors, valve positioners, and pumps.

Standard Features

- **Nominal Case Size:** 1½" (41 mm), 2" (53 mm), 2½" (68 mm), 3½" (94mm), 4" (100 mm)
- **Case Material:** Black ABS
- **Wetted Parts:** Copper alloy
- **Window Type & Material:** Snap-in polycarbonate (threaded polycarbonate for 3½")
- **Removeable Window:** Yes, snap-off
- **Dial Material:** White plastic with stop pin (1½", 2"); white aluminum with stop pin (3½", 4"); aluminum or plastic-case dependant (2½")
- **Bezel Ring Type & Material:** See steel case on page 14
- **Liquid Fillable Gauge:** No
- **"Other" Gaskets/O-ring Types & Materials:** N/A
- **Pointer Material/Type:** 1½", 2", 2½"- Black ABS; 3½", 4"- black aluminum
- **Adjustable Pointer:** No
- **Accuracy:** ± 3/2/3% of span ASME B40.100 Grade B
- **Connection Locations:** CBM (center back mount)
- **Ambient Operating Temperature:** -40 to 140°F

Available Options

- “Dampened Movement” Option: Consult factory
- U-Clamp Bracket: No (see steel case on page 14)
- Front Flange: Yes
- Rear Flange: No
- Restrictor: Yes
- Safety Glass Window: No
- Instrument Glass Window (flat glass): No (see steel case on page 14)
- Drag Pointer (maximum reading indicator): No (see steel case on page 14)
- Cleaned for Use in Oxygen Service: Yes
- Panel Mount Kit: Yes (see front flange option)
- Magnetic or Inductive Contact Switches: No
- Receiver Gauge Scales: Yes

Note: For options not shown - consult your WIKA Distributor or the Factory.

Additional accessories available - see "Accessories" section in back of catalog

Datasheet: 111.12

Type	111.12	
Datasheet	111.12	
Size	1½"	
Connection	CBM	
Conn. Size	1/8" NPT	
Press. Scale ¹	PSI	PSI/KG/CM ²
30" Hg	9690128	9692635
30"-0-15 psi		
30"-0-30 psi		
30"-0-60 psi		
30"-0-100 psi		
30"-0-160 psi		
30"-0-200 psi		
30"-0-300 psi		
30"-0-400 psi		
10 psi	N/A	N/A
15 psi	9690209	9692644
30 psi	9690217	9691923
60 psi	9690225	9692652
100 psi	9690234	9692660
160 psi	9690242	9692678
200 psi	9690250	9692686
300 psi		
400 psi		
600 psi		
800 psi		
1,000 psi		
1,500 psi		
2,000 psi		
3,000 psi		
5,000 psi		

Accessories (installed)²

Restrictor, brass	R
-------------------	---

¹"PSI/KG/CM²" denotes dual scale; PSI outside in black, KG/CM² inside in red. Note: Vacuum scale: 30"Hg outside in black; 760 mm Hg inside in red.

²Applies to any quantity when added to standard stock

Items without part numbers are available - consult factory.

Note: Stock items shown in **bold, blue** print.

Type	111.12			
Datasheet	111.12			
Size	2"			
Connection	CBM			
Conn. Size	1/8" NPT	¼" NPT		
Press. Scale ¹	PSI	PSI	PSI/KPA	PSI/KG/CM ²
30" Hg	9690357	4253256	9690586	9692784
30"-0-15 psi				
30"-0-30 psi				
30"-0-60 psi				
30"-0-100 psi				
30"-0-160 psi				
30"-0-200 psi				
30"-0-300 psi				
30"-0-400 psi				
10 psi	N/A	N/A	N/A	
15 psi	9690438	4253264	9690667	9692792
30 psi	9690446	4253272	9690675	9692805
60 psi	9690455	4253281	9690684	9692814
100 psi	9690463	4253290	9690692	9692822
160 psi	9690471	4253302	9690705	9692830
200 psi	9690489	4253311	9690714	9692848
300 psi	9690497	4253329	9690722	9692856
400 psi		4253337		9692873
600 psi		4253345		
800 psi				
1,000 psi		4253353		9692881
1,500 psi				
2,000 psi				
3,000 psi		4253361		9692899
5,000 psi				

Accessories (installed)

Applies to any quantity when added to standard stock gauges.

FF, black steel ²	FF B
FF, chrome steel ²	FF C
Restrictor, brass	R

Type 111.12	Receiver Gauge Scales		
Conn. Size	¼" NPT		
Size	2½"	3½"	4"
Connection	CBM	CBM/UC	CBM
100	8593086	9790238	8593213
10 sq. rt.	8593078		8593205

¹ "PSI/KPA" denotes dual scale; PSI outside in black, KPA inside in red.

² "PSI/KG/CM²" denotes dual scale; PSI outside in black, KG/CM² inside in red.

Note: Vacuum scale: 30"Hg outside in black; 760 mm Hg inside in red.

² Metal flange attached with screws to standard ABS case.

Type	111.12					
Datasheet	111.12					
Conn. Size	¼" NPT					
Connection	CBM		CBM/UC			CBM
Size	2½"		2½"		3½"	4" Black Steel
Press. Scale ¹	PSI	PSI/KPA	PSI/KPA	PSI/KG/CM ²	PSI	PSI/KG/CM ²
30" Hg	4253371	9691035	9311887	9693356	9790009	
30"-0-15 psi	4253389	9691044			N/A	
30"-0-30 psi	4253397	9691052			N/A	
30"-0-60 psi	4253400	9691060				
30"-0-100 psi	4253418	9691078				
30"-0-160 psi	4253426	9691086				
30"-0-200 psi	4253434	9691095				
30"-0-300 psi					4260121	
30"-0-400 psi					4260139	
10 psi	N/A	N/A	N/A	N/A	N/A	N/A
15 psi	4253451	9691116			9790085	9693577
30 psi	4253460	9691125	9311895	9693365	9790093	9693585
60 psi	4253478	9691133	9311909	9693373	9790106	9693594
100 psi	4253486	9691141	9311925	9693381	9790115	9693607
160 psi	4253494	9691159	9311934	9693399	9790123	9693615
200 psi	4253507	9691167	9311942	9693403	9790131	9693624
300 psi	4253515	9691175	9311917	9693411	9790149	9693632
400 psi	4253523	9691184				9693640
600 psi	4253531	9691192	9311950	9693429	9790165	9693658
800 psi	4253541	9691205			N/A	9693666
1,000 psi	4253559	9691214			N/A	9693675
1,500 psi	4253567	9691222			N/A	
2,000 psi	4253575	9691230			N/A	
3,000 psi	4253583	9691248			N/A	
5,000 psi	4253591	9691256			N/A	

Notes:

- This table includes 111.12 U-clamp models as indicated.
- 2½" & 3½" u-clamp gauges feature a black-painted steel case. 2½" features a chrome-plated steel profile ring and glass window. 3½" features a twist-on polycarbonate window.
- Additional scales available: contact factory for additional information

Accessories (installed) Applies to any quantity when added to standard stock gauges.

FF, black Steel ²	FF B	N/A	N/A	N/A	N/A
FF, chrome plated steel ²	FF C	N/A	N/A	N/A	FF C
Restrictor, brass	R				

¹ "PSI/KPA" denotes dual scale; PSI outside in black, KPA inside in red. "PSI/KG/CM²" denotes dual scale; PSI outside in black, KG/CM² inside in red. Note: Vacuum scale: 30"Hg outside in black; 760 mm Hg inside in red.

² Metal flange attached with screws to standard ABS case.

Items without part numbers are available - consult factory.

Note: Stock items shown in **bold, blue** print.

Commercial Gauges

Type 111.11

- **Compressed Gas Gauges**
- **Copper Alloy Wetted Parts**
- **UL Listed**



WIKA Type 111.11 gauges are designed for use with compressed gases, such as those used in the welding industry. The low copper content of the Bourdon tube for pressure ranges 800 psi and below makes it safe for use with acetylene. All Type 111.11 gauges are cleaned to ASME B40.100 Level IV. "USE NO OIL" is printed in red on the face of each dial, making them safe for use with oxygen.

Standard Features

- **Nominal Case Size:** 1½" (41 mm), 2" (53 mm), 2½" (68 mm)
- **Case Material:** Polished brass or gold-painted steel
- **Wetted Parts:** Copper alloy
- **Window Type & Material:** Twist-lock polycarbonate
- **Removable Window:** Yes, twist-off
- **Dial Material:** White aluminum
- **Bezel Ring Type & Material:** N/A
- **Liquid Fillable Gauge:** No
- **Case-to-Socket O-ring Material:** N/A
- **"Other" Gaskets/O-ring Types & Materials:** N/A
- **Pointer Material/Type:** Black aluminum
- **Adjustable Pointer:** No
- **Accuracy:** ± 3/2/3% of span ASME B40.100 Grade B
- **Connection Locations:** LM (lower mount)
CBM (center back mount): available for 1½" & 2"
- **Media Operating Temperature:** Max. 140°F
- **Ambient Operating Temperature:** -40 to 140°F

Available Options

- "Dampened Movement" Option: No
- U-Clamp Bracket: No
- Front Flange: No
- Rear Flange: No
- Restrictor: Yes (standard for ranges 100 psi and up)
- Safety Glass Window: No
- Instrument Glass Window (flat glass): No
- Drag Pointer (maximum reading indicator): No
- Cleaned for Use in Oxygen Service: Yes (standard)
- Panel Mount Kit: No
- Magnetic or Inductive Contact Switches: No
- Receiver Gauge Scales: No

Note: For options not shown - consult your WIKA Distributor or the Factory.

Datasheet: [111.11](#)

Type	111.11				
Datasheet	111.11				
Connection	LM				
Press. Scale	PSI				
Case	Steel, Gold Painted			Polished Brass	
Conn. Size	1/8" NPT	1/4" NPT	1/4" NPT	1/4" NPT	1/4" NPT
Size	1½"	2"	2½"	2"	2½"
15 psi					
30 psi				8611009	8610851
30 psi Red Band	8079633	8985025	8985030	8611017	8610860
60 psi				8611025	8610878
100 psi	8079650	8985026	8985031	8611033	8610886
200 psi		8985027	8985032	8611041	8610894
400 psi	9735232	8985028	8985033	8611050	8610908
600 psi				8611076	8610924
1,000 psi				8611084	8610932
1,500 psi					
2,000 psi				8611106	8610959
3,000 psi				8611122	8610967
4,000 psi	8079617	8985029	8985034	8611114	8610975
6,000 psi	N/A			4245751	
Accessories (installed)²					
Restrictor, brass	R				

¹PSI/KG/CM² denotes dual scale; PSI outside in black, KG/CM² inside in red. Note: Vacuum scale: 30"Hg outside in black; 760 mm Hg inside in red.

²Applies to any quantity when added to standard stock

Items without part numbers are available - consult factory.

Note: Stock items shown in **bold, blue** print.

UL-252A Listed

for ranges 30 psi to 1,000 psi

UL-404 Listed

for ranges 1,500 psi to 6,000 psi

Additional accessories available - see "Accessories" section in back of catalog

Commercial Gauges

Type 111.11RF

- Refrigeration Gauges
- Flutterless Movement
- Blue or Red Case



WIKA Type 111.11RF gauges are designed as replacement gauges on refrigerant test manifolds. A special movement design eliminates fluttering which makes the gauge easy to read. Refrigerant temperature scales for R12, R22, and R502 are printed directly on the dial. A restrictor is standard on every gauge.

Standard Features

- **Nominal Case Size:** 2½" (68 mm)
- **Case Material:** Blue or red ABS
- **Wetted Parts:** Copper alloy
- **Window Type & Material:** Twist-lock polycarbonate
- **Removable Window:** No
- **Dial Material:** White aluminum
- **Bezel Ring Type & Material:** N/A
- **Liquid Fillable Gauge:** No
- **Case-to-Socket O-ring Material:** N/A
- **"Other" Gaskets/O-ring Types & Materials:** N/A
- **Pointer Material/Type:** Black aluminum
- **Adjustable Pointer:** Yes, zero adjustment screw on dial
- **Accuracy:** ± 1/2/5% of span
- **Connection Locations:** LM (lower mount)
- **Media Operating Temperature:** Max. 150°F
- **Ambient Operating Temperature:** -40 to 150°F

Available Options

- "Dampened Movement" Option: No (special "flutterless" movement standard)
- U-Clamp Bracket: No
- Front Flange: No
- Rear Flange: No
- Restrictor: Yes, standard
- Safety Glass Window: No
- Instrument Glass Window (flat glass): No
- Drag Pointer (maximum reading indicator): No
- Cleaned for Use in Oxygen Service: No
- Panel Mount Kit: No
- Magnetic or Inductive Contact Switches: No
- Receiver Gauge Scales: No

Also available in 213.53 red & blue ss case type with ext. 0 adjustment.
Call factory.

Note: For options not shown - consult your WIKA Distributor or the Factory.

Type	111.11RF	
Datasheet	111.11RF	
Size	2½" (68 mm)	
Connection	LM	
Conn. Size	1/8" NPT	
Press. Scale	PSI & R12, R22, R502	PSI & R134A
30" Hg/0/120 psi		
Retard to 350 psi	4239165	4258526
Blue ABS Case		
500 psi red	4239173	4258534
ABS Case		

Items without part numbers are available - consult factory.

Additional accessories available - see "Accessories" section in back of catalog

Datasheet: 111.11RF

Commercial Gauges

Type 111.16PM



- **U-clamp Panel Mounting for U.S. size**
- **Black ABS Case**
- **Copper Alloy Wetted Parts**

WIKA Type 111.16PM gauges are designed for u-clamp panel mounting. They feature a black ABS case and low friction Swiss movement to insure a long, reliable service life. The 111.16PM design fits into U.S. size panel cut-outs.

Standard Features

- **Nominal Case Size:** 1½" (41 mm), 2" (53mm)
- **Case Material:** Black ABS
- **Wetted Parts:** Copper alloy
- **Window Type & Material:** Snap-in, acrylic
- **Removable Window :** No
- **Dial Material:** White ABS
- **Bezel Ring Type & Material:** Stainless steel polished, crimped on
- **Liquid Fillable Gauge:** No
- **Case-to-Socket O-ring Material:** N/A
- **"Other" Gaskets/O-ring Types & Materials:** N/A
- **Pointer Material/Type:** Black ABS
- **Adjustable Pointer:** N/A
- **Accuracy:** ± 3/2/3% ASME B40.100 Grade B
- **Connection Locations:** CBM/UC (center back mount with U-clamp)
- **Media Operating Temperature:** Max. 140°F
- **Ambient Operating Temperature:** -40 to 140°F

Available Options

- "Dampened Movement" Option: Consult factory
- U-Clamp Bracket: Standard, steel zinc plated
- Front Flange: No
- Rear Flange: No
- Restrictor: Yes
- Safety Glass Window: No
- Instrument Glass Window (flat glass): No
- Drag Pointer (maximum reading indicator): No
- Cleaned for Use in Oxygen Service: Yes
- Panel Mount Kit: Standard (see u-clamp bracket option)
- Magnetic or Inductive Contact Switches: No
- Receiver Gauge Scales: Yes
- Special Connection: Limited to wrench flat area

Note: For options not shown - consult your WIKA Distributor or the Factory.

Additional accessories available - see "Accessories" section in back of catalog

Datasheet: 111.16PM

Type	111.16PM		
Datasheet	111.16PM		
Connection	CBM / UC		
Conn. Size	1/8" NPT	1/8" NPT	1/4" NPT
Size	1½"	2"	2"
Press. Scale ¹	PSI	PSI	PSI/KPA
30" Hg	4231279	4231341	4231422
30"-0-15 psi			
30"-0-30 psi			
30"-0-60 psi			
30"-0-100 psi			
30"-0-160 psi			
30"-0-200 psi			
15 psi	4231287	4231350	4231431
30 psi	4231295	4231368	4231449
60 psi	4231309	4231376	4231457
100 psi	4231317	4231384	4231465
160 psi	4231325	4231392	4231473
200 psi	4231333	4231406	4231481
300 psi		4231414	4231490
400 psi			
600 psi			
800 psi			
1,000 psi			
1,500 psi			
2,000 psi			
3,000 psi			
5,000 psi			

Accessories (installed)²

Restrictor, brass	R
-------------------	---

¹PSI/KG/CM² denotes dual scale; PSI outside in black, KG/CM² inside in red. Note: Vacuum scale: 30"Hg outside in black; 760 mm Hg inside in red.

²Applies to any quantity when added to standard stock

Items without part numbers are available - consult factory.

Note: Stock items shown in **bold, blue** print.

Commercial Gauges

Type 111.11PM

- Gauges for Standard U.S. Size U-clamp Panel Mounting
- Black ABS Case
- Copper Alloy Wetted Parts



WIKA Type 111.11PM gauges are designed for 2½" U-clamp panel mounting. They feature a black ABS case and low friction Swiss movement to insure a long, reliable service life. The 111.11PM design fits into 2½" U.S. size panel cut-outs. Refrigeration scale available (as shown) for HVAC applications.

Standard Features

- **Nominal Case Size:** 2½" (68 mm)
- **Case Material:** Black ABS
- **Wetted Parts:** Copper alloy
- **Window Type & Material:** Twist-lock polycarbonate
- **Removable Window:** Yes, twist-off
- **Dial Material:** White aluminum
- **Bezel Ring Type & Material:** N/A
- **Liquid Fillable Gauge:** No
- **Case-to-Socket O-ring Material:** N/A
- **"Other" Gaskets/O-ring Types & Materials:** N/A
- **Pointer Material/Type:** Black brass
- **Adjustable Pointer:** Yes, zero adjustment screw on dial
- **Accuracy:** ± 3/2/3% ASME B40.100 Grade B
- **Connection Locations:** CBM/UC (center back mount with U-clamp)
- **Media Operating Temperature:** Max. 140°F
- **Ambient Operating Temperature:** 140°F

Available Options

- “Dampened Movement” Option: Consult factory
- U-Clamp Bracket: Standard
- Front Flange: No
- Rear Flange: No
- Restrictor: Yes
- Safety Glass Window: No
- Instrument Glass Window (flat glass): No
- Drag Pointer (maximum reading indicator): No
- Cleaned for Use in Oxygen Service: Yes
- Panel Mount Kit: Standard (see U-clamp option)
- Magnetic or Inductive Contact Switches: No
- Receiver Gauge Scales: No
- Special Connection: Limited to wrench flat area

Note: For options not shown - consult your WIKA Distributor or the Factory.

Additional accessories available - see "Accessories" section in back of catalog

Datasheet: 111.11PM

Type	111.11PM	
Datasheet	111.11PM	
Connection	CBM / UC	
Conn. Size	¼" NPT	
Size	2½"	
Press. Scale ¹	PSI	PSI/KG/CM ²
30" Hg	4260865	4260962
30"-0-15 psi		
30"-0-30 psi	4260873	4260971
30"-0-60 psi		
30"-0-100 psi	4260881	4260989
30"-0-160 psi		
30"-0-200 psi		
15 psi	4260890	4260997
30 psi	4260902	4261003
60 psi	4260911	4261011
100 psi	4260920	4261020
160 psi	4260938	4261038
200 psi	4260946	4261046
300 psi	4260954	4261054
400 psi		
600 psi		4261062
800 psi		
1,000 psi		4261071
1,500 psi		4261089
2,000 psi		4261097
3,000 psi		4261101
5,000 psi		4261119

Accessories (installed)²

Restrictor, brass	R
-------------------	---

¹PSI/KPA" denotes dual scale; PSI outside in black, KPA inside in red. "PSI/KG/CM²" denotes dual scale; PSI outside in black, KG/CM² inside in red. Note: Vacuum scale: 30" Hg outside in black; 760 mm Hg inside in red.

²Applies to any quantity when added to standard stock

Items without part numbers are available - consult factory.

Note: Stock items shown in **bold, blue** print.

Commercial Gauges

Type 111.25CT



- Contractor's Gauge
- Stainless Steel Case
- Copper Alloy Wetted Parts
- ±1.0% of Span

WIKA Type 111.25CT 4½" gauges are specifically designed for the HVAC market as a Contractor's Gauge. This gauge features a stainless steel case, brass wetted parts, and an adjustable pointer. Contractor's gauges are designed for static applications and may not be well-suited to high vibration and pulsation applications.

Standard Features

- **Nominal Case Size:** 4½" (115 mm)
- **Case Material:** Stainless steel- matte finish
- **Wetted Parts:** Copper alloy
- **Window Type & Material:** Snap-in, acrylic
- **Removable Window:** Yes, snap-off
- **Dial Material:** White aluminum
- **Bezel Ring Type & Material:** N/A
- **Liquid Fillable Gauge:** No
- **Case-to-Socket O-ring Material:** N/A
- **"Other" Gaskets/O-ring Types & Materials:** N/A
- **Pointer Material/Type:** Black aluminum- adjustable
- **Adjustable Pointer:** Yes
- **Accuracy:** ± 1% ASME B40.100 Grade 1A
- **Connection Locations:** LM (lower mount)
- **Media Operating Temperature:** Max. 140°F
- **Ambient Operating Temperature:** -40 to 140°F

Available Options

- "Dampened Movement" Option: N/A
- U-Clamp Bracket: N/A
- Front Flange: N/A
- Rear Flange: Yes
- Restrictor: Yes
- Safety Glass Window: N/A
- Instrument Glass Window (flat glass): N/A
- Drag Pointer (maximum reading indicator): N/A
- Cleaned for Use in Oxygen Service: Yes
- Panel Mount Kit: N/A
- Magnetic or Inductive Contact Switches: N/A
- Receiver Gauge Scales: N/A
- Special Connection: Limited to wrench flat area

Note: For options not shown - consult your WIKA Distributor or the Factory.

Type	111.25CT	
Datasheet	111.25CT	
Size	4½"	
Connection	LM	
Conn. Size	¼" NPT	
Press. Scale ¹	PSI	PSI/KPA
30" Hg		
30"-0-15 psi	4277687	4277849
30"-0-30 psi	4277695	4277857
30"-0-60 psi	4277709	4277865
30"-0-100 psi	4277717	4277873
30"-0-160 psi	4277725	4277881
30"-0-200 psi	4277733	4277890
30"-0-300 psi	4277741	4277903
15 psi	4277750	4277911
30 psi	4277768	4277920
60 psi	4277776	4277938
100 psi	4277784	4277946
160 psi	4277792	4277954
200 psi	4277806	4277962
300 psi	4277814	4277971
400 psi	4277822	4277989
600 psi	4277831	4277997

Accessories (installed)²

RF SS, satin finish	RF
Restrictor, brass	R

¹PSI/KPA" denotes dual scale; PSI outside in black, KPA inside in red. Note: Vacuum scale: 30" Hg outside in black; 760 mm Hg inside in red.

²Applies to any quantity when added to standard stock gauges.

Items without part numbers are available - consult factory.

Note: Stock items shown in **bold, blue** print.

Additional accessories available - see "Accessories" section in back of catalog

Datasheet: 111.25CT

Commercial Gauges

Type 113.13



- **Copper Alloy Wetted Parts**
- **Black ABS Case**
- **Glycerine-Filled**

The WIKAI Type 113.13 gauge is the ideal choice for O.E.M. and general industrial applications requiring an economical, liquid-filled pressure gauge. The glycerine fill liquid dampens the Bourdon tube and reduces wear of the movement, extending gauge life. Typical applications of the Type 113.13 include air compressors, hydraulic presses, pumps, marine engines, as well as other types of industrial hydraulic and pneumatic equipment.

Standard Features

- **Nominal Case Size:** 1½" (41 mm), 2½" (68 mm)
2" (53 mm) available in both LM & CBM
- **Case Material:** Black ABS
- **Wetted Parts:** Copper alloy
- **Window Type & Material:** Plastic- ultrasonically welded to case
- **Removable Window:** No
- **Dial Material:** White plastic
- **Bezel Ring Type & Material:** N/A
- **Liquid Fillable Gauge:** Yes, standard
- **Case-to-Socket O-ring Material:** EPDM
- **"Other" Gaskets/O-ring Types & Materials:** No
- **Pointer Material/Type:** Black ABS
- **Adjustable Pointer:** No
- **Accuracy :** ± 3/2/3% ASME B40.100 Grade B
- **Connection Locations:** LM (lower mount) & CBM (center back mount)
- **Media Operating Temperature:** Max. 140°F
- **Ambient Operating Temperature:** -4 to 140°F

Available Options

- "Dampened Movement" Option: No (liquid fill standard)
- U-Clamp Bracket: Yes, 2", 2½" only
- Front Flange: Yes, 2½" only
- Rear Flange: N/A
- Restrictor: Yes
- Safety Glass Window: N/A
- Instrument Glass Window (flat glass): N/A
- Drag Pointer (maximum reading indicator): N/A
- Cleaned for Use in Oxygen Service: No
- Panel Mount Kit: Yes (see U-clamp & front flange option)
- Magnetic or Inductive Contact Switches: N/A
- Receiver Gauge Scales: N/A
- Special Connections: Limited to wrench flat area

Note: For options not shown - consult your WIKAI Distributor or the Factory.

Additional accessories available - see "Accessories" section in back of catalog

Datasheet: 113.13

Type	113.13		
Datasheet	113.13		
Press. Scale	PSI		
Size	1½"	2½"	
Conn. Size	1/8" NPT	¼" NPT	
Connection	CBM	LM	CBM
30" Hg		9677909	9693289
30"-0-15 psi			
30"-0-30 psi		9677925	
30"-0-60 psi		9677933	
30"-0-100 psi		9677941	
30"-0-160 psi		9677950	
30"-0-200 psi		9677968	
15 psi		9677976	9693351
30 psi	9738240	9677984	9693360
60 psi	9738258	9677992	9693378
100 psi	9738266	9678000	9693386
160 psi	9738274	9678018	9693394
200 psi		9693726	9693408
300 psi		9693734	9693416
400 psi		9693742	9693424
600 psi		9693750	9693432
800 psi			
1,000 psi		9693777	9693459
1,500 psi		9693785	9693467
2,000 psi		9693793	9693475
3,000 psi		9693807	9693483
5,000 psi		9693815	9693491

Accessories (installed)¹

FF, black ABS plastic	N/A	N/A	FF
UC, steel bracket	N/A	N/A	UC
Restrictor, brass	R		

¹Applies to any quantity when added to standard stock gauges.

Items without part numbers are available - consult factory.

Note: Stock items shown in **bold, blue** print.

Additional 100 Series (111.10 & 111.12) Options & Accessories

Code	Description	Size
UC	U-clamp ¹	1-1/2", 2", 2-1/2"
SS CASE	Stainless steel case	
GLS	Glass window ¹	
SG	Safety glass window ¹	2-1/2" only
DP	Red drag pointer ¹	2-1/2" only
SETP	Red set pointer	
TAP	10-32 internal tap	
COVER	Protective rubber cover	2-1/2" only
HIGH	Increased accuracy ² +/- 2/1/2 %	

Notes: ¹) Includes black painted steel case. (See steel case version on page 14)

²) Percentage of full span.

Industrial & Process Gauges

Industrial Gauges

Type 131.11



- **Stainless Steel Case**
- **Stainless Steel Wetted Parts**
- **Small Size for Limited Mounting Area**

Type 131.11 gauges feature 316 stainless steel wetted parts, a 304 stainless steel case, and a snap-in, acrylic window. When installation space is limited and stainless steel wetted parts are needed, WIKAI Type 131.11 is the best choice. The stainless steel construction also make these gauges ideal for harsh environments.

Standard Features

- **Nominal Case Size:** 1½" (41 mm), 2" (53 mm)
2½" (63 mm)
- **Case Material:** 304 stainless steel - matte finish
- **Wetted Parts:** 316 stainless steel
- **Window Type & Material:** Snap-in, polycarbonate
- **Removable Window:** Yes, snap-off
- **Dial Material:** White aluminum
- **Bezel Ring Type & Material:** Yes (on request)
- **Liquid Fillable Gauge:** No
- **Case-to-Socket O-ring Material:** N/A
- **"Other" Gaskets/O-ring Types & Materials:** N/A
- **Pointer Material/Type:** Black aluminum
- **Adjustable Pointer:** No
- **Accuracy:** ± 2.5% of span
- **Connection Locations:** LM (lower mount) & CBM (Center back mount)
- **Media Operating Temperature:** Max. 212°F
- **Ambient Operating Temperature:** -40 to 140°F

Available Options

- "Dampened Movement" Option: No
- U-Clamp Bracket: Yes
- Front Flange: Yes
- Rear Flange: Yes
- Restrictor: Yes
- Safety Glass Window: No
- Instrument Glass Window (flat glass): Yes (in combination with bezel ring only)
- Drag Pointer (maximum reading indicator): No
- Cleaned for Use in Oxygen Service: Yes
- Panel Mount Kit: No
- Magnetic or Inductive Contact Switches: Yes, 2" size
- Receiver Gauge Scales: No
- Special Connections: Limited to wrench flat area

Note: For options not shown - consult your WIKAI Distributor or the Factory.

Type	131.11									
Data Sheet	131.11									
Press. Scale	PSI									
Conn. Size	1/8" NPT					1/4" NPT				
Size	1½"		2"		2"		2½"			
Connection	LM	CBM	LM	CBM	LM	CBM	LM	CBM	LM	CBM
30" Hg	N/A	N/A								
30"-0-15 psi					8993241	8993259				
30"-0-30 psi										
30"-0-60 psi					8993267	8993275				
30"-0-100 psi					8993284	8993292				
30"-0-160 psi					8993305	8993314				
30"-0-200 psi										
15 psi	N/A	N/A								50343301
30 psi	9117946	9118128	9118063	9117970	9118039	9117903	50330519			
60 psi	9117938	9118101	9118071	9117989	9118020	9117890	50079727			
100 psi	9117920	9118098	9118055	9117962	9118012	9117881	50349163			
160 psi	9117911	9118080	9118047	9117954	9117997	9117865	50196804	50343297		
200 psi							50343319			
300 psi							50330489			
400 psi										
600 psi						8993330				
800 psi										
1,000 psi									50330446	
1,500 psi										
2,000 psi										
3,000 psi					8993348	8993356	50365428			
5,000 psi										
10,000 psi										
Accessories (installed) ¹										
Restrictor, 316 SS									R	

¹Applies to any quantity when added to standard stock gauges.

Items without part numbers are available - consult factory.

Note: Stock items shown in bold, blue print.

Additional accessories available - see "Accessories" section in back of catalog

Datasheet: 131.11

Industrial Gauges

Type 1X1.15



Type 131.15 - Stainless Steel Wetted Parts
Type 161.15 - Monel Wetted Parts

- Specialty Gas Gauges
- Stainless Steel or Monel® Wetted Parts
- Chrome-Plated Steel Case

WIKA Type 1X1.15 gauges are designed for specialty compressed gases requiring stainless steel or Monel® wetted parts. These gauges feature a chrome-plated steel case, 316 stainless steel wetted parts, a stainless steel movement and have "USE NO OIL" printed in red on each dial face.

Standard Features

- **Nominal Case Size:** 2" (53 mm), 2½" (68 mm)
- **Case Material:** Chrome-plated steel
- **Wetted Parts:** 316 stainless steel (Monel® - Type 161.15)
- **Window Type & Material:** Twist-lock polycarbonate
- **Removable Window:** Yes, twist-off
- **Dial Material:** White aluminum
- **Bezel Ring Type & Material:** N/A
- **Liquid Fillable Gauge:** No
- **Case-to-Socket O-ring Material:** N/A
- **"Other" Gaskets/O-ring Types & Materials:** N/A
- **Pointer Material/Type:** Black aluminum
- **Adjustable Pointer:** No
- **Accuracy:** ± 3/2/3% ASME B40.100 Grade B
- **Connection Locations:** LM (lower mount)
- **Media Operating Temperature:** Max. 212°F
- **Ambient Operating Temperature:** -40 to 140°F

Available Options

- "Dampened Movement" Option: No
- U-Clamp Bracket: No
- Front Flange: No
- Rear Flange: No
- Restrictor: Yes
- Safety Glass Window: No
- Instrument Glass Window (flat glass): No
- Drag Pointer (maximum reading indicator): No
- Cleaned for Use in Oxygen Service: Yes, Standard
- Panel Mount Kit: No
- Magnetic or Inductive Contact Switches: Yes
(Model 830.IE, 2" only), consult factory
- Receiver Gauge Scales: No
- Special Connection: Limited to wrench flat area

Note: For options not shown - consult your WIKA Distributor or the Factory.

Additional accessories available - see "Accessories" section in back of catalog

Type	131.15	
Datasheet	1X1.15	
Connection	LM	
Conn. Size	¼" NPT	
Press. Scale	PSI	
Size	2"	2½"
30" Hg		
30"-0-15 psi		
30"-0-30 psi	4293691	4293836
30"-0-60 psi		
30"-0-100 psi		
30"-0-160 psi		
30"-0-200 psi	4293704	4293844
15 psi		
30 psi	4293712	4293852
60 psi		
100 psi	4293739	4293861
160 psi		
200 psi	4293747	4293879
300 psi		
400 psi	4293755	4293887
600 psi		
800 psi		
1,000 psi	4293771	4293909
1,500 psi		
2,000 psi		
3,000 psi	4293780	4293917
4,000 psi	4293798	4293925
6,000 psi	4293810	4293933
10,000 psi	4293828	4293941
Accessories (installed)¹		
Restrictor, brass		R

¹Applies to any quantity when added to standard stock

Items without part numbers are available - consult factory.

Datasheet: 1X1.15

Industrial Gauges

Type 13X.53

- **Stainless Steel Case & Ring**
- **Stainless Steel Wetted Parts**
- **Economical Design**



Type 132.53 - Dry case
Type 133.53 - Liquid filled case

Type 13X.53 stainless steel gauges provide resistance to corrosive media and environments. They feature 316 stainless steel wetted parts, series 300 stainless steel case and movement, and a welded case-to-socket connection. Type 132.53 gauges are field liquid fillable or available filled from the factory. This gauge is designed for static applications and may not be well-suited to high vibration and pulsation applications.

Standard Features

- **Nominal Case Size:** 4" (100 mm)
- **Case Material:** 304 stainless steel
- **Wetted Parts:** 316 stainless steel
- **Window Type & Material:** Polycarbonate
- **Removable Window:** No
- **Dial Material:** White aluminum
- **Bezel Ring Type & Material:** Crimp-on ss
- **Liquid Fillable Gauge:** Yes
- **Case-to-Socket O-ring Material:** No, Welded
- **"Other" Gaskets/O-ring Types & Materials:** Window- BUNA N
- **Pointer Material/Type:** Black aluminum
- **Adjustable Pointer:** No
- **Accuracy:** ± 3/2/3% ASME B40.100 Grade B
- **Connection Locations:** LM (lower mount)
- **Media Operating Temperature:** Max. 212°F
- **Ambient Operating Temperature:** -40 to 140°F

Available Options

- "Dampened Movement" Option: No
- U-Clamp Bracket: No
- Front Flange: No
- Rear Flange: Yes
- Restrictor: Yes
- Safety Glass Window: No
- Instrument Glass Window (flat glass): No
- Drag Pointer (maximum reading indicator): No
- Cleaned for Use in Oxygen Service: Yes
- Panel Mount Kit: No
- Magnetic or Inductive Contact Switches: No
- Receiver Gauge Scales: No
- Special Connection: Limited to wrench flat area

Note: For options not shown - consult your WIKA Distributor or the Factory.

Type	13X.53	
Datasheet	13X.53	
Size	4"	
Press. Scale	PSI	
Connection	LM	
Conn. Size	1/4" NPT	1/2" NPT
30 psi	4285329	4285477
60 psi	4285337	4285485
100 psi	4285345	4285493
160 psi	4285353	4285507
200 psi	4285361	4285515
300 psi	4285370	4285523
400 psi	4285388	4285531
600 psi	4285396	4285540
800 psi		
1,000 psi	4285400	4285558
1,500 psi	4285418	4285566
2,000 psi	4285426	4285574
3,000 psi	4285434	4285582
5,000 psi	4285442	4285591
10,000 psi	4285451	4285604
15,000 psi	4285469	4285612

Accessories (installed)¹

RF,	RF
SS	
Restrictor,	R
316 ss	
Glycerine filling	
Type 133.53	133.53

¹Applies to any quantity when added to standard stock gauges.

Items without part numbers are available - consult factory.

Datasheet: 13X.53

Additional accessories available - see "Accessories" section in back of catalog

Industrial Gauges

Type 2X1.11

- **Black Painted Steel Case**
- **Copper Alloy Wetted Parts**
- **Large 10" Dial Size**



Type 211.11 - Brass Wetted Parts
Type 231.11 - Stainless Steel Wetted Parts

Type 2X1.11 10" pressure gauges are ideal for boiler room service or other applications where its large dial size makes it easier to read from a distance. These gauges feature a black-painted steel case and a $\pm 1.0\%$ accuracy.

Standard Features

- **Nominal Case Size:** 10" (250 mm)
- **Case Material:** Black-painted steel
- **Wetted Parts:** Copper alloy (211.11), stainless steel (231.11)
- **Window Type & Material:** Flat instrument glass
- **Removable Window:** Yes
- **Dial Material:** White aluminum
- **Bezel Ring Type & Material:** Black-painted steel friction fit ring
- **Liquid Fillable Gauge:** No
- **Case-to-Socket O-ring Material:** N/A
- **"Other" Gaskets/O-ring Types & Materials:** N/A
- **Pointer Material/Type:** Black aluminum- adjustable
- **Adjustable Pointer:** Yes, under window
- **Accuracy:** $\pm 1\%$ ASME B40.100 Grade 1A
- **Connection Locations:** LM (lower mount) & LBM (lower back mount)
- **Media Operating Temperature:** Max. 140°F
- **Ambient Operating Temperature:** -40 to 140°F

Available Options

- "Dampened Movement" Option: No
- U-Clamp Bracket: N/A
- Front Flange: Yes (LBM only)
- Rear Flange: Yes (LM & LBM)
- Restrictor: Yes
- Safety Glass Window: N/A
- Instrument Glass Window (flat glass): Standard
- Drag Pointer (maximum reading indicator): N/A
- Cleaned for Use in Oxygen Service: Consult factory
- Panel Mount Kit: N/A
- Magnetic or Inductive Contact Switches: N/A
- Receiver Gauge Scales: N/A
- Special Connection: Limited to wrench flat area

Note: For options not shown - consult your WIKA Distributor or the Factory.

Additional accessories available - see "Accessories" section in back of catalog

Datasheet: 2X1.11

Type	211.11	
Datasheet	2X1.11	
Conn. Size	1/2" NPT	
Press. Scale	PSI/BAR ¹	
Size	10"	
Connection	LM	LBM
30" Hg		
30"-0-15 psi		
30"-0-30 psi		
30"-0-60 psi		
30"-0-100 psi		
30"-0-160 psi		
30"-0-200 psi		
15 psi		
30 psi	4273193	4273339
60 psi		
100 psi	4273214	
160 psi		
200 psi	4273231	
300 psi	4273240	4273380
400 psi	4273258	4273398
600 psi	4273266	4273401
800 psi	4273274	4273410
1,000 psi	4273282	4273428
1,500 psi		
2,000 psi	4273303	4273444
3,000 psi	50081799	
5,000 psi	4273321	4273461
10,000 psi		
15,000 psi		
Accessories (installed)¹		
FF, steel		FF
black		
RF, steel	RF	RF
black		
Restrictor, brass		R

¹Applies to any quantity when added to standard stock gauges.

Items without part numbers are available - consult factory.

Note: Stock items shown in **bold, blue** print.

Industrial Gauges

Type 212.20

- **Copper Alloy Wetted Parts**
- **Large Dial Size**
- **Stainless Steel Case**



Designed for severe industrial service, WIKA Type 212.20 gauges provide proven service life of an industrial gauge. The large dial size makes it ideal for applications requiring reading from a distance.

Standard Features

- **Nominal Case Size:** 6" (160 mm)
- **Case Material:** 304 stainless steel
- **Wetted Parts:** Copper alloy
- **Window Type & Material:** Flat instrument glass
- **Removable Window:** Yes, bayonet ring twist-off
- **Dial Material:** White aluminum
- **Bezel Ring Type & Material:** SS bayonet ring
- **Liquid Fillable Gauge:** No (use Model 233.50)
- **Case-to-Socket O-ring Material:** N/A
- **"Other" Gaskets/O-ring Types & Materials:** Window ring, BUNA-N
- **Pointer Material/Type:** Black aluminum
- **Adjustable Pointer:** No
- **Accuracy:** ± 1% ASME B40.100 Grade 1A
- **Connection Locations:** LM (lower mount) & LBM (lower back mount)
- **Media Operating Temperature:** Max. 140°F
- **Ambient Operating Temperature:** -40 to 140°F

Available Options

- "Dampened Movement" Option: No
- U-Clamp Bracket: Yes (on special request)
- Front Flange: Yes
- Rear Flange: Yes
- Restrictor: Yes
- Safety Glass Window: Yes
- Instrument Glass Window (flat glass): Standard
- Adjustable Pointer: Yes
- Drag Pointer (maximum reading indicator): Yes
- Cleaned for Use in Oxygen Service: Consult factory
- Panel Mount Kit: Yes (see front flange or U-clamp option)
- Magnetic or Inductive Contact Switches: Yes (on special request)
- Receiver Gauge Scales: Yes
- Special Connection: Limited to wrench flat area

Note: For options not shown - consult your WIKA Distributor or the Factory.

Additional accessories available - see "Accessories" section in back of catalog

Datasheet: 212.20

Type	212.20		
Datasheet	212.20		
Conn. Size	½" NPT		
Size	6"		
Connection	LM	LBM	
Press. Scale ¹	PSI	PSI/KG/CM ²	PSI
30" Hg	4287836	4288018	4288174
30"-0-15 psi			
30"-0-30 psi	4287844	4288026	
30"-0-60 psi			
30"-0-100 psi			
30"-0-160 psi			
30"-0-200 psi			
15 psi	4287852	4288034	
30 psi	4287861	4288042	
60 psi	4287879	4288051	4288182
100 psi	4287887	4288069	
160 psi	4287895	4288077	
200 psi	4287909	4288085	4288191
300 psi	4287917	4288093	4288204
400 psi	4287925		
600 psi	4287933	4288107	4288212
800 psi			
1,000 psi	4287941	4288115	4288221
1,500 psi	4287950	4288123	
2,000 psi	4287968	4288131	4288239
3,000 psi	4287976	4288140	4288247
5,000 psi	4287984	4288158	4288255
10,000 psi	4287992	4288166	4288263
15,000 psi	4288000		4288271

Accessories (installed)²

FF, stainless steel	FF
RF, stainless steel	RF
Restrictor, brass	R

¹PSI/KG/CM² denotes dual scale; PSI outside in black, KG/CM² inside in red. Note: Vacuum scale: 30"Hg outside in black; 760 mm Hg inside in red.

²Applies to any quantity when added to standard stock

Items without part numbers are available - consult factory.

Note: Stock items shown in **bold, blue** print.

Industrial Gauges

Type 213.40



- **Hydraulic Gauge**
- **One-Piece Case / Socket Design**
- **Forged Brass Case**

Type 213.40 gauges offer superior service in applications with severe vibration and/or pulsation. The glycerine filling helps dampen the effects of vibration and pulsation and lubricates the movement to extend gauge life. This gauge also features an integral Bourdon tube which is soldered or brazed directly into the one-piece case/socket.

Standard Features

- **Nominal Case Size:** 2½" (68 mm), 4" (100 mm)
- **Case Material:** Forged brass; gold painted
- **Wetted Parts:** Copper alloy
- **Window Type & Material:** Acrylic
- **Removable Window:** No
- **Dial Material:** White aluminum
- **Bezel Ring Type & Material:**
Gold-plated ABS cover ring (2½")
Chrome-plated brass cover ring (4")
- **Liquid Fillable Gauge:** Yes, standard
- **Case-to-Socket O-ring Material:** No, forged
- **"Other" Gaskets/O-ring Types & Materials:**
Window gasket, BUNA-N
- **Pointer Material/Type:** Black aluminum
- **Adjustable Pointer:** No
- **Accuracy:** ± 2/1/2% of span ASME B40.100 Grade A (2½"); ± 1.0% of span ASME B40.100 Grade 1A (4")
- **Connection locations:** LM (lower mount) & CBM (center back mount) LBM (lower back mount)
- **Media Operating Temperature:** Max. 140°F soldered (212°F brazed, only on 4" 1500 psi & above)
- **Ambient Operating Temperature:** -4°F to 140°F glycerine; -40°F to 140°F silicone

Available Options

- "Dampened Movement" Option: No (liquid fill standard)
- U-Clamp Bracket: Yes (back mount only)
- Front Flange: Yes
- Rear Flange: Yes
- Restrictor: Yes
- Safety Glass Window: Yes
- Pressure compensating window: Yes
- Drag Pointer (maximum reading indicator): Yes
- Cleaned for Use in Oxygen Service: Only with inert case fill fluid
- Panel Mount Kit: Yes (see front flange or U-clamp option)
- Magnetic or Inductive Contact Switches: No
- Receiver Gauge Scales: Yes
- Special Connection: Limited to wrench flat area

Note: For options not shown - consult your WIKA Distributor or the Factory.

Additional accessories available - see "Accessories" section in back of catalog

Datasheet: 213.40

Type	213.40					
Datasheet	213.40					
Conn. Size	¼" NPT					
Size	2½"					
Connection	LM			CBM		
Press. Scale ¹	PSI	PSI/KPA ¹	PSI/BAR ²	PSI	PSI/KPA ¹	PSI/BAR ²
30" Hg	9318003	9456198	9734109	9318070	9455930	9734312
30"-0-15 psi	9318011	9613862		9318089	9325662	
30"-0-30 psi	9318020	9456163		9318097	9325689	
30"-0-60 psi	9318038	9456201		9318100	9325816	
30"-0-100 psi	9318046	9679928		9318119	9149872	
30"-0-160 psi	9318054	9679936		9318127	9325972	
30"-0-200 psi	9318062	9442863		9318135	9326251	
15 psi	9310673	9456155	9734117	9318143	9455949	9734215
30 psi	9310681	9456171	9734125	9318151	9455957	9734223
60 psi	9310690	9456210	9734134	9318160	9455965	9734231
100 psi	9310703	9456228	9734142	9318178	9456120	9746072
160 psi	9310711	9456180	8986216	9318186	9455981	9734257
200 psi	9310720	9456236		9318194	9442979	
300 psi	9310738	9442871	9798870	9318208	9442987	9734265
400 psi	9310746	9611452		9318216	9455990	
600 psi	9310754	9456244	8985815	9318224	9456007	8985774
800 psi	9310762	9690115		9318232	9128832	
1,000 psi	9310770	9456252	9798404	9318240	9456015	9746048
1,500 psi	9310789	9456260	9734193	9318259	9207511	8985829
2,000 psi	9310797	9455906		9318267	9456023	
3,000 psi	9310800	9455914	8985566	9318275	9435220	8985831
5,000 psi	9310819	9456279		9318283	9442995	
7,500 psi	9325107	9455922		9318291	9128840	
10,000 psi	9790454					
15,000 psi						

Accessories (installed) Applies to any quantity when added to standard stock gauges.

FF, polished brass	FF P	
FF, chrome plated steel	FF C	
FF, polished SS	FF S	
UC, polished SS ³	N/A	UC S
RF, polished brass	RF P	
Restrictor, brass	R	

¹PSI/KPA" denotes dual scale; PSI outside in black, KPA inside in red.

²"PSI/BAR" denotes dual scale; PSI outside in black, BAR inside in red.

³Polished SS profile ring with zinc-plated steel UC bracket.

Items without part numbers are available - consult factory.

Note: Stock items shown in **bold, blue** print.

Type	213.40						
Datasheet	213.40						
Press. Scale	PSI						
Size	4"				2½"		
Conn. Size	¼" NPT		½" NPT		7/16"-20 SAE		
Connection	LM	LBM	LM	LBM	LM	CBM	
30" Hg	9314555	9314296					
30"-0-15 psi	9314563	9314300					
30"-0-30 psi	9314571	9314318					
30"-0-60 psi	9314580	9314326					
30"-0-100 psi	9314598	9314334					
30"-0-160 psi	9314601	9314342					
30"-0-200 psi	9314610	9314350					
30"-0-300 psi	4260201						
30"-0-400 psi	4260210						
15 psi	9314644	9314385	9314121				
30 psi	9314652	9314393	9314130				
60 psi	9314660	9314407	9314148				
100 psi	9314679	9314415	9314156		9794980		
160 psi	9314687	9314423	9314164				9795324
200 psi	9314695	9314431	9314172		9795006		
300 psi	9314709	9314440	9314180				
400 psi	9314717	9314458	9314199				
600 psi	9314725	9314466	9314202				9795251
800 psi	9314733	9314474	9314210				
1,000 psi	9314741	9314482	9314229	9649751	9795057		
1,500 psi	9314750	9314490	9314237	9324143			
2,000 psi	9314768	9314504	9314245	9325026	9795065		
3,000 psi	9314776	9314512	9314253	9480609	9795073		9795294
5,000 psi	9314784	9314520	9314261	9413448	9795081		
7,500 psi							
10,000 psi	9314792	9314539	9314270	9413960			
15,000 psi							

4" Accessories				
FF, chrome plated brass	FF C			
UC, steel chrome plated ¹	N/A	UC C	N/A	UC C
RF, chrome plated brass	RFC			
Restrictor, brass ²	R	R	R	R

2½" Accessories	
FF, polished brass	FF P
FF, chrome plated steel	FF C
Restrictor, brass	R

Panel Mount Kits for 2½" 213.40 Gauges

Description	
Panel mount kit (installed) - includes: FF- chrome plated UC - zinc plated	UC/FF
Panel mount kit (installed) - includes: FF- SS UC - zinc plated	UC/FF

¹ Chrome-plated steel profile ring with zinc-plated steel UC bracket.
² LM = Press-in Restrictor
LBM = Threaded Restrictor

Items without part numbers are available - consult factory.

Note: Stock items shown in bold, blue print.

Industrial Gauges

Type 21X.40PM

- Paper Machine Gauge
- Field Liquid Fillable
- Front Flange for Panel Mounting



Type 212.40PM - Dry case
Type 213.40PM - Liquid filled case

WIKA Type 21X.40PM gauges are designed to fit existing paper machine panels. Each gauge is hermetically sealed to prevent moisture from entering during washdown. The hermetic seal makes this gauge liquid fillable for high vibration or pulsation applications. The generously oversized polished stainless steel front flange allows for easy retrofit installation.

Standard Features

- **Nominal Case Size:** 3½" (80mm)
- **Case Material:** Forged brass
- **Wetted Parts:** Copper alloy
- **Window Type & Material:** Acrylic
- **Removable Window:** No
- **Dial Material:** White aluminum
- **Bezel Ring Type & Material:** No, forged
- **Liquid Fillable Gauge/Allowable Fill:** Standard, dry, can be liquid-filled (213.40PM)
- **Case-to-Socket O-ring Material:** N/A
- **"Other" Gaskets/O-ring Types & Materials:** Window gasket, BUNA-N
- **Pointer Material/Type:** Black aluminum
- **Adjustable Pointer:** No
- **Accuracy:** ±2/1/2% of span ASME B40.100 Grade A
- **Connection Locations:** LBM/FF (lower back mount with front flange)
- **Media Operating Temperature:** Max. 140°F <1000 psi, 212°F >1500 psi
- **Ambient Operating Temperature:** -40°F to 140°F dry

Available Options

- "Dampened Movement" Option: No
- U-Clamp Bracket: No
- Front Flange: Yes (standard)
- Rear Flange: No
- Restrictor: Yes
- Safety Glass Window: No
- Instrument Glass Window (flat glass): No
- Drag Pointer (maximum reading indicator): No
- Cleaned for Use in Oxygen Service: Yes (dry only on special request)
- Panel Mount Kit: Yes (see front flange options)
- Magnetic or Inductive Contact Switches: No
- Receiver Gauge Scales: No

Note: For options not shown - consult your WIKA Distributor or the Factory.

Additional accessories available - see "Accessories" section in back of catalog

Datasheet: 21X.40PM

Type	212.40PM Dry, liquid fillable
Datasheet	21X.40PM
Size	3½"
Connection	LBM/FF
Conn. Size	¼" NPT
Pressure Scale	PSI
30" Hg	9838932
30"-0-15 psi	
30"-0-30 psi	
30"-0-60 psi	
30"-0-100 psi	
30"-0-160 psi	
30"-0-200 psi	
10 psi	
15 psi	
30 psi	8998804
60 psi	8998812
100 psi	8998820
160 psi	9838940
200 psi	8998838
300 psi	8998846
400 psi	8998855
600 psi	8998863
800 psi	
1,000 psi	8998871
1,500 psi	
2,000 psi	
3,000 psi	
5,000 psi	

Accessories (installed)¹

Glycerine filling Type 213.40	213.40
Restrictor, brass	R

¹Applies to any quantity when added to standard stock gauges

Items without part numbers are available
- consult factory.

Note: Stock items shown in **bold, blue** print.

Industrial Gauges

Type 21X.53

- Copper Alloy Wetted Parts
- Stainless Steel Case
- Field Liquid Fillable



Type 212.53 - Dry case
Type 213.53 - Liquid filled case

WIKA Type 21X.53 gauges feature a stainless steel case for protection in harsh environments. The o-ring seal around the connection makes this gauge field liquid fillable. When filled, the 213.53 is excellent for high vibration and pulsation applications.

Standard Features

- **Nominal Case Size:** 2" (53 mm), 2½" (68 mm), 4" (100 mm)
- **Case Material:** 304 stainless steel
- **Wetted Parts:** Copper alloy
- **Window Type & Material:** Polycarbonate
- **Removable Window:** No
- **Dial Material:** White ABS (2" & 2½") and white aluminum (4")
- **Bezel Ring Type & Material:** Crimp on SS
- **Liquid Fillable Gauge:** Yes
- **Case-to-Socket O-ring Material:** EPDM- factory glycerine filled; Viton- dry or factory silicone filled
- **"Other" Gaskets/O-ring Types & Materials:** Window gasket, BUNA-N
- **Pointer Material/Type:** Black aluminum
- **Adjustable Pointer:** No
- **Accuracy:** ±2/1/2% of span ASME B40.100 Grade A (2", 2½"); ±1% of span ASME B40.100 Grade 1A (4")
- **Connection Locations:** LM (lower mount), CBM (center back mount), LBM (lower back mount)
- **Media Operating Temperature:** Max. 140°F
- **Ambient Operating Temperature:** -40°F to 140°F dry; -4°F to 140°F glycerine filled; -40°F to 140°F silicone filled

Available Options

- "Dampened Movement" Option: No
- U-Clamp Bracket: Yes (CBM and LBM)
- Front Flange: Yes (CBM and LBM)
- Rear Flange: Yes (LM, LBM and CBM)
- Restrictor: Yes
- Safety Glass Window: No (see Model 21X.54)
- Instrument Glass Window (flat glass): No
- Drag Pointer (maximum reading indicator): Yes (2½" & 4") (drag pointer reduces standard accuracy)
- Cleaned for Use in Oxygen Service: Yes (dry only)
- Panel Mount Kit: Yes (see front flange and u-clamp option)
- Magnetic or Inductive Contact Switches: No
- Receiver Gauge Scales: No
- Special Connection: Limited to wrench flat area

Note: For options not shown - consult your WIKA Distributor or the Factory.

Additional accessories available - see "Accessories" section in back of catalog

Datasheet: 21X.53

Type	212.53 (Dry)							
Datasheet	21X.53							
Conn. Size	¼" NPT							
Connection	LM				CBM			
Size	2"	2½"			2"	2½"		
Press. Scale ¹	PSI/BAR	PSI	PSI/BAR	PSI/KG/CM ²	PSI/BAR	PSI	PSI/BAR	PSI/KG/CM ²
30" Hg	4311833	4269978	4270231	4270496	4312074	4270755	4271017	4271271
30"-0-15 psi	4311841	4269986				4270763		
30"-0-30 psi		4269994	4270258	4270517		4270771	4271033	4271298
30"-0-60 psi	4311868	4270002	4270266	4270525		4270780	4271041	4271301
30"-0-100 psi		4270011				4270798		
30"-0-160 psi		4270029				4270801		
30"-0-200 psi		4270037				4270810		
15 psi	4311906	4270045	4270304	4270569	4315014	4270828	4271084	4271343
30 psi	4311914	4270053	4270312	4270577	4315022	4270836	4271092	4271351
60 psi	4311922	4270061	4270321	4270585	4315031	4270844	4271106	4271361
100 psi	4311931	4270070	4270339	4270593	4315049	4270852	4271114	4271379
160 psi	4311949	4270088	4270347	4270606	4315057	4270861	4271122	4271387
200 Psi	4311957	4270096	4270355	4270614	4315065	4270879	4271131	4271395
300 psi	4311965	4270100	4270363	4270622	4315073	4270887	4271149	4271408
400 psi	4311973	4270118	4270371	4270631		4270895	4271157	4271416
600 psi	4311981	4270126	4270381	4270640	4315090	4270909	4271165	4271424
800 psi								
1,000 psi	4312007	4270142		4270666	4315111	4270925	4271181	4271441
1,500 psi	4312015	4270151		4270674	4315120	4270933	4271191	4271450
2,000 psi	4312023	4270169		4270682	4315138	4270941	4271203	4271468
3,000 psi	4312031	4270177		4270691	4315146	4270950	4271211	4271476
5,000 psi	4312040	4270185		4270703	4315154	4270968	4271220	4271484
6,000 psi							4271238	
7,500 psi	4312058				4315162		4271246	
10,000 psi	4312066	4270215	4270470	4270739	4315171	4270992	4271254	4271513
15,000 psi	N/A							

Accessories (installed) Applies to any quantity when added to standard stock gauges.

FF, SS	N/A				FF	FF	FF	FF
UC, (steel bracket)	N/A				UC Z	UC Z	UC Z	UC Z
UC, (SS bracket)	N/A				N/A	UC S	UC S	UC S
RF, SS	N/A	RF	RF	RF	N/A	RF	RF	RF
Restrictor, brass	R	R	R	R	R	R	R	R
Glycerine fill (Type 213.53)	213.53	N/A*	N/A*	N/A*	213.53	N/A*	N/A*	N/A*

*Refer to Type 213.53 (liquid filled) on pp 40, 41.

Items without part numbers are available - consult factory.

Type	212.53 (Dry)					
Size	4"					
Connection	LM			LBM		
Conn. Size	¼" NPT		½" NPT		¼" NPT	½" NPT
Press. Scale ¹	PSI	PSI/KG/CM ²	PSI	PSI/BAR	PSI/KG/CM ²	PSI/BAR
30" Hg	4271531	4271786		4272286	4272537	4272782
30"-0-15 psi	4271549	4271794				
30"-0-30 psi	4271557	4271808				
30"-0-60 psi	4271565	4271816				
30"-0-100 psi	4271573	4271824				
30"-0-160 psi	4271581	4271832				
30"-0-200 psi	4271590	4271841				
15 psi	4271602	4271859		4272359	4272600	4272855
30 psi	4271611	4271867		4272367	4272618	4272863
60 psi	4271620	4271875		4272375	4272626	4272871
100 psi	4271638	4271883		4272383	4272634	4272880
160 psi	4271646	4271891		4272391	4272642	4272898
200 psi	4271654	4271905			4272651	
300 psi	4271662	4271913		4272412	4272669	4272910
400 psi	4271671	4271921			4272677	
600 psi	4271689	4271930		4272430	4272685	4272936
800 psi						
1,000 psi	4271701	4271956	4272200	4272456	4272707	4272952
1,500 psi	4271719	4271964	4272218	4272464	4272715	4272961
2,000 psi	4271727	4271972	4272226	4272472	4272723	4272979
3,000 psi	4271735	4271981	4272234	4272481	4272731	4272987
5,000 psi	4271743	4271999	4272242	4272499	4272740	4272995
10,000 psi	4271760	4272013	4272260		4272766	
15,000 psi	4271778	4272021				

Accessories (installed) Applies to any quantity when added to standard stock gauges.

FF, SS	N/A	FF
UC, (steel bracket)	N/A	UC Z
UC, (SS bracket)	N/A	UC S
RF, SS		RF
Restrictor, brass		R

Items without part numbers are available - consult factory.

Note: Stock items shown in **bold, blue** print.

Type	213.53 (Liquid Filled)						
Datasheet	21X.53						
Size	2½"						
Conn. Size	¼" NPT			7/16"-20 SAE	¼" NPT		
Connection	LM			LM	CBM		
Press. Scale ¹	PSI	PSI/BAR	PSI/KG/CM ²	PSI/BAR	PSI	PSI/BAR	PSI/KG/CM ²
30" Hg	9767002	9691957	9693683		9767185	9692139	9693861
30"-0-15 psi							
30"-0-30 psi	9767010	9691965	9693691				
30"-0-60 psi	9767029	9691974	9693705				
30"-0-100 psi							
30"-0-160 psi							
30"-0-200 psi							
15 psi	9767037	9691982	9693713				9697220
30 psi	9767045	9691990	9693721		9767193	9692147	9693879
60 psi	9767053	9692007	9693739		9767202	9692155	9693887
100 psi	9767061	9692015	9693747	9795664	9767215	9692164	9693895
160 psi	9767070	9692024	9693755	9795672	9767223	9692172	9693909
200 psi	9767088	9692032	9693764	9795680	9767231	9692180	9693917
300 psi	9767096	9692040	9693772		9767240	9692198	9693925
400 psi	9767100	9692058	9693780				
600 psi	9767118	9692066	9693798		9768947	9692202	9693934
800 psi							
1,000 psi	9767126	9692075	9693802		9767258	9692210	9693942
1,500 psi	9767134	9692083	9693810		9768165	9692228	9693950
2,000 psi	9767142	9692091	9693828	9795698	9768939	9692236	9693968
3,000 psi	9767150	9692105	9693836	9795702	9767266	9692245	9693976
5,000 psi	9767169	9692113	9693845	9795710	9767274	9692253	9693985
6,000 psi		9748207		9795728			
10,000 psi	9767177	9692121	9693853		9767282	9692261	9693993
15,000 psi							

Accessories (installed) Applies to any quantity when added to standard stock gauges

FF, SS	N/A					FF S
UC, (steel bracket)	N/A					UC Z
UC, (SS bracket)	N/A					UC S
RF, SS	RF			RF		RF
Restrictor, brass	R			R		R

¹"PSI/BAR" denotes dual scale; PSI outside in black, BAR inside in red. "PSI/KG/CM²" denotes dual scale; PSI outside in black, KG/CM² inside in red. Note: Vacuum scale: 30" Hg outside in black; 760 mm Hg inside in red.

Items without part numbers are available - consult factory.

Note: Stock items shown in **bold, blue** print.

Type	213.53 (Liquid Filled)					
Datasheet	21X. 53					
Size	4"					
Connection	LM			LBM		
Conn. Size	1/4" NPT		1/2" NPT		1/4" NPT	1/2" NPT
Press. Scale ¹	PSI	PSI/KG/CM ²	PSI	PSI/BAR	PSI/KG/CM ²	PSI/BAR
30" Hg	9699028	9694000		9734427	9694239	9734533
30"-0-15 psi	9699036	9694018				
30"-0-30 psi	9699045	9694026				
30"-0-60 psi	9699053	9694035				
30"-0-100 psi	9699061	9694043				
30"-0-160 psi	9699079	9694051				
30"-0-200 psi	9699087	9694069				
15 psi	9699095	9694077		9734320		9734435
30 psi	9699109	9694085		9734338	9694247	9734444
60 psi	9699117	9694094		9734346	9694255	9734452
100 psi	9699125	9694107		9734355	9694264	9734460
160 psi	9699257	9694115		9734363	9694272	9734478
200 psi	9699134	9694124			9694280	
300 psi	9699142	9694132		9734371	9694298	9734486
400 psi	9699150	9694140			9697743	
600 psi	9699168	9694158		9734389	9694302	9734495
800 psi	9699176					
1,000 psi	9699185	9694166	4228732	9734397	9694310	9734508
1,500 psi	9699193	9694175	9766885	9734401	9694328	9734516
2,000 psi	9699206	9694183	9766876	4201591	9694336	
3,000 psi	9699215	9694191	9766893	9734419	9694345	9734525
5,000 psi	9699223	9694205	9766906	4201604	9694353	
6,000 psi						
10,000 psi	9699231	9694213	9766915		9694361	
15,000 psi	9699249	9694221				

Accessories (installed) Applies to any quantity when added to standard stock gauges

FF, SS	N/A	FF
UC, (steel bracket)	N/A	UC Z
UC (SS bracket)	N/A	UC S
RF, SS	RF	
Restrictor, brass	R	

¹ "PSI/BAR" denotes dual scale; PSI outside in black, BAR inside in red. "PSI/KG/CM²" denotes dual scale; PSI outside in black, KG/CM² inside in red. Note: Vacuum scale: 30" Hg outside in black; 760 mm Hg inside in red.

Items without part numbers are available - consult factory.

Note: Stock items shown in **bold, blue** print.

Industrial Gauges

Type 23X.53

- All Stainless Steel Construction
- Welded Case-to-Socket Connection
- Field Liquid Fillable



Type 232.53 - Dry case
Type 233.53 - Liquid filled case

The rugged construction of WIKA Type 23X.53 stainless steel gauges provides resistance to the most corrosive media and environments. These gauges feature 316 stainless steel wetted parts and 304 stainless steel case and crimped ring, and can be liquid filled in the field.

Standard Features

- **Nominal Case Size:** 2" (53 mm) 2½" (68 mm), 4" (100 mm)
- **Case Material:** 304 stainless steel
- **Wetted Parts:** 316 SS
- **Window Type & Material:** Polycarbonate
- **Removable Window:** No
- **Dial Material:** White aluminum
- **Bezel Ring Type & Material:** Crimp on SS polished
- **Liquid Fillable Gauge:** Yes
- **Case-to-Socket O-ring Material:** No, welded
- **"Other" Gaskets/O-ring Types & Materials:**
Window gasket, BUNA-N
- **Pointer Material/Type:** Black aluminum
- **Adjustable Pointer:** No
- **Accuracy:** ± 2/1/2% of span ASME B40.100 Grade A (2" & 2½"); ±1.0% of span ASME B40.100 Grade 1A (4")
- **Connection locations:** LM (lower mount), CBM (center back mount) & LBM (lower back mount) (4" only)
- **Media Operating Temperature:** 212°F
- **Ambient Operating Temperature:** -40°F to 140°F dry; -4°F to 140°F glycerine case fill; -40°F to 140°F silicone case fill

Available Options

- "Dampened Movement" Option: Yes, (N/A on 2½" CBM or 2" LM/CBM) & LBM
- U-Clamp Bracket: Yes (CBM and LBM)
- Front Flange: Yes (CBM & LBM)
- Rear Flange: Yes (LM, CBM & LBM)
- Restrictor: Yes
- Safety Glass Window: No (see Model 23X.54)
- Instrument Glass Window (flat glass): No
- Drag Pointer (maximum reading indicator): Yes
- Cleaned for Use in Oxygen Service: Yes
- Panel Mount Kit: Yes (see front flange or U-clamp option)
- Magnetic or Inductive Contact Switches: No
- Receiver Gauge Scales: Yes
- Special Connection: Limited to wrench flat area

Note: For options not shown - consult your WIKA Distributor or the Factory.

Additional accessories available - see "Accessories" section in back of catalog

Datasheet: 23X.53

Type	232.53 (Dry)				
Datasheet	23X.53				
Size	2½"				
Conn. Size	¼" NPT				
Connection	LM	CBM			
Press. Scale ¹	PSI	PSI	PSI/BAR	PSI/KPA	PSI/KG/CM ²
30" Hg	9768777	9768394			
30"-0-15 psi					
30"-0-30 ppsi	9768769	9768386			
30"-0-60 psi	9768750	9768378			
30"-0-100 psi					
30"-0-160 psi	9768742	9768360			
30"-0-200 psi					
15 psi	9768734	9768351			
30 psi	9768726	9768343			
60 psi	9768718	9768335	8992848	8993089	8992962
100 psi	9768700	9768327	8992856	8993097	8992970
160 psi	9768696	9768319	8992865	8993101	8992988
200 psi	9768688	9768300	8992873	8993119	8992996
300 psi	9768670	9768297	8992881	8993127	8993004
400 psi	9768661	9768289			
600 psi	9768653	9768270	9779685	9779693	
800 psi					
1,000 psi	9768645	9768262	8992899	8993135	8993012
1,500 psi	9768637	9768254	8992903	8993144	8993020
2,000 psi	9768629	9768246	8992911	8993152	8993038
3,000 psi	9768610	9768238	8992929	8993160	8993046
5,000 psi	9768602	9768220	8992937	8993178	8993055
6,000 psi		8993208	8992945	8993186	8993063
10,000 psi	9768599	9768211	8992954	8993195	8993071
15,000 psi		9779715	9776715	9779723	9779731

Accessories (installed) Applies to any quantity when added to standard stock gauges.

FF, SS	N/A	FF
UC, (steel bracket)	N/A	UC Z
UC (SS bracket)	N/A	UC S
RF, SS		RF
Restrictor, 316 SS		R
Glycerine filling Type 233.53		233.53

¹"PSI/BAR" denotes dual scale; PSI outside in black, BAR inside in red; "PSI/KPA" denotes dual scale; PSI outside in black, KPA inside in red; "PSI/KG/CM²" denotes dual scale; PSI outside in black, KG/CM² inside in red. Note: Vacuum scale: 30" Hg outside in black; 760 mm Hg inside in red.

²Applies to any qty when added to std stock gauges.

Items without part numbers are available - consult factory.

Note: Stock items shown in **bold, blue** print.

Type	232.53 (Dry)		
Datasheet	23X.53		
Size	4"		
Press. Scale	PSI		
Conn. Size	¼" NPT	½" NPT	
Connection	LM	LM	LBM
30" Hg	9767576	9768459	9737057
30"-0-15 psi	9737910	9768467	9737065
30"-0-30 psi	9767398	9768475	9737073
30"-0-60 psi	9767401	9768483	9737081
30"-0-100 psi	9737898	9737880	9737090
30"-0-160 psi	9767410	9768491	9737103
30"-0-200 psi	9737901	9768505	9737111
30"-0-300 psi	4260147		
30"-0-400 psi	4260155		
15 psi	9767428	9768513	9737120
30 psi	9767436	9768521	9737138
60 psi	9767444	9768530	9737146
100 psi	9767452	9768548	9737154
160 psi	9767460	9768556	9737162
200 psi	9767479	9768564	9737170
300 psi	9767487	9768572	9737189
400 psi	9767495	9768580	9737197
600 psi	9767509	9768963	9737200
800 psi			9737219
1,000 psi	9767517	9768858	9737227
1,500 psi		9768866	9737235
2,000 psi		9768807	9737243
3,000 psi		9768874	9737251
5,000 psi		9768823	9737260
10,000 psi		9768831	9737278
15,000 psi		9768840	9737286

Accessories (installed)²

FF, SS	N/A	FF
4½" Panel Mount Adapter	N/A	PM ADAPT
UC, (steel bracket)	N/A	UC Z
UC, (SS bracket)	N/A	UC S
RF, SS		RF
Restrictor, 316 SS		R
Glycerine filling Type 233.53		233.53

Type	233.53 (Glycerine Filled)				
Datasheet	23X.53				
Press. Scale	PSI				
Conn. Size	¼" NPT		½" NPT		¼" NPT
Connection	LM		LM	LBM	CBM
Size	2½"	4"	4"	4"	2½"
30" Hg	9833646	9833124	9833328	9831504	9833310
30"-0-15 psi		9831775	9833336	9831512	
30"-0-30 psi	9833638	9832993	9833345	9831520	9833302
30"-0-60 psi	9833620	9833000	9833353	9831538	9833298
30"-0-100 psi		9831759	9831741	9831546	
30"-0-160 psi	9833612	9833018	9833361	9831555	9833280
30"-0-200 psi		9831767	9833379	9831563	
30"-0-300 psi	N/A				N/A
30"-0-400 psi	N/A				N/A
15 psi	9833604	9833026	9833387	9831571	9833272
30 psi	9833590	9833035	9833395	9831589	9833264
60 psi	9833582	9833043	9833409	9831597	9833255
100 psi	9833574	9833051	9833417	9831601	9833247
160 psi	9833565	9833069	9833425	9831619	9833239
200 psi	9833557	9833077	9833434	9831627	9833221
300 psi	9833549	9833085	9833442	9831635	9833213
400 psi	9833531	9833094	9833450	9831644	9833205
600 psi	9833523	9833107	9833727	9831652	9833191
800 psi					
1,000 psi	9833515	9833115	9833697	9831678	9833183
1,500 psi	9833506		9833701	9831686	9833175
2,000 psi	9833493		9833655	9831695	9833166
3,000 psi	9833485		9833719	9831708	9833158
5,000 psi	9833476		9833663	9831716	9833140
10,000 psi	9833468		9833671	9831725	9833132
15,000 psi			9833689	9831733	

Type	232.53- Stock Gauges with Ammonia Scales	
Size	2 ½"	4"
Connection	LM	
Conn. Size	¼" NPT	
30"-0-150 PSI / 84°F	9797144	9797127
30"-0-300 PSI / 126°F	9797152	9797135

Accessories (installed) Applies to any quantity when added to standard stock gauges.		
RF, SS	RF	RF
Restrictor, 316 SS	R	R
Glycerine filling Type 233.53	233.53	233.53

Items without part numbers are available - consult factory.

Note: Stock items shown in bold, blue print.

Industrial Gauges

Type 21X.54

- **Stainless Steel Case**
- **Copper Alloy Wetted Parts**
- **Industrial Grade Movement**



Type 212.54 - Dry case
Type 213.54 - Liquid filled case

Available in ranges up to 10,000 psi, WIKA Type 21X.54 pressure gauges offer heavy-duty service in industrial applications and environments. They feature a stainless steel case and the industrial grade Swiss movement assures repeatable accuracy and long service life.

Standard Features

- **Nominal Case Size:** 2½" (68 mm), 4" (100 mm)
- **Case Material:** 304 stainless steel
- **Wetted Parts:** Copper alloy
- **Window Type & Material:** Laminated safety glass
- **Removable Window:** Yes
- **Dial Material:** White ABS (2½") & white aluminum (4")
- **Bezel Ring Type & Material:** Twist-on SS
- **Liquid Fillable Gauge:** Yes
- **Case-to-Socket O-ring Material:** BUNA-N
- **"Other" Gaskets/O-ring Types & Materials:**
Window gasket, BUNA-N
- **Pointer Material/Type:** Black aluminum- adjustable
- **Adjustable Pointer:** Yes, under window
- **Accuracy:** ±2/1/2% of span-ASME B40.100 Grade A;
± 1.0% of span-ASME B40.100 Grade 1A (4")
- **Connection Locations:** LM (lower mount), CBM (center back mount) & LBM (lower back mount) (4" only)
- **Media Operating Temperature:** 140°F
- **Ambient Operating Temperature:** -40°F to 140°F dry;
-4°F to 140°F glycerine case fill; -40°F to 140°F silicone case fill

Available Options

- "Dampened Movement" Option: No
- U-Clamp Bracket: Yes (CBM & LBM)
- Front Flange: Yes (CBM & LBM)
- Rear Flange: Yes (LM, CBM & LBM)
- Restrictor: Yes
- Safety Glass Window: Standard
- Instrument Glass Window (flat glass): Yes (and acrylic)
- Drag Pointer (maximum reading indicator): Yes
- Cleaned for Use in Oxygen Service: Yes
- Panel Mount Kit: Yes (see front flange and U-clamp option)
- Magnetic or Inductive Contact Switches: No
- Receiver Gauge Scales: Yes
- Special Connection: Limited to wrench flat area

Note: For options not shown - consult your WIKA Distributor or the Factory.

Additional accessories available - see "Accessories" section in back of catalog

Datasheet: 21X.54

Type	212.54					
Datasheet	21X.54					
Press. Scale	PSI					
Size	2½"			4"		
Connection	LM ●	CBM ▬	LM ●	LM ●	LBM ▬	
Conn. Size	¼" NPT	¼" NPT	¼" NPT	½" NPT	½" NPT	
30" Hg						
30"-0-15 psi						
30"-0-30 psi						
30"-0-60 psi						
30"-0-100 psi						
30"-0-160 psi						
30"-0-200 psi						
10 psi	N/A	N/A	4212011			
15 psi			4212029			
30 psi			4212037			
60 psi			4212045			
100 psi			4212053			
160 psi			4212061			
200 psi			4212070			
300 psi			4212088			
400 psi			4212096			
600 psi			4212100			
800 psi						
1,000 psi			4212126	4212363		
1,500 psi			4212134	4212371		
2,000 psi			4212142	4212380		
3,000 psi			4212151	4212398		
5,000 psi			4212169	4212401		
10,000 psi			4212177	4212410		

Accessories (installed) ¹					
FF	N/A	FF	N/A	N/A	FF
SS					
RF, SS	RF		RF		
Restrictor, brass	R		R		
Glycerine filling Type 213.54	213.54		213.54		

¹Applies to any quantity when added to standard stock gauges.

Items without part numbers are available - consult factory.

Industrial Gauges

Type 23X.54

- **Stainless Steel Case & Bayonet Ring**
- **Stainless Steel Wetted Parts**
- **Welded Case-to-Socket Connection**



Type 232.54 - Dry case
Type 233.54 - Liquid filled case

Type 23X.54 gauges feature 316 stainless steel wetted parts and 304 stainless steel case and bayonet ring, a laminated safety glass window, and can be liquid filled in the field. These gauges are ideal for process, chemical applications, oil exploration and production, power generation, and pollution control equipment.

Standard Features

- **Nominal Case Size:** 2½" (68 mm), 4" (100 mm)
- **Case Material:** 304 stainless steel
- **Wetted Parts:** 316 SS
- **Window Type & Material:** Laminated safety glass
- **Removable Window:** Yes
- **Dial Material:** White aluminum
- **Bezel Ring Type & Material:** Twist-on bayonet ring
- **Liquid Fillable Gauge:** Yes
- **Case-to-Socket O-ring Material:** No, welded
- **"Other" Gaskets/O-ring Types & Materials:**
Window gasket, BUNA-N
- **Pointer Material/Type:** Black aluminum-adjustable
- **Adjustable Pointer:** Yes, under window
- **Accuracy:** (2½") ±2/1/2% of span - ASME B40.100 Grade A;
(4") ±1.0% of span - ASME B40.100 Grade 1A
- **Connection Locations:** LM (lower mount), CBM (center back mount) & LBM (lower back mount)
- **Media Operating Temperature:** Max. 212°F
- **Ambient Operating Temperature:** -40°F to 140°F dry;
-4°F to 140°F glycerine case fill;
-40°F to 140°F- silicone case fill

Available Options

- "Dampened Movement" Option: Yes (N/A on 2½" CBM)
- U-Clamp Bracket: Yes (CBM & LBM only)
- Front Flange: Yes (CBM & LBM only)
- Rear Flange: Yes (CBM, LBM & LM)
- Restrictor: Yes
- Safety Glass Window: Standard
- Instrument Glass Window (flat glass): Yes, and acrylic
- Drag Pointer (maximum reading indicator): Yes
- Cleaned for Use in Oxygen Service: Yes
- Panel Mount Kit: Yes (see front flange & U-clamp options)
- Magnetic or Inductive Contact Switches: No
- Receiver Gauge Scales: Yes
- Special Connection: Limited to wrench flat area

Note: For options not shown - consult your WIKAI Distributor or the Factory.

Additional accessories available -
see "Accessories" section in back of catalog

Datasheet: 23X.54

Type	232.54 (Dry)					
Datasheet	23X.54					
Conn. Size	1/4" NPT					
Size	2 1/2"					
Connection	LM			CBM		
Press. Scale ¹	PSI	PSI/BAR	PSI/KG/CM ²	PSI	PSI/BAR	PSI/KG CM ²
30" Hg	9744827	9735245	9694531	9745068	9735385	9694778
30"-0-15 psi	9744835		9694549	9745076		
30"-0-30 psi	9744843		9694557	9745084		
30"-0-60 psi	9744851		9694565	9745092		
30"-0-100 psi	9744860		9694574	9745106		
30"-0-160 psi	9744878		9694582	9745114		
30"-0-200 psi	9744886		9694590	9745122		
15 psi	9744894	9735114	9694604	9745130	9735254	9694786
30 psi	9744908	9735122	9694612	9745149	9735262	9694795
60 psi	9744916	9735130	9694620	9745157	9735270	9694808
100 psi	9744924	9735148	9694638	9745165	9735288	9694816
160 psi	9744932	9735156	9694646	9745173	9735296	9694825
200 psi	9744940		9694655	9745181		9694833
300 psi	9744959	9735165	9694663	9745190	9735300	9694841
400 psi	9744967		9694671	9745203		9694859
600 psi	9744975	9735173	9694689	9745211	9735318	9694867
800 psi	9744983		9694697	9745220		
1,000 psi	9744991	9735181	9694701	9745238	9735326	9694875
1,500 psi	9745009	9735199	9694719	9745246	9735335	9694884
2,000 psi	9745017		9694727	9745254		9694892
3,000 psi	9745025	9735203	9694735	9745262	9735343	9694905
5,000 psi	9745033	9735211	9694744	9745270	9735351	9694914
10,000 psi	9745041	9735229	9694752	9745289	9735369	9694922
15,000 psi	9745050	9735237		9694760	9745297	9735377

Accessories (installed) Applies to any quantity when added to standard stock gauges.

FF, SS polished	N/A	FF
UC (steel bracket)	N/A	UC Z
UC (SS bracket)	N/A	UC S
RF, SS		RF
Restrictor, 316 SS		R
Glycerine filling Type 233.54		233.54

¹"PSI/BAR" denotes dual scale; PSI outside in black, BAR inside in red. "PSI/KG/CM²" denotes dual scale; PSI outside in black, KG/CM² inside in red. Note: Vacuum scale: 30" Hg outside in black; 760 mm Hg inside in red.

Items without part numbers are available - consult factory.

Note: Stock items shown in **bold, blue** print.

Type	232.54 (Dry)						
Datasheet	23X.54						
Size	4"						
Connection	LM				LBM		
Conn. Size	1/4" NPT	1/2" NPT			1/2" NPT		
Press. Scale ¹	PSI	PSI	PSI/BAR	PSI/KG/CM ²	PSI	PSI/BAR	PSI/KG/CM ²
30" Hg	9745300	9745548	9734826	9694930	9745785	9734966	
30"-0-15 psi	9745319	9745556		9694948	9745793		
30"-0-30 psi	9745327	9745564		9694956	9745807		
30"-0-60 psi	9745335	9745572		9694965	9745815		
30"-0-100 psi	9745343	9745580		9694973	9745823		
30"-0-160 psi	9745351	9745599			9745831		
30"-0-200 psi	9745360	9745602			9745840		
15 psi	9745378	9745610	9734699	9694981	9745858	9734835	
30 psi	9745386	9745629	9734703	9694999	9745866	9734843	9695155
60 psi	9745394	9745637	9734711	9695006	9745874	9734851	9695163
100 psi	9745408	9745645	9734729	9695015	9745882	9734869	9695171
160 psi	9745416	9745653	9734737	9695023	9745890	9734877	9695189
200 psi	9745424	9745661		9695031	9745904		9695197
300 psi	9745432	9745670	9734745	9695049	9745912	9734885	9695201
400 psi	9745440	9745688		9695057	9745920		
600 psi	9745459	9745696	9734754	9695065	9745939	9734894	9695219
800 psi	9745467	9745700		9695074	9745947		
1,000 psi	9745475	9745718	9734762	9695082	9745955	9734907	
1,500 psi	9745483	9745726	9734770	9695090	9745963	9734915	9695227
2,000 psi	9745491	9745734		9695104	9745971		9695235
3,000 psi	9745505	9745742	9734788	9695112	9745980	9734924	9695244
5,000 psi	9745513	9745750	9734796	9695120	9745998	9734932	9695252
10,000 psi	9745521	9745769	9734800	9695138	9746005	9734940	
15,000 psi	9745530	9745777	9734818	9695146	9746013	9734958	9695260

Accessories (installed) Applies to any quantity when added to standard stock gauges.

FF, SS polished	N/A	FF
4 1/2" Panel Mount adapter	N/A	PM ADAPT
UC (steel bracket)	N/A	UC Z
UC (SS bracket)	N/A	UC S
RF, SS Restrictor, 316 SS		RF R
Glycerine filling Type 233.54		233.54

¹"PSI/BAR" denotes dual scale; PSI outside in black, BAR inside in red. "PSI/KG/CM²" denotes dual scale; PSI outside in black, KG/CM² inside in red. Note: Vacuum scale: 30" Hg outside in black; 760 mm Hg inside in red.

Items without part numbers are available - consult factory.

Note: Stock items shown in **bold, blue** print.

Type	233.54 (Glycerine Filled)	
Datasheet	23X.54	
Size	2½"	
Conn. Size	¼" NPT	
Press. Scale	PSI	
Connection	LM	CBM
30" Hg	9831784	9832020
30"-0-15 psi	9831792	9832046
30"-0-30 psi	9831805	9832055
30"-0-60 psi	9831814	9832063
30"-0-100 psi	9831822	9832071
30"-0-160 psi	9831830	9832089
30"-0-200 psi	9831848	9832097
15 psi	9831856	9832101
30 psi	9831865	9832119
60 psi	9831873	9832127
100 psi	9831881	9832135
160 psi	9831899	9832144
200 psi	9831903	9832152
300 psi	9831911	9832160
400 psi	9831929	9832178
600 psi	9831937	9832186
800 psi	9831945	9832195
1,000 psi	9831954	9832208
1,500 psi	9831962	9832216
2,000 psi	9831970	9832225
3,000 psi	9831988	9832233
5,000 psi	9831996	9832241
10,000 psi	9832004	9832259
15,000 psi	9832012	9832267

Type	233.54 (Glycerine Filled)		
Datasheet	23X.54		
Size	4"		
Press. Scale	PSI		
Conn. Size	¼" NPT	½" NPT	
Connection	LM	LM	LBM
30" Hg	9832275	9832518	9832755
30"-0-15 psi	9832284	9832526	9832764
30"-0-30 psi	9832292	9832535	9832772
30"-0-60 psi	9832305	9832543	9832780
30"-0-100 psi	9832314	9832551	9832798
30"-0-160 psi	9832322	9832569	9832802
30"-0-200 psi	9832330	9832577	9832810
15 psi	9832348	9832585	9832828
30 psi	9832356	9832594	9832836
60 psi	9832365	9832607	9832845
100 psi	9832373	9832615	9832853
160 psi	9832381	9832624	9832861
200 psi	9832399	9832632	9832879
300 psi	9832403	9832640	9832887
400 psi	9832411	9832658	9832895
600 psi	9832429	9832666	9832909
800 psi	9832437	9832675	9832917
1,000 psi	9832445	9832683	9832925
1,500 psi	9832454	9832691	9832934
2,000 psi	9832462	9832705	9832942
3,000 psi	9832470	9832713	9832950
5,000 psi	9832488	9832721	9832968
10,000 psi	9832496	9832739	9832976
15,000 psi	9832500	9832747	9832985

Type	232.54 - X-mas Tree Dial Scales
Datasheet	23X.54
Connection	LM
Conn. Size	½" NPT
Size	4"
Press. Scale	PSI
1,000 psi	8992350
1,500 psi	8992342
2,000 psi	8992334
3,000 psi	8992325
5,000 psi	8992317
10,000 psi	8992309

Type	232.54- Receiver Scales			
Datasheet	23X.54			
Size	2½"		4"	
Conn. Size	¼" NPT		½" NPT	
Connection	LM	CBM	LM	LBM
100%	9749470	9749497	9749500	9749519
10 sq. rt.	9749462	9749489		
Accessories (installed)				
Restrictor, 316SS	R		R	

Items without part numbers are available - consult factory.

Note: Stock items shown in **bold, blue** print.

Industrial Gauges

Type 233.55



- Panel Builder Gauge
- All Stainless Steel Construction
- Glycerine Filled Case

The Type 233.55 LBM is specifically designed and manufactured to exact panel builder requirements. With exclusive features, it is ideal when used for panel mount gauges in the oil and gas, refinery, petrochemical, and food & beverage industries.

Standard Features

- **Nominal Case Size:** 2½" (63 mm)
- **Case Material:** 304 stainless steel with off-set vent plug
- **Front Flange:** Stainless steel
- **Wetted Parts:** 316 SS
- **Window Type & Material:** Safety glass
- **Dial Material:** White aluminum
- **Liquid Fillable Gauge:** Standard
- **Restrictor:** Standard
- **Pointer Material/Type:** Black aluminum
- **Accuracy:** 2/1/2% of span ASME B40.100 Grade A
- **Connection Locations:** LBM (lower back mount)
- **Media Operating Temperature:** Max. 212°F
- **Ambient Operating Temperature:** -4°F to 140°F (-20°C to 160°C) maximum; -40°F to 140°F w/silicone case fill

Type	233.55			
Datasheet	233.55			
Size	2½"			
Conn. Size	¼" NPT			
Connection	LBM/FF			
Press. Scale	PSI	PSI/BAR ¹	PSI/KPA	PSI/KG/CM ²
30" Hg	4282811	4283078	4283337	4283591
30"-0-15 psi	4282829	4283086	4283345	4283604
30"-0-30 psi	4282837	4283094	4283354	4283613
30"-0-60 psi	4282845	4283107	4283362	4283621
30"-0-100 psi	4282854	4283115	4283370	4283639
30"-0-160 psi	4282862	4283124	4283388	4283647
30"-0-200 psi	4282870	4283133	4283396	4283655
15 psi	4282888	4283141	4283400	4283664
30 psi	4282896	4283159	4283418	4283672
60 psi	4282900	4283167	4283426	4283680
100 psi	4282918	4283175	4283434	4283698
160 psi	4282926	4283184	4283443	4283702
200 psi	4282934	4283192	4283451	4283710
300 psi	4282943	4283204	4283469	4283728
400 psi	4282951	4283214	4283477	4283736
600 psi	4282969	4283222	4283485	4283744
800 psi	4282977	4283230	4283494	4283753
1,000 psi	4282985	4283248	4283507	4283761
1,500 psi	4282994	4283256	4283515	4283779
2,000 psi	4283000	4283264	4283524	4283787
3,000 psi	4283018	4283273	4283532	4283795
5,000 psi	4283026	4283281	4283540	4283809
6,000 psi	4283034	4283299	4283558	4283817
10,000 psi	4283044	4283303	4283566	4283825
15,000 psi	4283052	4283311	4283574	4283834
20,000 psi	4283060	4283329	4283583	4283842

Additional accessories available - see "Accessories" section in back of catalog

Datasheet: [233.55](#)

¹PSI/BAR" denotes dual scale; PSI outside in black, BAR inside in red.
²PSI/KG/CM²" denotes dual scale; PSI outside in black, KG/CM² inside in red.
 Note: Vacuum scale: 30" Hg outside in black; 760 mm Hg inside in red.

Items without part numbers are available - consult factory.

Note: Stock items shown in **bold, blue** print.

Industrial Gauges

Type 23X.30

- Solid-Front Safety Case Design
- All Stainless Steel Construction
- High-Quality Process Industry Gauge



Type 232.30 - Dry case
Type 233.30 - Liquid filled case (LM only)

WIKA Type 23X.30 stainless steel gauges have a solid-front/blow-out back safety case. This gauge is an ideal choice for process, chemical, petrochemical, oil exploration and production, power generation applications, and any other application which demands reliable pressure measurement instrumentation.

Standard Features

- **Nominal Case Size:** 2½" (68 mm), 4" (100 mm), 6" (160 mm)
- **Case Material:** 304 stainless steel
- **Wetted Parts:** 316 SS
- **Window Type & Material:** Polycarbonate (2½"), Safety Glass (4" and 6")
- **Removable Window:** Yes, twist-off bayonet
- **Dial Material:** White aluminum
- **Bezel Ring Type & Material:** Twist-on bayonet ring- SS
- **Liquid Fillable Gauge:** Yes, lower mount- LM (Order Type 233.30 for liquid filled)
- **Case-to-Socket O-ring Material:** Welded (LM); BUNA-N (LBM)
- **"Other" Gaskets/O-ring Types & Materials:** Window gasket, BUNA-N
- **Pointer Material/Type:** Black aluminum - adjustable
- **Accuracy:** (2½") ±2/1/2% ASME B40.100 Grade A; (4") 1% ASME B40.100 Grade 1A
- **Connection Locations:** LM (lower mount) & LBM (lower back mount)
- **Media Operating Temperature:** Max. 212°F - liquid fill max. 392°F - dry
- **Ambient Operating Temperature:** -40°F to 140°F dry; -4°F to 140°F glycerine case fill; -40°F to 140°F- silicone case fill

Available Options

- "Dampened Movement" Option: Yes
- U-Clamp Bracket: No
- Front Flange: Yes (LBM only)
- Rear Flange: Yes (4" only - stands off from case)
- Restrictor: Yes
- Safety Glass Window: Yes
- Drag Pointer (maximum reading indicator): Yes
- Cleaned for Use in Oxygen Service: Yes
- Magnetic or Inductive Contact Switches: Yes
- Receiver Gauge Scales: Yes
- Special Connection: Limited wrench to flat area

Note: For options not shown - consult your WIKA Distributor or the Factory.

Additional accessories available - see "Accessories" section in back of catalog

Datasheet: 23X.30

Type	232.30 (Dry)			
Datasheet	23X.30			
Conn. Size	¼" NPT			
Size	2½"			
Connection	LM		LBM	
Press. Scale ¹	PSI	PSI/KG/CM ²	PSI	PSI/KG/CM ²
30" Hg	9305645	9695600	9367071	9695783
30"-0-15 psi	9365044	9695618	9365079	
30"-0-30 psi	9314822	9695626	9481486	
30"-0-60 psi	9305378		9197141	
30"-0-100 psi	9542353		9319646	
30"-0-160 psi	9365052		9469168	
30"-0-200 psi	9367250			
10 psi	N/A	N/A	N/A	N/A
15 psi	9305653	9695635	9244808	9695791
30 psi	9240160	9695643	9244816	9695805
60 psi	9240179	9695651	9244832	9695813
100 psi	9240187	9695669	9244840	9695821
160 psi	9240195	9695677	9244859	9695839
200 psi	9240209	9695685	9244867	9695847
300 psi	9240217	9695694	9244875	9695855
400 psi	9240225	9695707	9244883	9695864
600 psi	9240233	9695715	9244905	9695872
800 psi				
1,000 psi	9240411	9695724	9244913	9695880
1,500 psi	9240420	9695732	9244921	
2,000 psi	9240438	9695740	9244930	9695898
3,000 psi	9240446	9695758	9244948	9695902
5,000 psi	9240454	9695766	9244956	9695910
10,000 psi	9305661	9695775	9244964	
15,000 psi	9482644		9153810	
20,000 psi	N/A	N/A	N/A	N/A

Accessories (installed) Applies to any quantity when added to standard stock gauges

FF, SS	FF
Restrictor, 316 SS	R

¹PSI/KG/CM² denotes dual scale; PSI outside in black, KG/CM² inside in red.
Note: Vacuum scale: 30" Hg outside in black; 760 mm Hg inside in red.

Items without part numbers are available - consult factory.

Type	232.30 (Dry)			
Datasheet	23X.30			
Size	4"			
Conn. Size	½" NPT			
Connection	LM		LBM	
Press. Scale	PSI	PSI/KG/CM²	PSI	PSI/KG/CM²
30" Hg	9366750	9695928	8596271	9696045
30"-0-15 psi				
30"-0-30 psi	9366776		9562559	
30"-0-60 psi				
30"-0-100 psi				
30"-0-160 psi				
30"-0-200 psi				
15 psi	9366830		9253289	
30 psi	9366849	9695936	9253270	
60 psi	9366857	9695945	8596298	
100 psi	9366865	9695953	9253084	
160 psi	9366873		8596301	
200 psi	9366881		9253076	
300 psi	9366890	9695961	9821082	
400 psi	9366903	9695979	8542805	
600 psi	9366911	9695987	9253050	
800 psi				
1,000 psi	9366938	9695995	8513554	
1,500 psi	9366946		8541574	
2,000 psi	9366954	9696003		
3,000 psi	9366962	9696011		
5,000 psi	9366970	9696029		
10,000 psi	9366989			
15,000 psi	9366997			
20,000 psi	8596336	9696037		

Accessories (installed) Applies to any quantity when added to standard stock gauges

FF, SS	FF		
Restrictor, 316 SS	R		
4½"	N/A		PM ADAPT
Panel Mount			

Type	233.30 (Liquid Filled) - LM only			
Datasheet	23X.30			
Connection	LM			
Conn. Size	¼" NPT		½" NPT	
Size	2½"		4"	
Press. Scale¹	PSI	PSI/KG/CM²	PSI	PSI/KG/CM²
30" Hg	9305637	9696054		
30"-0-15 psi	9366580			
30"-0-30 psi	9364994	9696062		
30"-0-60 psi	9366598			
30"-0-100 psi	9367853			
30"-0-160 psi	9319638	9696070		
30"-0-200 psi	9637141			
15 psi	9305394	9696088	9361081	9696240
30 psi	9251618	9696096	9361090	9696258
60 psi	9251626	9696100	9361103	9696266
100 psi	9251634	9696118	9361111	9696275
160 psi	9251642	9696126	9361120	9696283
200 psi	9251650	9696135	9361138	9696291
300 psi	9251669	9696143	9361146	9696305
400 psi	9251677	9696151	9361154	9696313
600 psi	9251685	9696169	9361162	9696321
800 psi	9251693		9361170	
1,000 psi	9251707	9696177	9361189	9696339
1,500 psi	9251715	9696185	9361197	9696347
2,000 psi	9251723	9696194	9361200	9696355
3,000 psi	9251731	9696207	9361219	9696364
5,000 psi	9251740	9696215	9361227	9696372
10,000 psi	9305629	9696224	9361235	9696380
15,000 psi	9542345	9696232	9361243	9696398
20,000 psi	N/A		9829601	9696402

Accessories (installed) Applies to any quantity when added to standard stock gauges

FF, SS	FF	FF
Restrictor, 316 SS	R	R

¹PSI/KG/CM² denotes dual scale; PSI outside in black, KG/CM² inside in red.
Note: Vacuum scale: 30" Hg outside in black; 760 mm Hg inside in red.

Items without part numbers are available - consult factory.

Industrial Gauges

Type 23X.50



Type 232.50 - Dry case
Type 233.50 - Liquid filled case

- All Stainless Steel Construction
- Field Liquid Fillable
- Welded Case-to-Socket Connection

The WIKA Type 23X.50 gauge offers a large dial, making it ideal to be read from a distance. The stainless steel wetted parts and case construction ensures a long service life in harsh applications. This gauge is used for chemical, oil exploration and production, power generation, and other applications requiring long lasting instrumentation.

Standard Features

- **Nominal Case Size:** 2½" (68 mm), 4" (100 mm), 4½" (115 mm), 6" (160mm)
- **Case Material:** 304 stainless steel
- **Wetted Parts:** 316L stainless steel
- **Window Type & Material:** Polycarbonate (2½"), Safety Glass (4", 4½" and 6")
- **Removable Window:** Yes, twist-off bayonet
- **Dial Material:** White aluminum
- **Bezel Ring Type & Material:** Twist-on bayonet ring - SS
- **Liquid Fillable Gauge:** Yes
- **Case-to-Socket O-ring Material:** No, welded
- **"Other" Gaskets/O-ring Types & Materials:** Window gasket, BUNA-N
- **Pointer Material/Type:** Black aluminum - adjustable
- **Accuracy:** (2½") ±2/1/2% of span ASME B40.100 Grade A; (4", 4½" & 6") ±1% of span ASME B40.100 Grade 1A
- **Connection Locations:** LM (lower mount): all
CBM (center back mount): 2½",
LBM (lower back mount): 4", 4½" & 6"
- **Media Operating Temperature:** Max. 212°F - liquid fill
max. 392°F - dry
- **Ambient Operating Temperature:** -40°F to 140°F
dry; -4°F to 140°F glycerine case fill;
-40°F to 140°F- silicone case fill

Available Options

- "Dampened Movement" Option: Yes
- U-Clamp Bracket: Yes (not available on 4½")
- Front Flange: Yes (CBM and LBM only)
- Rear Flange: Yes
- Restrictor: Yes
- Safety Glass Window: Yes
- Drag Pointer (maximum reading indicator): Yes
- Cleaned for Use in Oxygen Service: Yes
- Magnetic or Inductive Contact Switches: Yes
- Receiver Gauge Scales: Yes
- Special Connection: Limited to wrench flat area

Note: For options not shown - consult your WIKA Distributor or the Factory.

Additional accessories available -
see "Accessories" section in back of catalog

Datasheet: 23X.50

Type	232.50 (Dry)			
Datasheet	23X.50			
Size	2½"			
Conn. Size	¼" NPT			
Connection	LM ●		CBM †	
Press. Scale¹	PSI	PSI/KG/CM²	PSI	PSI/KG/CM²
30" Hg	9110992		9110054	
30"-0-15 psi				
30"-0-30 psi				
30"-0-60 psi				
30"-0-100 psi				
30"-0-160 psi				
30"-0-200 psi				
15 psi	9111000		9110062	
30 psi	9111018		9110070	
60 psi	9111026		9110089	
100 psi	9111034		9110097	
160 psi	9111042		9110100	
200 psi	9111050		9110119	
300 psi	9111069		9110127	
400 psi	9111077		9110143	
600 psi	9111085		9110151	
800 psi				
1,000 psi	9111107		9110178	
1,500 psi	9111115		9110186	
2,000 psi	9111123		9110194	
3,000 psi	9111131		9110208	
5,000 psi	9111140		9110216	
10,000 psi	9111158		9110224	
15,000 psi	9111166		9110232	

Accessories (installed) Applies to any quantity when added to standard stock gauges

FF, SS	N/A	FF
RF, SS	RF	
Restrictor, 316 SS	R	
Glycerine filling Type 233.50	233.50	

Items without part numbers are available - consult factory.

Type	232.50 (Dry)			
Datasheet	23X.50			
Size	4"			
Conn. Size	½" NPT			
Connection	LM ●		LBM †	
Press. Scale¹	PSI	PSI/KG/CM²	PSI	PSI/KG/CM²
30" Hg				
30"-0-15 psi				
30"-0-30 psi				
30"-0-60 psi				
30"-0-100 psi				
30"-0-160 psi				
30"-0-200 psi				
15 psi	9319492			
30 psi	9226860			
60 psi	9154671			
100 psi	9189459		50999452	
160 psi	9189467			
200 psi	9154701			
300 psi	9154710			
400 psi	9154728			
600 psi				
800 psi				
1,000 psi	9154752		50997591	
1,500 psi				
2,000 psi	9212744			
3,000 psi	9232087			
5,000 psi	9145664			
10,000 psi	9319506			
15,000 psi				
20,000 psi				

Accessories (installed)

Applies to any quantity when added to standard stock gauges

FF, SS	N/A	FF
RF, SS	RF	
Restrictor, 316 SS	R	
Glycerine filling Type 233.50	233.50	

Type	232.50 (Dry)			
Datasheet	23X.50			
Size	4½"			
Conn. Size	½" NPT			
Connection	LM		LBM	
	PSI	PSI/BAR	PSI	PSI/BAR
30" Hg	50474511		50474588	
30"-0-15 psi	50474529		50474596	
30"-0-30 psi	50474537		50474600	
30"-0-60 psi	50474545		50474618	
30"-0-100 psi	50474553		50474626	
30"-0-160 psi	50474561		50474634	
30"-0-200 psi	50474570		50474642	
15 psi	50474171		50474359	
30 psi	50474197		50474367	
60 psi	50474201		50474375	
100 psi	50474219		50474383	
160 psi	50474235		50474391	
200 psi	50474243		50474405	
300 psi	50474251		50474413	
400 psi	50474260		50474421	
600 psi	50474278		50474430	
800 psi	50474286		50474448	
1,000 psi	50474294		50474456	
1,500 psi	50474308		50474464	
2,000 psi	50474316		50474472	
3,000 psi	50474324		50474481	
5,000 psi	50474332		50474499	
10,000 psi	50474341		50474502	
15,000 psi	50474651		50474677	
20,000 psi	50474669		50474685	

Accessories (installed) Applies to any quantity when added to std. stock gauges

FF, SS	N/A	FF
RF, SS		RF
Restrictor, 316 SS		R
Glycerine Filled Type 233.50	233.50	

Type	232.50 (Dry)				
Datasheet	23X.50				
Size	6"				
Conn. Size	½" NPT				
Connection	LM			LBM	
	PSI	PSI/BAR	PSI/KG/CM²	PSI	PSI/KG/CM²
30" Hg	4213688	4213939	4214072	4214218	
30"-0-15 psi	4213696			4214226	
30"-0-30 psi	4213700			4214234	
30"-0-60 psi	4213718			4214242	
30"-0-100 psi	4213726			4214251	
30"-0-160 psi	4213734			4214269	
30"-0-200 psi	4213742			4214277	
10 psi					
15 psi	4213751	4213947	4214081	4214285	
30 psi	4213769	4213955	4214099	4214293	
60 psi	4213777	4213963	4214102	4214307	4214455
100 psi	4213785	4213971	4214111	4214315	4214463
160 psi	4213793	4213981	4214129	4214323	4214471
200 psi	4213807		4214137	4214331	4214480
300 psi	4213815	4213999	4214145	4214340	4214498
400 psi	4213823			4214358	
600 psi	4213831	4214005	4214153	4214366	4214501
800 psi	4213840			4214374	
1,000 psi	4213858	4214013	4214161	4214382	4214510
1,500 psi	4213866	4214021		4214391	
2,000 psi	4213874		4214170	4214404	4214528
3,000 psi	4213882	4214030	4214188	4214412	4214536
5,000 psi	4213891	4214048	4214196	4214421	4214544
10,000 psi	4213904	4214056	4214200	4214439	4214552
15,000 psi	4213912	4214064		4214447	
20,000 psi	4213921			4214587	

Accessories (installed) Applies to any quantity when added to standard stock gauges

FF, SS	N/A	FF
RF, SS		RF
Restrictor, 316 SS		R
Glycerine Filled Type 233.50	233.50	

"PSI/BAR" denotes dual scale; PSI outside in black, BAR inside in red. "PSI/KG/CM²" denotes dual scale; PSI outside in black, KG/CM² inside in red. Note: Vacuum scale: 30" Hg outside in black; 760 mm Hg inside in red.

Items without part numbers are available - consult factory.

Note: Stock items shown in **bold, blue** print.

Process Gauges

Type 21X.34



- Solid Front/Blow-Out Back Safety Case
- Field Liquid Fillable
- Copper Alloy Wetted Parts

Type 212.34 - Dry case
Type 213.34 - Liquid filled case

Specifically designed for the chemical and petroleum processing industries, WIKA Type 21X.34 process gauges have the construction, materials, and engineering it takes to withstand rugged conditions. They are engineered to deliver years of accurate service, while withstanding vibration, corrosive media, corrosive environments and a wide range of temperature extremes.

Standard Features

- **Nominal Case Size:** 4½" (115 mm) & 6" (160 mm)
- **Case Material:** Black- fiberglass reinforced thermoplastic (POCAN)
- **Wetted Parts:** Copper alloy
- **Window Type & Material:** Acrylic
- **Removable Window:** Yes, threaded ring
- **Dial Material:** White aluminum
- **Bezel Ring Type & Material:** Threaded ring
- **Liquid Fillable Gauge:** Yes
- **Case-to-Socket O-ring Material:** Viton
- **"Other" Gaskets/O-ring Types & Materials:**
Window gasket: BUNA-N, membrane: EPDM
- **Pointer Material/Type:** Black aluminum- adjustable
- **Adjustable Pointer:** Yes, under window
- **Accuracy:** ±0.5% of span ASME B40.100 Grade 2A
- **Connection Locations:** LM (lower mount)
- **Restrictor:** Standard
- **Media Operating Temperature:** Max. 150°F
- **Ambient Operating Temperature:** -40°F to 150°F dry;
-4°F to 150°F-glycerine case fill; -40°F to 150°F- silicone case fill

Available Options

- "Dampened Movement" Option: Yes
- U-Clamp Bracket: No
- Front Flange: No (panel mount adaptor kit available)
- Rear Flange: Yes, integral to case
- Safety Glass Window: Yes
- Instrument Glass Window (flat glass): Yes
- Drag Pointer (maximum reading indicator): Yes
- Cleaned for Use in Oxygen Service: Yes
- Panel Mount Kit: Yes
- External Zero Adjustment: Yes
- Magnetic or Inductive Contact Switches: Yes (field installable)
- Receiver Gauge Scales: Yes
- Special Connection: Limited to wrench flat area

Note: For options not shown - consult your WIKA Distributor or the Factory.

Type	212.34 - Receiver Scales	
Datasheet	21X.34	
Size	4½"	
Connection	LM	
Conn. Size	¼" NPT	½" NPT
100%	9837060	
10 sq. rt.	9837078	

Items without part numbers are available - consult factory.

Note: Stock items shown in bold, blue print.

Type (Case Fill)	212.34	213.34
Datasheet	21X.34	21X.34
Size	4 ½"	4 ½"
Wetted Parts	Brass	Brass
Connection	LM	LM
Press. Scale	PSI	PSI
Conn. Size	¼" NPT	½" NPT
30 "Hg	9834036	9834257
30"-0-15 psi	9834044	9834265
30"-0-30 psi	9834052	9834273
30"-0-60 psi	9834060	9834281
30"-0-100 psi	9834079	9834290
30"-0-160 psi	9834087	9834303
30"-0-200 psi	9834095	
15 psi	9834117	9834338
30 psi	9834125	9834346
60 psi	9834133	9834354
100 psi	9834141	9834362
160 psi	9834150	9834370
200 psi	9834168	9834389
300 psi	9834176	9834397
400 psi	9834184	9834400
600 psi	9834192	9834419
800 psi	9834982	9834990
1,000 psi	9834206	9834427

Accessories (installed) ¹	
4½" Panel Mount ²	PM
Glycerine filling	213.34
Type 2XX.34 Silicone filling	SIL
Type 2XX.34 External Zero Adjustment	EXT ADJ

¹Applies to any quantity when added to standard stock gauges

² 4 ½" panel mounting kit (uninstalled) including polished 304 stainless steel ring.

Additional accessories available - see "Accessories" section in back of catalog

Note: Reference rear of catalog for psi/ft. H20 dual scales.

Datasheet: 21X.34

Process Gauges

Type 22X.34



- Solid Front/Blow-Out Back Safety Case
- Field Liquid Fillable
- 1019 Alloy Steel Socket/316SS Bourdon Tube

Type 222.34 - Dry case
Type 223.34 - Liquid filled case

The WIKA Type 22X.34 alloy steel socket process gauge has all the standard features found on a WIKA process gauge, including smooth, machined movements; high accuracy; and standard under/overload stops. WIKA's Type 22X.34 is suitable for tough applications in the following industries: petroleum, chemical, pharmaceutical, process, energy, and plant construction & contracting.

Standard Features

- **Nominal Case Size:** 4½" (115 mm)
- **Case Material:** Black- fiberglass reinforced thermoplastic (POCAN)
- **Wetted Parts:** 1019 steel socket/316SS Bourdon tube
- **Window Type & Material:** Acrylic
- **Removable Window:** Yes, threaded ring
- **Dial Material:** White aluminum
- **Bezel Ring Type & Material:** Threaded ring
- **Liquid Fillable Gauge:** Yes (glycerine not recommended)
- **Case-to-Socket O-ring Material:** Viton
- **"Other" Gaskets/O-ring Types & Materials:**
Window gasket: BUNA-N, membrane: EPDM
- **Pointer Material/Type:** Black aluminum- adjustable
- **Adjustable Pointer:** Yes, under window
- **Accuracy Class:** ±0.5% of span (ASME B40.100 Grade 2A)
±1.0% of span (ASME B40.100 Grade 1A)
(for 20,000 psi range and above)
- **Connection Locations:** LM (lower mount)
- **Restrictor:** Standard
- **Media Operating Temperature:** Max. 212°F
- **Ambient Operating Temperature:** -40°F to 150°F dry;
-40°F to 150°F- silicone case fill

Available Options

- "Dampened Movement" Option: Yes
- U-Clamp Bracket: No
- Front Flange: No (special panel mount kit available)
- Rear Flange: Yes, integral to case
- Safety Glass Window: Yes
- Instrument Glass Window (flat glass): Yes
- Drag Pointer (maximum reading indicator): Yes
- Cleaned for Use in Oxygen Service: Yes
- Panel Mount Kit: Yes
- External Zero Adjustment: Yes
- Magnetic or Inductive Contact Switches: Yes (field installable)
- Receiver Gauge Scales: Yes
- Special Connection: Limited wrench flat area

Note: For options not shown - consult your WIKA Distributor or the Factory.

Additional accessories available - see "Accessories" section in back of catalog

Items without part numbers are available - consult factory.

Type	222.34
Datasheet	22X.34
Connection	LM
Conn. Size	½" NPT
Size	4½"
Press. Scale	PSI
30" Hg	4332670
30"-0-15 psi	4353639
30"-0-30 psi	4353647
30"-0-60 psi	4353656
30"-0-100 psi	4353664
30"-0-160 psi	4353672
30"-0-200 psi	4353680
15 psi	4353532
30 psi	4332688
60 psi	4332696
100 psi	4332709
160 psi	4332717
200 psi	4332725
300 psi	4353698
400 psi	4332733
600 psi	4332741
800 psi	4353702
1,000 psi	4332751
1,500 psi	4353728
2,000 psi	4353736
3,000 psi	4353745
5,000 psi	4353753
15,000 psi	
20,000 psi	
30,000 psi	
Accessories (installed)¹	
4½" Panel Mount ²	PM
External Zero Adjustment	EXT ADJ

Note: Additional scales available; contact factory for more information

Datasheet: 22X.34

Process Gauges

Type 23X.34

- Solid Front/Blow-Out Back Safety Case
- Stainless Steel Wetted Parts
- Now Available in a 6" Case



Type 232.34 - Dry case
Type 233.34 - Liquid filled case

WIKA Type 23X.34 process gauges are specifically designed for the chemical and petroleum processing industries. Their rugged construction is designed to withstand vibration, corrosive media and corrosive environments, and a wide range of temperatures. The 23X.34 process gauge will deliver years of accurate service.

Standard Features

- **Nominal Case Size:** 4½" (115 mm) & 6" (160 mm)
- **Case Material:** Black- fiberglass reinforced thermoplastic (POCAN)
- **Wetted Parts:** 316SS
- **Window Type & Material:** Acrylic
- **Removable Window:** Yes, threaded ring
- **Dial Material:** White aluminum
- **Bezel Ring Type & Material:** Threaded ring
- **Liquid Fillable Gauge:** Yes*
- **Case-to-Socket O-ring Material:** Viton
- **"Other" Gaskets/O-ring Types & Materials:**
Window gasket: BUNA-N, membrane: EPDM
- **Pointer Material/Type:** Black aluminum- adjustable
- **Adjustable Pointer:** Yes, under window
- **Accuracy Class:** ±0.5% of span (ASME B40.100 Grade 2A)
±1.0% of span (ASME B40.100 Grade 1A)
(for 20,000 psi range and above)
- **Connection Locations:** LM (lower mount)
& LBM (lower back mount) (4½" only)
- **Restrictor:** Standard
- **Media Operating Temperature:** Max. 212°F
- **Ambient Operating Temperature:** -40°F to 150°F dry;
-4°F to 150°F-glycerine case fill;
-40°F to 150°F- silicone case fill

Available Options

- "Dampened Movement" Option: Yes
- U-Clamp Bracket: No
- Front Flange: No (special panel mount kit available)
- Rear Flange: Yes, integral to case
- Safety Glass Window: Yes
- Instrument Glass Window (flat glass): Yes
- Drag Pointer (maximum reading indicator): Yes
- Cleaned for Use in Oxygen Service: Yes
- Panel Mount Kit: Yes
- External Zero Adjustment: Yes
- Magnetic or Inductive Contact Switches: Yes
- Receiver Gauge Scales: Yes (field installable)
- Special Connection: Limited to wrench flat area

Note: For options not shown - consult your WIKA Distributor or the Factory.

*LBM (lower back mount) dry case does not come prepared for liquid filling

Additional accessories available -
see "Accessories" section in back of catalog

Datasheet: 23X.34

Type	232.34				
Datasheet	23X.34				
Size	4½"				
Connection	LM				LBM
Conn. Size	¼" NPT	½" NPT			½" NPT
Press. Scale ¹	PSI	PSI	PSI/KG/CM ²	PSI/KPA ²	PSI
30" Hg	9834478	9834729	9696410	9837604	4217004
30"-0-15 psi	9834486	9834737	9696428	9837566	
30"-0-30 psi	9834494	9834745	9696436	9837523	4220854
30"-0-60 psi	9834508	9834753	9696445	9837485	
30"-0-100 psi	9834516	9834761	9696453	9792818	
30"-0-160 psi	9834524	9834770	9696461		
30"-0-200 psi	9834532	9834788		9837361	
30"-0-300 psi	4260163	4260180			
30"-0-400 psi	4260171	4260198			
15 psi	9834559	9834800	9696479	9776885	4242131
30 psi	9834567	9834818	9696487	9837680	4247923
60 psi	9834575	9834826	9696495	9776877	9797607
100 psi	9834583	9834834	9696509	9837760	9797615
160 psi	9834591	9834842	9696517	9776869	9797624
200 psi	9834605	9834850	9696525	9837841	9797632
300 psi	9834613	9834869	9696534	9837884	9797640
400 psi	9834621	9834877	9696542	8985116	9797658
600 psi	9834630	9834885	9696550	9837965	9797666
800 psi	9835008	9834974	9696568		9797675
1,000 psi	9834648	9834893	9696576	9778918	9797683
1,500 psi	9793318	9834907	9696585	9838082	4247931
2,000 psi	9793661	9834915	9696593	9838120	4247940
3,000 psi	9748911	9834923	9696606	9838163	4247958
5,000 psi	9793521	9834931	9696615	9838201	4247966
10,000 psi	9793679	9834940	9696623	9838244	
15,000 psi		9834958	9696631		
20,000 psi	N/A	9834966	9696649		
30,000 psi	N/A	4255691			

Accessories (installed) Applies to any quantity when added to standard stock gauges

4½" Panel Mount ²	PM
Glycerine filling Type 233.34	233.34
Silicone filling Type 233.34	SIL
External Zero Adjustment	EXT ADJ

¹ "PSI/KG/CM²" denotes dual scale; PSI outside in black, KG/CM² inside in red.
 Note: Vacuum scale: 30"Hg outside in black; 760 mm Hg inside in red
² 4 ½" panel mounting kit (uninstalled) including polished 304 stainless steel ring

NOTE: Reference "Accessories" section in back of catalog for H20 dual scales and alarm contacts

Type	233.34 - 4½"		
Connection	LM		
Conn. Size	¼" NPT	½" NPT	½" NPT
Size	4½"		
Press. Scale	PSI	PSI	PSI/KPA
30" Hg	9833735	9833914	9836769
30"-0-15 psi	9833744	9833922	9836777
30"-0-30 psi	9833752	9833930	9836785
30"-0-60 psi	9833760	9833948	9836794
30"-0-100 psi	9833778	9833956	9836807
30"-0-160 psi	9833786	9833965	
30"-0-200 psi	9833795	9833973	9836815
15 psi	9833808	9833981	9836824
30 psi	9833816	9833999	9836832
60 psi	9833825	9834006	9836840
100 psi	9833833	9834015	9836858
160 psi	9833841	9834023	9836866
200 psi	9833859	9834031	9836875
300 psi	9833867	9834049	9836883
400 psi	9833875	9834057	9836891
600 psi	9833884	9834065	9836905
800 psi	9833905	9834155	
1,000 psi	9833892	9834074	9836913
1,500 psi		9834082	9836921
2,000 psi		9834090	9836939
3,000 psi		9834104	9836947
5,000 psi		9834112	9836955
10,000 psi		9834120	
15,000 psi		9834138	
20,000 psi		9834146	

LF Conv. Kits (Use for preparing a dry gauge for LF)

For use with	Conn	P/N
Glycerine/silicone material: EPDM	LM	1126768
Halocarbon material: Viton	LBM	2044480
	LM	126903
	LBM	2044498

Kit includes: membrane, filling plug, and instructions (no filling fluid)

For Types 2XX.34 4½"

Items without part numbers are available - consult factory.

Note: Stock items shown in bold, blue print.

Type	232.34		
Datasheet	23X.34		
Connection	LM		
Conn. Size	1/2" NPT		
Size	6"		
Press. Scale ¹	PSI	PSI/KG/CM ²	PSI/KPA ²
30" Hg	4317492		
30"-0-15 psi			
30"-0-30 psi			
30"-0-60 psi			
30"-0-100 psi			
30"-0-160 psi			
30"-0-200 psi			
30"-0-300 psi			
30"-0-400 psi			
15 psi			
30 psi	4317505		
60 psi	4317513		
100 psi	4317590		
160 psi	4317521		
200 psi	4317531		
300 psi	4317549		
400 psi			
600 psi	4317557		
800 psi			
1,000 psi	4317565		
1,500 psi	4343281		
2,000 psi			
3,000 psi			
5,000 psi			
10,000 psi			
15,000 psi			
20,000 psi			
30,000 psi			

Accessories (installed) Applies to any quantity when added to standard stock gauges

Glycerine filling	233.34
Type 233.34	
Silicone filling	SIL
Type 233.34	

¹PSI/KG/CM² denotes dual scale; PSI outside in black, KG/CM² inside in red. Note: Vacuum scale: 30" Hg outside in black; 760 mm Hg inside in red ² 4 1/2" panel mounting kit (uninstalled) including polished 304 stainless steel ring

Items without part numbers are available - consult factory.

Type	232.34- Receiver Scales		
Datasheet	23X.34		
Size	4 1/2"		
Connection	LM		LBM
Conn. Size	1/4" NPT	1/2" NPT	1/2" NPT
100%	9837108	9837124	4260228
10 sq. rt.	9837116	9837132	4260236

Dampened Movement Gauges

Type	232.34 "Damp"
Datasheet	232.34
Wetted Parts	316 SS
Connection	LM
Conn. Size	1/2" NPT
Size	4 1/2"
Press. Scale	PSI
0" Hg	4334478
30"-0-15 psi	
30"-0-30 psi	
30"-0-60 psi	
30"-0-100 psi	
30"-0-160 psi	
30"-0-200 psi	
30"-0-300 psi	
30"-0-400 psi	
15 psi	4339623
30 psi	4334486
60 psi	4334494
100 psi	4333960
160 psi	4333978
200 psi	4334507
300 psi	4337329
400 psi	4333986
600 psi	4334515
800 psi	4334523
1,000 psi	4334531
1,500 psi	4334541
2,000 psi	4333994
3,000 psi	4334559
5,000 psi	4334567
10,000 psi	
15,000 psi	
20,000 psi	
30,000 psi	

Dampened Movement Option
(Type 232.34) "Damp"

Size	Code
4 1/2"	DAMP

Items without part numbers are available - consult factory.

Process Gauges

Type 26X.34

- Solid Front/Blow-Out Back Safety Case
- Field Liquid Fillable
- Monel® Wetted Parts



Type 262.34 - Dry case
Type 263.34 - Liquid filled case

WIKA's Type 26X.34 process gauge features all of the same benefits as the popular 232.34 stainless steel wetted parts gauge, but with the added advantage of Monel® wetted parts for process media conditions that require it. WIKA Type 26X.34 is ideal for applications in several process industries including petroleum, chemical, energy, and plant construction/contracting.

Standard Features

- **Nominal Case Size:** 4½" (115 mm) & 6" (160 mm)
- **Case Material:** Black- fiberglass reinforced thermoplastic (POCAN)
- **Wetted Parts:** Monel (K500 alloy Bourdon tube; M400 socket & end cap)
- **Window Type & Material:** Acrylic
- **Removable Window:** Yes, threaded ring
- **Dial Material:** White aluminum
- **Bezel Ring Type & Material:** Threaded ring
- **Liquid Fillable Gauge:** Yes
- **Case-to-Socket O-ring Material:** Viton
- **"Other" Gaskets/O-ring Types & Materials:**
Window gasket: BUNA-N, membrane: EPDM
- **Pointer Material/Type:** Black aluminum- adjustable
- **Adjustable Pointer:** Yes, under window
- **Accuracy:** ±0.5% of span ASME B40.100 Grade 2A
- **Connection Locations:** LM (lower mount)
- **Restrictor:** Standard
- **Media Operating Temperature:** Max. 212°F
- **Ambient Operating Temperature:** -40°F to 150°F dry;
-4°F to 150°F-glycerine case fill; -40°F to 150°F- silicone case fill

Available Options

- "Dampened Movement" Option: Yes
- U-Clamp Bracket: No
- Front Flange: No (special panel mount kit available)
- Rear Flange: Yes, integral to case
- Safety Glass Window: Yes
- Instrument Glass Window (flat glass): Yes
- Drag Pointer (maximum reading indicator): Yes
- Cleaned for Use in Oxygen Service: Yes
- Panel Mount Kit: Yes
- External Zero Adjustment: Yes
- Magnetic or Inductive Contact Switches: Yes (field installable)
- Receiver Gauge scales: Yes
- Special Connection: Limited to wrench flat area

Note: For options not shown - consult your WIKA Distributor or the Factory.

Type	262.34
Datasheet	26X.34
Wetted Parts	Monel
Connection	LM
Conn. Size	½" NPT
Size	4½"
Press. Scale	PSI
30" Hg	9835016
30"-0-15 psi	9835024
30"-0-30 psi	9835032
30"-0-60 psi	9835040
30"-0-100 psi	9835059
30"-0-160 psi	9835067
30"-0-200 psi	9835075
15 psi	9835091
30 psi	9835105
60 psi	9835113
100 psi	9835121
160 psi	9835130
200 psi	9835148
300 psi	9835156
400 psi	9835164
600 psi	9835172
800 psi	9835180
1,000 psi	9835199
1,500 psi	9835202
2,000 psi	9835210
3,000 psi	9835229
5,000 psi	9835237
10,000 psi	
15,000 psi	
20,000 psi	N/A

Accessories ¹	
4½" Panel Mount ²	PM
Glycerine filling Type 263.34	263.34
Silicone filling Type 263.34	SIL
External Zero Adjustment	EXT ADJ

Items without part numbers are available - consult factory.

Additional accessories available - see "Accessories" section in back of catalog

Datasheet: 26X.34

Process Gauges

Type 232.34DD (Direct Drive)



- **Direct Drive; Movementless Gauge**
- **Solid Front/Blow-Out Back Safety Case**
- **External Zero-aAdjustment**

WIKA Type 232.34DD Direct Drive Process Gauges features a direct drive, movementless pressure system. With a shock absorbing Bourdon tube by design, these gauges are an effective means for guarding against severe shock and vibration applications. The 232.34DD is manufactured in a standard yellow 4½” process turret style case (additional colors available) and comes standard completely equipped with an external zero adjust and a high .5% full scale accuracy.

Standard Features

- **Nominal Case Size:** 4½" (115 mm)
- **Case Material:** Yellow-fiberglass reinforced thermoplastic (POCAN)
- **Wetted Parts:** Inconel X-750 / 316 SS
- **Window Type & Material:** Clear acrylic with Buna-N gasket
- **Removable Window:** Yes, threaded ring
- **Dial Material:** White aluminum
- **Bezel Ring Type & Material:** Threaded ring
- **Liquid Fillable Gauge:** No (not required)
- **Case-to-Socket O-ring Material:** Viton
- **“Other” Gaskets/O-ring Types & Materials:** Window gasket, BUNA-N
- **Pointer Material/Type:** Black aluminum
- **Adjustable Pointer:** No (external zero-rest)
- **Accuracy:** ±0.5% of span ASME B40.100 Grade 2A
- **Connection Locations:** LM (lower mount)
- **Media Operating Temperature:** -65°F to +250°F
- **Ambient Operating Temperature:** -65°F to 190°F; (-54°C to +88°C)


Available Options

- “Dampened Movement” Option: No (not required)
- U-Clamp Bracket: No
- Front Flange: No (special panel mount kit available)
- Rear Flange: Yes, integral to case
- Restrictor: Yes
- Safety Glass Window: No
- Instrument Glass Window (flat glass): No
- Drag Pointer (maximum reading indicator): No
- Cleaned for Use in Oxygen Service: Yes
- Panel Mount Kit: Yes
- Magnetic or Inductive Contact Switches: No
- Receiver Gauge scales: No
- Special Connection: Limited to wrench flat area

Note: For options not shown - consult your WIKA Distributor or the Factory.

Additional accessories available - see "Accessories" section in back of catalog

Datasheet: 232.34DD

Type	232.34DD
Datsheet	232.34DD
Wetted Parts	Inconel X-750/ 316 SS
Connection	LM 
Conn. Size	½" NPT
Size	4½"
Press. Scale	PSI
-30-0-30 psi	4206838
-30-0-60 psi	4332769
-30-0-150 psi	4332785
-30-0-300 psi	4342348
0 - 30 psi	4213117
0 - 60 psi	4206846
0 - 100 psi	4332822
0 - 160 psi	4332831
0 - 200 psi	4332840
0 - 300 psi	4332858
0 - 400 psi	4341768
0 - 500 psi	4332874
0 - 1,000 psi	4332891
0 - 1,500 psi	4332903
0 - 2,000 psi	4346242
0 - 3,000 psi	4379604
0 - 5,000 psi	4332939

Items without part numbers are available - consult factory.

NOTE: Due to the small I.D. and "plugging" nature of this pressure system, the addition of an **Isolater** or **Diaphragm Seal** used in conjunction with this product is highly recommended.

Process Gauges

Type 212.25

- **Black Aluminum Hinged-Ring Case**
- **Solid-Front Safety Case Design**
- **Copper Alloy Wetted Parts**



WIKA's Type 212.25 4½" & 6" pressure gauges feature a solid-front aluminum case with a hinged ring for easy access to the adjustable pointer. These gauges are supplied with three threaded bolts in the back of the case which line up with existing standard panel hole patterns.

Standard Features

- **Nominal Case Size:** 4½" (115mm) & 6" (160mm)
- **Case Material:** Black painted aluminum with hinged-ring cover
- **Wetted Parts:** Copper alloy
- **Window Type & Material:** Flat instrument glass
- **Removable Window:** Yes, hinged ring cover
- **Dial Material:** White aluminum
- **Bezel Ring Type & Material:** Hinged-ring
- **Liquid Fillable Gauge:** No
- **Case-to-Socket O-ring Material:** N/A
- **"Other" Gaskets/O-ring Types & Materials:** Window gasket, silicone rubber
- **Pointer Material/Type:** Black aluminum- adjustable
- **Adjustable Pointer:** Yes, under-hinged window ring
- **Accuracy:** ±0.5% of span ASME B40.100 Grade 2A
- **Connection Locations:** LBM (lower back mount)
- **Media Operating Temperature:** Max. 150°F
- **Ambient Operating Temperature:** -40°F to 140°F

Available Options

- "Dampened Movement" Option: Yes
- U-Clamp Bracket: No (panel mount front flange standard)
- Front Flange: Yes, hinged ring design, standard
- Rear Flange: No
- Restrictor: Yes
- Safety Glass Window: Yes
- Instrument Glass Window (flat glass): Standard
- Drag Pointer (maximum reading indicator): No
- Cleaned for Use in Oxygen Service: Yes
- Panel Mount Kit: No
- Magnetic or Inductive Contact Switches: No
- Receiver Gauge Scales: Yes
- Special Connection: Limited to wrench flat area

Note: For options not shown - consult your WIKAL Distributor or the Factory.

Additional accessories available -
see "Accessories" section in back of catalog

Datasheet: 212.25

Type	212.25		
Datasheet	212.25		
Connection	Hinged Ring / LBM		
Press. Scale	PSI		
Size	4½"		6"
Conn. Size	¼" NPT	½" NPT	½" NPT
30" Hg	4234970	4235223	4235976
30"-0-15 psi	4234988	4235231	4235984
30"-0-30 psi	4234996	4235240	4235992
30"-0-60 psi	4235002	4235258	4236009
30"-0-100 psi	4235011	4235266	4236017
30"-0-160 psi	4235029	4235274	4236025
30"-0-200 psi	4235037	4235282	4236033
15 psi	4235045	4235291	4236041
30 psi	4235053	4235304	4236050
60 psi	4235061	4235312	4236068
100 psi	4235070	4235321	4236076
160 psi	4235088	4235339	4236084
200 psi	4235096	4235347	4236092
300 psi	4235100	4235355	4236106
400 psi	4235118	4235363	4236114
600 psi	4235126	4235371	4236122
800 psi	4235134	4235381	4236131
1,000 psi	4235142	4235399	4236149
Accessories¹ (installed)			
Restrictor	R		

¹Applies to any quantity when added to standard stock gauges.

Items without part numbers are available - consult factory.

Process Gauges

Type 232.25



- **Black Aluminum Hinged-Ring Case**
- **Solid-Front Safety Case Design**
- **Stainless Steel Wetted Parts**

WIKA Type 232.25 gauges have a glass covered hinged ring front with securing screws as standard. The adjustable pointer is easily accessed under the hinged ring front. Designed for panel mounting, the Type 232.25 gauge features 316 SS wetted parts and a one-piece aluminum solid-front safety case design. Well-suited for installations in process panel and control applications, Type 232.25 gauges meet ASME Grade 2A accuracy standards.

Standard Features

- **Nominal Case Size:** 4½" (115mm) & 6" (160mm)
- **Case Material:** Black painted aluminum with hinged ring-cover
- **Wetted Parts:** 316SS
- **Window Type & Material:** Flat instrument glass
- **Removable Window:** Yes, hinged-ring cover
- **Dial Material:** White aluminum
- **Bezel Ring Type & Material:** Hinged-ring
- **Liquid Fillable Gauge:** No
- **Case-to-Socket O-ring Material:** N/A
- **"Other" Gaskets/O-ring Types & Materials:** Window gasket, silicone rubber
- **Pointer Material/Type:** Black aluminum-adjustable
- **Adjustable Pointer:** Yes, under hinged-ring window
- **Accuracy:** ±0.5% of span ASME B40.100 Grade 2A
- **Connection Locations:** LBM (lower back mount)
- **Media Operating Temperature:** Max. 212°F
- **Ambient Operating Temperature:** -40°F to 140°F

Available Options

- "Dampened Movement" Option: Yes
- U-Clamp Bracket: No (panel mount front flange standard)
- Front Flange: Yes, standard
- Rear Flange: No
- Restrictor: Yes
- Safety Glass Window: Yes
- Instrument Glass Window (flat glass): Standard
- Drag Pointer (maximum reading indicator): No
- Cleaned for Use in Oxygen Service: Yes
- Panel Mount Kit: No
- Magnetic or Inductive Contact Switches: No
- Receiver Gauge Scales: Yes
- Special Connection: Limited to wrench flat area

Note: For options not shown - consult your WIKA Distributor or the Factory.

Additional accessories available - see "Accessories" section in back of catalog

Datasheet: 232.25

Type	232.25		
Datasheet	232.25		
Connection	Hinged Ring / LBM		
Press. Scale	PSI		
Size	4½"		6"
Conn. Size	¼" NPT	½" NPT	½" NPT
30" Hg	4235470	4235721	4236220
30"-0-15 psi	4235488	4235739	4236238
30"-0-30 psi	4235496	4235747	4236246
30"-0-60 psi	4235509	4235755	4236254
30"-0-100 psi	4235517	4235763	4236262
30"-0-160 psi	4235525	4235771	4236271
30"-0-200 psi	4235533	4235780	4236280
15 psi	4235541	4235798	4236298
30 psi	4235551	4235801	4236301
60 psi	4235569	4235810	4236319
100 psi	4235577	4235828	4236327
160 psi	4235585	4235836	4236335
200 psi	4235593	4235844	4236343
300 psi	4235606	4235852	4236351
400 psi	4235614	4235861	4236361
600 psi	4235622	4235879	4236379
800 psi	4235631	4235887	4236387
1,000 psi	4235640	4235895	4236395
1,500 psi	4235658	4235909	4236408
2,000 psi	4235666	4235917	4236416
3,000 psi	4235674	4235925	4236424
5,000 psi	4235682	4235933	4236432
10,000 psi	4235691	4235941	4236441
15,000 psi	4235703	4235950	4236450
20,000 psi	4235711	4235968	4236468

Accessories (installed)¹

Restrictor	R
------------	---

¹Applies to any quantity when added to standard stock gauges.

Items without part numbers are available - consult factory.

Advantages & Operating Principle of WIKA Sealgauges®

The WIKA **Type 4XX.XX Sealgauge® Diaphragm Gauge** provides an option for the traditional system filled gauge system seal assembly. The Sealgauge® is a mechanical alternative to a fluid-actuated system (diaphragm seal). A Sealgauge® is created by using a pressure or vacuum gauge and mechanically attaching a stainless steel rod from the gauge movement to a diaphragm. The stainless steel rod is attached to an upper housing, making it a one piece unit. To complete the Sealgauge® assembly, a lower housing is bolted to the upper housing, making it a compact unit.

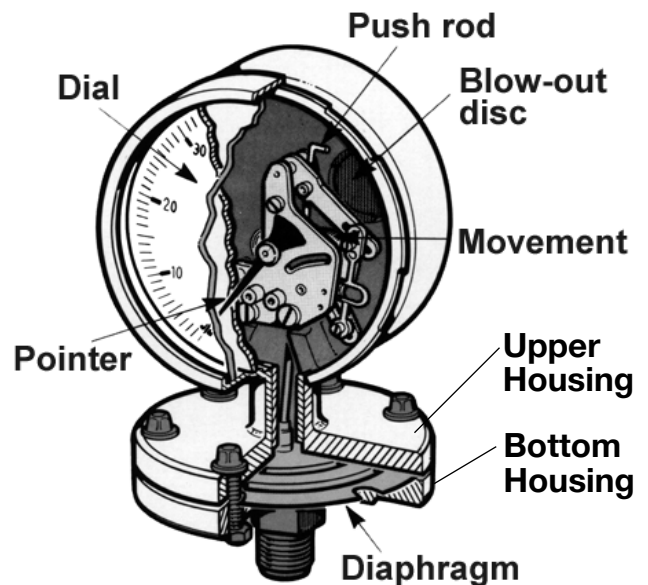
The Sealgauge® Diaphragm Gauge is built to withstand the corrosive, highly viscous and crystallizing media (gaseous or liquid) typical of the process industry. It is especially well suited for applications in the chemical, petrochemical, pulp and paper, and food processing industries, as well as in water and sewage treatment plants, and electric power plants.

The measured media exerts a force on the diaphragm. A metal pushrod welded to the top of the diaphragm transmits the deflection of the diaphragm to the movement. The movement, in turn, translates the lateral motion of the push rod into a rotational motion for the pointer.

The advantages of the WIKA Sealgauge® over separate components include a reduced sensitivity to shock and vibration, and a more compact design. And since the WIKA Sealgauge® does not use a fluid actuated system, the effects of temperature are reduced, it is easy to service, and it delivers exceptional accuracy in low pressure and vacuum applications.

The WIKA Sealgauge® is designed to measure pressures as low as 0-6" H₂O and as high as 0-600 psi. Allowable overpressures are up to three or five times the full scale range, depending on the range, with a maximum of 600 psi. All dry gauges come with an adjustable pointer and are available as an option on liquid-filled gauges. A flushing connection is also available.

In situations where pulsating pressure or vibration are severe, filling with glycerine, silicone, or Halocarbon® is recommended. For highly viscous or crystallizing fluids, the WIKA Sealgauge® can be fitted with an open connection flange. For very corrosive media, a variety of corrosion-resistant materials are available on special order.



Industrial Gauges

Type 42X.12, 43X.12



- Up to 5X Overpressure Protection
- One Piece Cast Iron Case
- Ideal for Clogging Media

WIKA Type 422.12 and 432.12 Sealgauges® offer superior protection from viscous and crystallizing media. Type 422.12 features carbon steel wetted parts, while Type 432.12 offers the corrosion protection of 316 stainless steel wetted parts. Each model is supplied with a standard black cast iron case and standard 1/2" NPT female connection.

Standard Features

- **Size:** 4" & 6" (100 & 160 mm)
- **Case:** Cast iron, black painted
- **Wetted Part Material:**
 - Bottom housing: black painted carbon steel (422.12) or 316 stainless steel (432.12)
 - Diaphragm: 300 series stainless steel
 - O-ring NBR (Buna-N)
- **Window:** Flat instrument glass
- **Pointer:** Aluminum black, adjustable
- **Connection:** 1/2" NPT female
- **Accuracy:** ± 1.5% of span
- **Bayonet Ring:** Stainless steel, black
- **Overpressure Safety:**
 - ranges ≤ 6 psi: 5x of full scale
 - ranges > 6 psi: 3x of full scale, not exceeding 600 psi

Available Options

- Open flange connections
- Case filling
- Special wetted materials
- Electrical alarm contacts
- (Dry cases not field fillable)

Abbreviations

LM - lower mount

Items shown with part numbers indicate readily available standard WIKA products. Items shown without part numbers are available on special order.

Additional accessories available - see "Accessories" section in back of catalog

Datasheet: 42X.12

Type	422.12		432.12	
Datasheet	42X.12			
Conn. Size	1/2" NPT Female LM			
Size	4"	6"	4"	6"
Vacuum/Compound Ranges				
30" Hg			9736336	
30"-0-15 psi				
30"-0-30 psi			9740087	
30"-0-60 psi			9740095	
30"-0-100 psi			9744105	
30"-0-160 psi				
30"-0-200 psi				
Pressure Ranges (PSI)				
10 psi	9744113			
15 psi			8683581	
30 psi	8558337		8558310	
60 psi	8681791		8683590	
100 psi	8558345		8657360	
160 psi			8683603	
200 psi	8681813		9744121	
300 psi			8547092	
400 psi			9697565	
600 psi	9744139		8681236	
Pressure Ranges (InWC)				
5" wc				
10" wc				
15" wc				
30" wc				
60" wc				
100" wc				
200" wc				

Industrial Gauges

Type 43X.30



Type 432.30 - dry case, NPT connection
 Type 433.30 - glycerine filled case, NPT connection

- **5X Overpressure Protection**
- **All Stainless Steel Construction**
- **Solid Front Case Design**

WIKA Type 432.30 Sealgauges® offer all stainless steel construction with a solid front, blow-out back safety case. This Sealgauges® is ideal for applications involving viscous and crystallizing media in harsh environments such as pulp & paper processing, chemical, petrochemical, and in water and sewage treatment plants.

Standard Features

- **Size:** 4" & 6" (100 & 160 mm)
- **Case & Upper Housing:** 304 stainless steel, solid front design with blow-out back
- **Wetted Parts Material:**
 - Bottom housing: 316L stainless steel
 - Diaphragm material:
 - ranges \leq 4 psi (100 InWC) 316L stainless steel
 - ranges $>$ 4 psi (100 InWC) NiCrCo-Alloy (Duratherm)
 - Gasket: FPM (Viton®)
- **Window:** Laminated safety glass
- **Pointer:** Aluminum black, adjustable
- **Bayonet Ring:** Stainless steel
- **Connection:** ½" NPT female
- **Accuracy:** \pm 1.5% of span
- **Overpressure Safety:**
 - 5x of full scale, not exceeding 600 psi

Type	432.30 (Dry)		433.30 (Liquid Filled)	
Datasheet	43X.30			
Conn. Size	½" NPT Female LM			
Size	4"	6"	4"	6"
Vacuum/Compound Ranges				
30" Hg				
30"-0-15 psi thru 30"-0-200 psi				
Pressure Ranges (PSI)				
6 psi thru 600 psi				
Pressure Ranges (InWC)				
5" wc thru 100" wc				

Available Options

- Open flange connections
- Case filling
- Special wetted materials
- Electrical alarm contacts
- Transmitters
- (Dry cases not field fillable)

Abbreviations

LM - lower mount

Additional accessories available - see "Accessories" section in back of catalog

Datasheet: 43X.30

Industrial Gauges

Type 43X.36

- High Overpressure Safe to 6000 psi
- All Stainless Steel Construction
- Solid Front Case Design



Type 432.36 - dry case, solid front
 Type 433.36 - glycerine filled case, solid front

The WIKA Type 43X.36 has all stainless steel construction and a high overpressure safety to 6000 psi. This Sealgauge® is ideal for applications involving viscous and crystallizing media in a harsh environment such as pulp & paper processing, chemical, petrochemical, and in water and sewage treatment plants.

Standard Features

- **Size:** 4" & 6" (100 & 160 mm)
- **Case:** 304 stainless steel, solid front design with blow-out back
- **Wetted Parts Material:**
 - Bottom housing: 316L stainless steel
 - Diaphragm material ranges \leq 4 psi (100 InWC) 316L stainless steel
 - ranges $>$ 4 psi (100 InWC) NiCrCo-Alloy (Duratherm)
 - Gasket: FPM (Viton®)
- **Bayonet Ring:** Stainless steel
- **Window:** Laminated safety glass
- **Pointer:** Aluminum black, adjustable
- **Connection:** ½" NPT female
- **Accuracy:** \pm 1.5% of span
- **Overpressure Safety:** 600 psi and 1500 psi (43X.56) or 6000 psi (43X.36)

Type	432.36 (Dry)		433.36 (Liquid Filled)	
DataSheet	43X.36			
Conn. Size	½" NPT Female LM			
Size	4"	6"	4"	6"
Vacuum/Compound Ranges				
30" Hg				
30"-0-15 psi thru 30"-0-200 psi				
Pressure Ranges (PSI)				
6 psi thru 600 psi				
Pressure Ranges (InWC)				
5" wc thru 100" wc				

* Ranges:

- 1) 0/6" wc to 1/100" wc
flange diameter (7.5 inches)
- 2) 0/160" wc to 0/600 psi
flange diameter (4.75 inches) as well all compound ranges within each range spread

Available Options

- Open flange connections
- Case filling
- Special wetted materials
- Electrical alarm contacts
- Transmitters
- (Dry cases not field fillable)

Abbreviations

LM - lower mount

Additional accessories available - see "Accessories" section in back of catalog

Datasheet: 43X.36

Industrial Gauges

Type 43X.50



Type 432.50 - dry case, NPT connection
Type 433.50 - glycerine-filled case, NPT connection

- High Overpressure Protection
- All Stainless Steel Construction
- Solid Front Case Design

WIKA Type 432.50 Sealgauges® feature all stainless steel construction and are built to withstand corrosive, highly viscous and crystallizing media. This Sealgauges® is ideal for applications in harsh environments such as pulp & paper processing, chemical, petrochemical, and in water and sewage treatment plants.

Standard Features

- **Size:** 4" & 6" (100 & 160 mm)
- **Case:** 304 stainless steel with pressure relief disc
- **Window:** Laminated safety glass
- **Pointer:** Aluminum black, adjustable
- **Bayonet Ring:** Stainless steel
- **Wetted Parts Material:**
 - Bottom housing: 316L stainless steel
 - Diaphragm material ranges ≤ 4 psi (100 InWC) Teflon® lined 316L stainless steel
 - Diaphragm material ranges > 4 psi (100 InWC) Teflon® lined NiCrCo-Alloy (Duratherm)
 - Gasket: Teflon®
- **Connection:** ½" NPT female
- **Accuracy:** ± 1.5% of span
- **Overpressure Safety:** 5X of full scale, not exceeding 600 psi

Available Options

- Open flange connections
- Case filling
- Special wetted materials
- Electrical alarm contacts
- Transmitters
- (Dry cases not field fillable)

Abbreviations

LM - lower mount

Items shown with part numbers indicate readily available standard WIKA products. Items shown without part numbers are available on special order.

Additional accessories available - see "Accessories" section in back of catalog

Datasheet: 432.50

Type	432.50 (Dry)		433.50 (Liquid Filled)	
Datasheet	432.50			
Conn. Size	½" NPT Female LM			
Size	4"	6"	4"	6"
Vacuum/Compound Ranges				
30" Hg				
30"-0-15 psi				
30"-0-30 psi	9744147			
30"-0-60 psi	9744155			
30"-0-100 psi				
30"-0-160 psi	9744164			
30"-0-200 psi				
Pressure Ranges (PSI)				
10 psi			8737134	
15 psi				
30 psi	8683360		9697603	
60 psi	8683379		8605548	
100 psi	8597952		8511950	
160 psi	8683387		8737118	
200 psi	9744172		8691320	
300 psi	8683409		8737126	
400 psi	9697581		8549176	
600 psi	9697599		8503370	
Pressure Ranges (InWC)				
5" wc				
10" wc				
15" wac				
30" wc				
60" wc				
100" wc				

Items without part numbers are available - consult factory.

Note: Stock items shown in bold, blue print.

Industrial Gauges

Type 45X.50

- Raised Face Flange
- PTFE Wetted Parts
- Ideal for Crystallizing Media



Type 452.50 - dry case, 1" 150# RF flange
 Type 453.50 - glycerine-filled case, 1" 150# RF flange

WIKA Type 452.50 Sealgauges® feature a 1", 150# open flange and PTFE wetted parts. The case (both upper and lower housing) and the measuring diaphragm are all 316 stainless steel. This Sealgauge® is ideal for applications involving viscous and crystallizing media in a harsh environment such as pulp & paper processing, chemical, petrochemical, and in water and sewage treatment plants.

Standard Features

- **Size:** 4" & 6" (100 & 160 mm)
- **Case:** 304 stainless steel with pressure relief disc
- **Wetted Parts Material:**
 - Bottom housing: Teflon® 316L stainless steel
 - Diaphragm material:
 - ranges \leq 4 psi (100 InWC) Teflon® lined 316L stainless steel
 - ranges $>$ 4 psi (100 InWC) Teflon® lined NiCrCo-Alloy (Duratherm)
- **Window:** Laminated safety glass
- **Pointer:** Aluminum black, adjustable
- **Connection:** 1" 150# RF flange or 2" 150# RF flange
- **Dial:** White aluminum
- **Accuracy:** \pm 2.5% of span
- **Overpressure Safety:** 5X of full scale, not exceeding 600 psi

Available Options

- Threaded metric (straight) connections
- Case filling
- Special wetted materials
- Electrical alarm contacts
- Transmitters
- 300# RF class connection (Dry cases not field fillable)

Abbreviations

LM - lower mount

Additional accessories available - see "Accessories" section in back of catalog

Datasheet: 452.50

Type	452.50	
Datasheet	452.50	
Conn. Size	1" ANSI 150# RF	
Size	4"	6"
Vacuum/Compound Ranges		
30" Hg		
30"-0-15 psi		
30"-0-30 psi		
30"-0-60 psi	8681570	
30"-0-100 psi		
30"-0-160 psi		
30"-0-200 psi		
Pressure Ranges (PSI)		
6 psi thru 600 psi		
Pressure Ranges (InWC)		
6" wc thru 10" wac		
16" wac thru 100" wc		

Items shown with part numbers indicate readily available standard WIKA products. Items shown without part numbers are available on special order.

Industrial Gauges

Type 43X.56



Type 432.56 - dry case, open front
Type 433.56 - glycerine filled case, open front

- High Overpressure Protection
- All Stainless Steel Construction
- Process Industry Design

WIKA Type 43X.56 Sealgauges® offer all stainless steel construction and a high overpressure safety to 600 psi or 1500 psi. This Sealgauges® is ideal for applications involving viscous and crystallizing media in a harsh environment such as pulp & paper processing, chemical, petrochemical, and in water and sewage treatment plants.

Standard Features

- **Size:** 4" & 6" (100 & 160 mm)
- **Case:** 304 stainless steel with pressure relief disc
- **Wetted Parts Material:**
 - Bottom housing: 316L stainless steel
 - Diaphragm material
 - ranges ≤ 4 psi (100 InWC) 316L stainless steel
 - ranges > 4 psi (100 InWC) NiCrCo-Alloy (Duratherm)
 - Gasket: FPM (Viton®)
- **Window:** Laminated safety glass
- **Pointer:** Adjustable
- **Connection:** 1/2" NPT female
- **Accuracy:** $\pm 1.5\%$ of span
- **Overpressure Safety:** 600 psi or 1500 psi

Available Options

- Open flange connections
- Case filling
- Special wetted materials
- Electrical alarm contacts
- Transmitters
- (Dry cases not field fillable)

Abbreviations

LM - lower mount

Additional accessories available - see "Accessories" section in back of catalog

Type	432.56 (Dry)		433.56 (Liquid Filled)	
Datasheet	43X.56			
Conn. Size	1/2" NPT Female LM			
Size	4"	6"	4"	6"

Vacuum/Compound Ranges				
30" Hg thru 30"-0-200 psi				
Pressure Ranges (PSI)				
6 psi - 600 psi				
Pressure Ranges (InWC)				
5" wc - 100" wc				

Items shown with part numbers indicate readily available standard WIKA products. Items shown without part numbers are available on special order.

Datasheet: [43X.56](#)

Low Pressure Gauges

Low Pressure Gauges

Type 6X1.10



- **Black Steel Case**
- **Sensitive Capsule System**
- **Zero Adjustment Screw on Dial**

WIKAL Type 6X1.10 low pressure gauges are extremely sensitive and highly accurate. The capsule element pressure system is designed to measure pressure and vacuum of gaseous media from as low as 10" H₂O to 275" H₂O (10 psi). The finely polished nickel-silver pinion gear and shaft of the movement ensure repeatable accuracy.

Standard Features

- **Nominal Size:** 2" & 2½" (50 & 63 mm)
- **Case:** Black painted steel
- **Wetted Parts:** Copper alloy (611.10), Stainless steel (631.10)
- **Window:** Acrylic
- **Dial:** White aluminum
- **Pointer:** Black aluminum
- **Accuracy:** ± 1.5% of span

Brass movement with highly polished bearing surfaces;
zero adjustment screw on dial

Available Options

- Chrome-plated or black-painted steel front flange (FF)
- Brass restrictor
- Black-painted steel rear flange (RF)
- Alternate connections
- Vacuum and overpressure safety
- Instrument or safety glass
- Oxygen cleaning
- Adjustable red min/max pointer on window

Abbreviations

- LM - lower mount
- CBM- center back mount

Additional accessories available -
see "Accessories" section in back of catalog

Datasheet: 6X1.10

Type	611.10		
Datasheet	611.10		
Size	2"	2½"	
Connection	CBM	LM	CBM
Conn. Size	1/4" NPT		

Vacuum Range (dual scale)				
"H ₂ O	mm H ₂ O			
0-30	0-760		9852344	9851852
0-60	0-1500		9748321	9748339
0-100	0-2500		9747473	9747465

Pressure Ranges (dual scale)				
"H ₂ O	mm H ₂ O			
0-15	0-380		9851682	9851860
0-30	0-760		9851690	9855785
0-60	0-1500		9851704	9803432
0-100	0-2500		9851810	9851879
0-200	0-5000		9851828	9851887

oz./sq. in.	mm H ₂ O			
0-10	0-440		9851771	
0-15	0-660		9851780	
0-20	0-880		9851798	
0-30	0-1320		9851747	9851917
0-35	0-1540		9851801	9857273
0-60	0-2640		9851755	9803548
oz./sq. in.	" H ₂ O			
0-20	0-34		9851720	9857281
0-32	0-55		9851739	9855793

Pressure Ranges (single scale) PSI				
3 psi			9851925	9851836
5 psi			9851933	9851844
10 psi			4204212	4204221

Accessories (installed) ¹			
FF, chrome plated brass	FF C	FF C	FF C
FF, black painted steel	FF B	FF B	FF B
FF, SS			
Restrictor, brass	R	R	

¹Applies to any quantity when added to standard stock gauges
Items without part numbers are available - consult factory.

Note: Stock items shown in **bold, blue** print.

Low Pressure Gauges

Type 611.13

- **Black Plastic Case**
- **Snap-in-Acrylic Window**
- **Economy Capsule Gauge**



The WIKA Type 611.13 “swikap” low-pressure capsule gauge features a new state-of-the-art modular system. With fewer moving parts, this rugged gauge is well equipped to provide economic low pressure measurement of gaseous media. It is well suited to be utilized as part of your OEM application. It is available in 2 & 2 ½” dial sizes with a number of options, in ranges from 0 – 25” H₂O to 0 – 400” H₂O.

Standard Features

- **Size:** 2" & 2½" (50 & 63 mm)
- **Case:** Black plastic
- **Wetted Parts:** Copper alloy, POM
- **Window:** Snap-in, acrylic
- **Dial:** White aluminum
- **Pointer:** Black aluminum
- **Accuracy:** ± 2.5% of span

Available Options

Brass restrictor
 Alternative connections
 Vacuum and overpressure safety
 Zero adjust through window
 Black steel case (611.23)
 Cleaned for O₂ service
 Accuracy class 1.5%

Abbreviations

LM - lower mount
 CBM- Ccenter bBack mount

Available Sizes and Configurations 250 pc. minimum order quantities

Type	611.13			
Size	2"		2½"	
Connection	LM ●	CBM ■	LM ●	CBM ■
Conn. Size	1/8" NPT, 1/4" NPT; other by request			

Note: Minimum release quantity 250 pcs. per line item.

All standard vacuum and pressure scales available within the ranges of 0-25" H₂O and 0-400" H₂O.

Additional accessories available - see "Accessories" section in back of catalog

Datasheet: 611.13

Low Pressure Gauges

Type 612.20



- **Stainless Steel Case & Ring**
- **Copper Alloy Wetted Parts**
- **Zero Adjustment Screw on Dial**

WIKA Type 612.20 low pressure gauges feature a copper alloy capsule element that is designed to measure pressure and vacuum of gaseous media from as low as 2.5" H₂O to 275" H₂O (10 psi). The 4" dial size allows easy reading from a distance. The finely polished nickel-silver pinion gear and shaft of the movement ensure repeatable accuracy.

Standard Features

- **Size:** 4" & 6"(100 & 160 mm)
- **Case:** Stainless steel
- **Bayonet Ring:** Stainless steel
- **Wetted Parts:** Copper alloy
- **Window:** Instrument glass
- **Dial:** White aluminum
- **Pointer:** Black aluminum
- **Accuracy:** ± 1.5% of span

Brass movement with highly polished bearing surfaces;
zero adjustment screw on dial

Available Options

- Stainless steel front flange (FF) or stainless steel rear flange (RF)
- Brass restrictor
- Chrome-plated or black-painted steel front flange (FF)
- Alternative connections
- Vacuum and overpressure safety
- Acrylic or safety glass
- Oxygen cleaning
- Adjustable red min/max pointer on window
- 6" version available in ranges as low as 2.5" H₂O

Abbreviations

- LM - lower mount
- LBM- lower back mount

Items without part numbers are available - consult factory.

Note: Stock items shown in **bold, blue** print.

Additional accessories available - see "Accessories" section in back of catalog

Datasheet: 612.20

Type	612.20
Datasheet	612.20
Conn. Size	¼" NPT
Size	4"
Connection	LM LBM

Vacuum Range (dual scale)

"H ₂ O	mm H ₂ O		
0-30	0-760	9747724	

Pressure Ranges (dual scale)

"H ₂ O	mm H ₂ O		
0-15	0-380	9747732	
0-30	0-760	9747740	
0-60	0-1500	9747758	
0-100	0-2500	9747766	
0-200	0-5000	9747775	

oz./sq. in.	mm water		
0-10	0-440		
0-15	0-660		
0-20	0-880		
0-30	0-1320		
0-35	0-1540		
0-60	0-2640		

oz./sq. in.	"H ₂ O		
0-20	0-34		
0-32	0-55		

Pressure Ranges (single scale - PSI)

3 psi		9747783	
5 psi		9747791	
10psi		4246684	

Accessories (installed) Applies to any quantity when added to standard stock gauges

FF, chrome plated brass	N/A
FF, black painted steel	N/A
FF, SS	FF S
Restrictor, brass	R

Low Pressure Gauges

Type 6X2.34

- Rugged Thermoplastic Case
- Stainless Steel or Brass Wetted Parts
- Sensitive Capsule Movement



WIKA Type 6X2.34 low pressure process gauges offer accurate readings in harsh ambient conditions. They are able to measure the pressure of gaseous media from as low as 10" H₂O to 275" H₂O (10 psi) or other equivalent units of pressure or vacuum. The finely polished nickel-silver pinion gear and shaft of the movement ensure repeatable accuracy.

Standard Features

- **Size:** 4½" (115 mm)
- **Case:** Black thermoplastic, solid-front
- **Ring:** Black thermoplastic, threaded
- **Wetted Parts:** 612.34 - copper alloy, 632.34 - 316 stainless steel
- **Window:** Acrylic
- **Dial:** White aluminum
- **Pointer:** Black aluminum, adjustable
- **Accuracy:** ± 2/1/2% of span (ASME B40.100 Grade A)

Available Options

- 4½" panel mounting kit
- Brass restrictor
- Stainless steel restrictor
- Monel® wetted parts
- Vacuum or overpressure safety
- Flat instrument glass and safety glass
- Alternate connections
- Adjustable red min/max pointer on window

Available options per special request:

- Silicone case filling (633.34) min. range 40" H₂O and up
- Glycerine fill not available

* **Must be factory filled - not field fillable**

Abbreviations

LM - lower mount

Additional accessories available - see "Accessories" section in back of catalog

Datasheet: 6X2.34

Type	612.34 632.34
Size	4½"
Connection	LM
Conn. Size	¼" NPT
Wetted Parts	Brass 316SS

Pressure Ranges (dual scale)			
Outer Scale (black)	Inner Scale (red)		
0-10" H ₂ O	0-6 oz./in ²	4217063	4217187
0-15" H ₂ O	0-9 oz./in ²	4217071	4217195
0-20" H ₂ O	0-12 oz./in ²	4217080	4217209
0-30" H ₂ O	0-18 oz./in ²	4217098	4217217
0-40" H ₂ O	0-24 oz./in ²	4217101	4217225
0-60" H ₂ O	0-35 oz./in ²	4217110	4217233
0-80" H ₂ O	0-45 oz./in ²	4217128	4217241
0-100" H ₂ O	0-57 oz./in ²	4217136	4217250
0-150" H ₂ O	0-90 oz./in ²	4217144	4217268
0-5 psi	0-10"Hg	4217039	4217152
0-8 psi	0-16"Hg	4217047	4217161
0-10 psi	0-20"Hg	4217055	4217179

Accessories ¹		
Restrictor, brass, SS	R	R
4 ½"	PM	
Panel Mount ²		

¹Applies to any quantity when added to standard stock gauges.
²4½" panel mount kit includes polished 304 stainless steel ring.
 4½" panel mount kit not installed on gauge. Kit requires that it be field installed. Order panel mount kit as a separate item from gauge.

Items without part numbers are available - consult factory.

Note: Stock items shown in bold, blue print.

Low Pressure Gauges

Type 63X.50

- **Stainless Steel Case & Ring**
- **Stainless Steel Wetted Parts**
- **Zero Adjustment Screw on Dial**



Type 632.50 - Dry case
*Type 633.50 - Liquid filled case

WIKAI Type 632.50 low pressure gauges offer the corrosion resistance of 316 stainless steel wetted parts able to measure pressure and vacuum of gaseous media from as low as 1" H₂O to 275" H₂O (10 psi). The finely polished nickel silver pinion gear and shaft of the movement ensure repeatable accuracy.

Standard Features

- **Size:** 2½", 4" & 6" (63, 100 & 160 mm)
- **Case:** Stainless steel
- **Ring:** Polished stainless steel
- **Wetted Parts:** 316 stainless steel
- **Window:** Laminated safety glass
- **Dial:** White aluminum
- **Pointer:** Black aluminum
- **Accuracy:** ± 1.5% of span

Zero adjustment screw on dial

Available Options

- Stainless steel front flange (FF) (4" and 6" only)
- Stainless steel rear flange (RF)
- Stainless steel restrictor
- Vacuum and overpressure safety
- Alarm contacts (inductive only) (4" and 6" only)
- Oxygen cleaning
- Adjustable red min/max pointer on window
- 6" version available in ranges as low as 1" H₂O

Available options per special request:

- Silicone case filling: 4" & 6" only, for ranges 40" H₂O and up, only available with plastic window
- Glycerine/water mixture case fill available

***Must be factory filled - not field fillable**

Abbreviations

- LM - lower mount
- LBM - lower back mount

Additional accessories available - see "Accessories" section in back of catalog

Datasheet: 632.50

Type	632.50		
Size	2½"	4"	6"
Connection	LM / CBM	LM LBM	LM / LBM
Conn. Size	1/4" NPT	1/2" NPT	1/2" NPT
Compound Ranges			
5-0-5" H ₂ O		9804439	
10-0-10" H ₂ O		9804447	
15-0-15" H ₂ O		9804455	
15" H ₂ O-0-5 psi		9804412	
Pressure Ranges ("H ₂ O)			
0-15" H ₂ O		9804323	
0-20" H ₂ O		9804471	
0-30" H ₂ O		9804315	
0-60" H ₂ O		9804498	
0-100" H ₂ O		9859314	
0-200" H ₂ O		9804501	
Pressure Ranges (PSI)			
0-5 psi		9804307	
0-10 psi		9804420	

Accessories¹

FF, SS	FF
Restrictor, 316 SS	R

¹Applies to any quantity when added to standard stock gauges.

Items without part numbers are available - consult factory.

Note: Stock items shown in **bold, blue** print.

Differential & Duplex Gauges

Differential Gauges

Type 700.04

- **Piston-Style**
- **Up to 6,000 PSIG**
- **Dry or Liquid Filled**



This piston-style differential pressure gauge is designed for use with clean liquid or gaseous media where high differential pressure/static process pressures are required. Type 700.04 is suitable for measuring pressure drops across a variety of devices, including filters, strainers, separators, and heat exchangers.

Standard Features

- **Size:** 2½" & 4½" (63mm, 115mm)
- **Connection:** 2 x ¼" NPT female, back mount
- **Wetted parts:**
 - Ceramic magnet (standard)
 - 316SS spring (standard)
 - Sensor housing black anodized aluminum or 316L stainless steel (see table)
 - Viton O-rings
- **Window:** Acrylic
- **Accuracy:** ± 2% of full span (on increasing pressure)
- **Case/Bezel:** Fiberglass reinforced thermoplastic
- **Maximum Safe Working Pressure:** 6000 psig
- **Handwritten calibration test report**

Available Options

- ½" NPT female with adaptors (part #203963)
- Laminated safety glass window
- Case filling - glycerine or silicone
- In-line connections (side/end connection)
- Bi-directional reading
- Reversed pressure ports: high (+) on left, low (-) on right (facing gauge)
- Buna -N or EPDM O-rings
- Red drag pointer
- Reed switch with flying leads (SPST and SPDT)

Type	700.04			
Datasheet	700.04			
Connection	2 x ¼" NPT female back			
Sensor Housing	Black Anodized Aluminum		316 L Stainless Steel	
Case Size	2½"	4½"	2½"	4½"
0/5 psid	4390954	4390632	4390675	50334085
0/10 psid	4375242	4371866	4368084	4372170
0/20 psid	4375250	4368092	4371816	4372188
0/25 psid	4375268	4371883	4371824	4372196
0/30 psid	4390616	4390658	4390691	4390739
0/50 psid	4375276	4371891	4371832	4372209
0/60 psid	50420267	4390666		50441647
0/75 psid	4375285	4371905	4371840	4372217
0/100 psid	4375293	4371913	4371858	4372162
Code:	Order Options			
SG	Safety glass window			
MKIT	Wall/pipe mount kit			
1/4E	¼" NPT-F end connection			
1/2	½" NPT-F ss adaptor			
703.04	Glycerine case fill (Type 703.04)			
BD	Bi-directional reading			
DP	Drag pointer			
1SPDT 5W	1X SPDT 5W			
02	02 Service			

Items without part numbers are available - consult factory.

Additional accessories available - see "Accessories" section in back of catalog

Note: Stock items shown in bold, blue print.

Datasheet: 700.04

Differential Gauges

Type 700.05

- **Piston W/ Separating Diaphragm**
- **Dry or Liquid Filled**
- **For Use in Differential/Static Process Pressures**



This diaphragm-style differential pressure gauge is suited for use in applications requiring low/medium differential and medium/high process pressure media. Type 700.05 is intended for measuring pressure drops across filters, strainers, separators, heat exchanger, and gas recovery systems.

Standard Features

- **Size:** 2½" & 4½" (63mm, 115mm)
- **Connection:** 2 x ¼" NPT female, back mount
- **Wetted parts:**
 - Ceramic magnet (standard)
 - 316SS spring (standard)
 - Sensor housing black anodized aluminum or 316L stainless steel (see table)
 - Buna-N membrane & O-rings
- **Window:** Acrylic
- **Accuracy:** ± 2% of full span (on increasing pressure) for ranges 0/300 "H₂O-0/100 psid; ± 5% of full span (on increasing pressure) for ranges 0/50 "H₂O-0/200 "H₂O
- **Case/Bezel:** Fiberglass reinforced thermoplastic
- **Maximum Safe Working Pressure:** 3000 psig
- **Handwritten calibration test report**

Available Options

- ½" NPT female SS adaptors (part #203963)
- ¼" NPT female top & bottom mount
- Viton membrane and O-rings
- Laminated safety glass window
- Case filling - glycerine or silicone
- Red drag pointer

Type	700.05			
Datasheet	700.05			
Connection	2 x ¼" NPT female back			
Sensor Housing	Black Anodized Aluminum		316 L Stainless Steel	
	2½"	4½"	2½"	4½"
0/50 "H ₂ O	4375306	4375446	4375586	4375722
0/75 "H ₂ O	4375315	4375455	4375595	4375730
0/100 "H ₂ O	4375323	4375463	4375608	4375748
0/200 "H ₂ O	4375331	4375471	4375616	4375756
0/300 "H ₂ O	4375349	4375489	4375625	4375765
0/400 "H ₂ O	4375357	4375497	4375633	4375773
0/5 psid	4375366	4375501	4375641	4375781
0/10 psid	4375374	4375519	4375659	4375799
0/15 psid	4375382	4375527	4375667	4375803
0/25 psid	4375390	4375536	4375676	4375811
0/30 psid	4375404	4375544	4375684	4375829
0/50 psid	4375412	4375552	4375692	4375837
0/75 psid	4375420	4375560	4375706	4375846
0/100 psid	4375438	4375578	4375714	4375854

Code:	Order Options
SG	Safety glass window
MKIT	Wall/pipe mount kit
1/4E	¼" NPT-F dual top/bottom
1/2" ADAPT	½" NPT, SS adaptor - part # 203963
703.05	Glycerine case fill (Type 703.05)
DP Viton®	Drag pointer Viton® diaphragm
02	02 Service*

*Requires Viton Diaphragm. Price adder included.

Additional accessories available - see "Accessories" section in back of catalog

Items without part numbers are available - consult factory.

Datasheet: 700.05

Differential Gauges

Type 7X1.12



- Dual Bourdon Tube
- Copper Alloy Wetted Parts
- Duplex Option Available

Type 7X1.12 4" & 6" differential pressure gauges feature a black-painted steel case and friction ring with brass wetted parts. The differential pressure is displayed on a clear plastic disc, graduated with $\pm 50\%$ of full scale. The black aluminum pointer indicates the maximum static (line) pressure. The accuracy is 1.5% of span. Type 7X1.12 gauges can also be supplied as duplex gauges with one redpointer and one black pointer. These gauges can be used for monitoring differential pressures in filter plants, pipeline systems, valves and pumps, particularly in the gas, water and air supply markets and the preparation of such media without any magnetic substances.

Standard Features

- **Size:** 4" & 6" (100 & 160 mm)
- **Case & Ring:** Black-painted steel
- **Wetted Parts:** Copper alloy
- **Window:** Flat instrument glass
- **Accuracy:** $\pm 1.5\%$ of span

Available Options

- Duplex gauge option (red and black pointers)
- DP gauge with one pointer via subtracting movement
- Black steel or chrome plated brass front flange
- Alternate windows safety glass or acrylic
- Oxygen cleaning
- SS wetted parts (731.12)
- Liquid filling (713.12)
- Restrictors in gauge ports
- Liquid filled stainless steel version: 733.02

Abbreviations

LM- lower mount

Type	711.12 ●		
Datasheet	7X1.12		
Connection	2 x 1/4" NPT LM		
Size	4"		6"
Diff. Range	Max. Static Pressure	1/4" NPT	1/4" NPT
± 7.5 psi	15 psi		
± 15 psi	30 psi		
± 30 psi	60 psi		
± 50 psi	100 psi		
± 80 psi	160 psi		
± 100 psi	200 psi		
± 150 psi	300 psi		
± 200 psi	400 psi		
± 300 psi	600 psi		
± 400 psi	800 psi		
± 500 psi	1,000 psi		
15/0/15 psi (1)	30 psi		
30/0/30 psi (1)	60 psi		
50/0/50 psi (1)	100 psi		
100/0/100 psi (1)	200 psi		
150/0/150 psi (1)	300 psi		
200/0/200 psi (1)	400 psi		
400/0/400 psi (1)	800 psi		
500/0/500 psi (1)	1,000 psi		

(1) Differential indication via one pointer and subtracting movement.

Items without part numbers are available - consult factory.

Additional accessories available - see "Accessories" section in back of catalog

Datasheet: 7X1.12

Differential Gauges

Type 732.14

- **Diaphragm Type**
- **Process Industry Design**
- **All Stainless Steel Construction**



Type 732.14 4" & 6" differential pressure gauges feature all stainless steel construction with 316 stainless steel wetted parts. They offer overpressure safety up to 4000 psi (optional) regardless of scale range, with an accuracy of 1.5% of span. Overpressure option 6000 psi (optional) is limited to range 100" H₂O and up. The Type 732.14 gauge can be used in process industry applications.

Standard Features

- **Size:** 4" & 6" (100 & 160 mm)
- **Case & Ring:** Stainless steel
- **Wetted Parts:** 316 stainless steel
- **Window:** Laminated safety glass
- **Accuracy:** ± 1.5% of span

Available Options

- Liquid filling (733.14)
- Front flange
- Wall or pipe mounting brackets
- Back connection or 12 o'clock connection
- Electrical alarm contacts
- Transmitters
- Static/overpressure safety: 600 psi, 1500 psi and 4000 psi (100 bar & 250 bar)
- Max. static/overpressure option 6000 psi for ranges > 100" H₂O (73X.12)
- Monel® wetted parts
- Metric connections
- Pressure equalizing valves
- External zero-adjustment (standard with case filling)

Abbreviations

LM- Lower Mount

Additional accessories available - see "Accessories" section in back of catalog

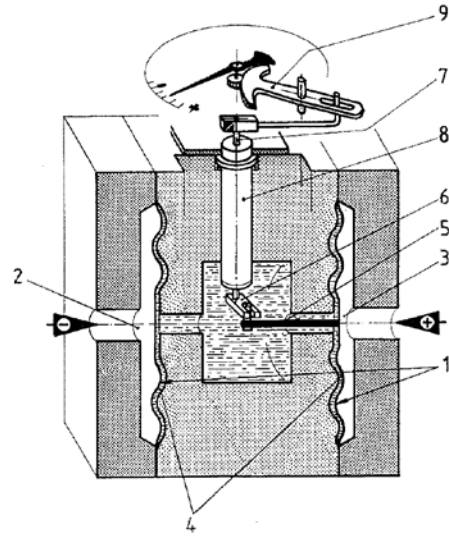
Datasheet: 732.14

Type	732.14		
Datasheet	73X.14		
Connection	2 x LM ●		
Size		4"	6"
Diff. Range	Maximum. Static Pressure Options	½" NPT female	½" NPT female
25" H ₂ O	600-4000 psig		
30" H ₂ O			
60" H ₂ O			
100" H ₂ O			
15 psi	600-6000 psig		
30 psi			
60 psi			
100 psi			
160 psi			
200 psi			
300 psi			
400 psi			

Items without part numbers are available - consult factory.

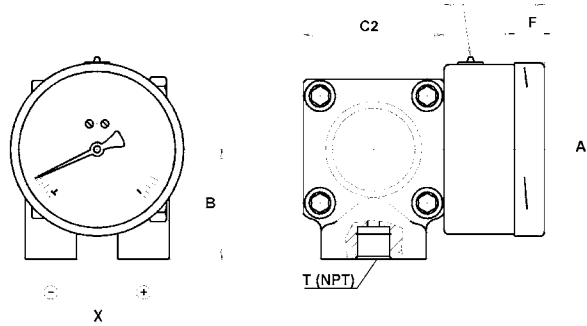
Design and Operating Principle of 732.14 and 732.2X (pages 81, 86 & 87)

- Process pressures are applied to the low pressure chamber (2) and high pressure chamber (3)
- The area between the two diaphragms (4) is filled with a transmitting fluid
- Any pressure differential will deflect the diaphragm (1) and the deflection is hydraulically transmitted to the other diaphragm by the transmitting fluid
- The deflection of the diaphragm is transmitted to the pointer by means of a rotating axle (9) that provides frictionless transmission and a metal-to-metal seal
- A pressure greater than the full scale will close the valve (5), thus discontinuing the transmission of pressure
- Both diaphragms rest on a liquid cushion that allows the instrument to withstand process pressure up to the maximum pressure rating of the instrument



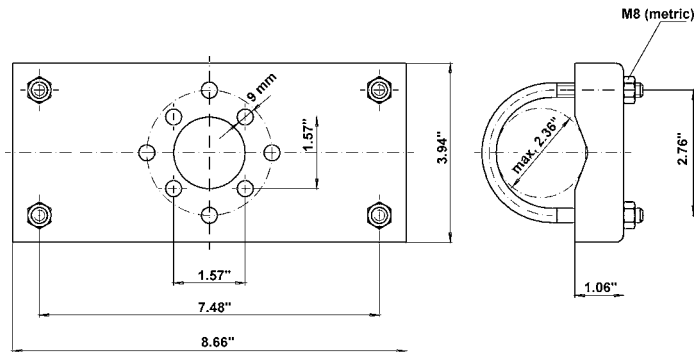
Dimensions:

(All dimensions in inches unless otherwise noted.)



Order Option

Mounting bracket for surface or pipe mounting



TYPE	WEIGHT	KEY	A	B	C1	C2	F	T	X
7X2.14 4"	8.6 lb	mm	101	64	58.5	82	17.5	1/2"	54
		in	3.98	2.5	2.3	3.2	.68		2.1
7X2.14 6"	9.5 lb	mm	161	64	65.5	82	17.5	1/2"	54
		in	6.33	2.5	2.6	3.2	.68		2.1

NOTE: For ranges 4 psi and lower, "B" dimension changes to 2.8" (70 mm) and "C2" dimension changes to 5.5" (140 mm). Weight increases by approx. 20 lbs.

Differential Gauges

Type 712.25DP

- **Dual Bourdon Tube Design**
- **Copper Alloy Wetted Parts**
- **Special Subtracting Movement**



Type 712.25DP 4½" & 6" gauges feature a tough black-painted aluminum case with brass wetted parts. They feature a dual Bourdon tube system and a special subtracting movement drives one pointer to display the differential pressure. The built-in rear flange matches up to existing mounting holes without any modifications. These gauges are suitable for all gaseous and liquid media that will not obstruct pressure systems or attack copper alloy parts.

Standard Features

- **Size:** 4½" & 6" (115mm & 160 mm)
- **Case & Ring:** Black epoxy-coated aluminum
- **Wetted parts:** Copper alloy
- **Window:** Flat instrument glass
- **Accuracy:** ± 2/1/2% of span ASME B40.100 Grade A

Available Options

- Brass restrictor
- Oxygen cleaning

Abbreviations

LM- lower mount

Type	712.25DP Differential Pressure		
Datasheet	712.25DP		
Connection	2 x LM		
Conn. Size	¼" NPT		
Size		4½"	6"
Diff. Range	Max. Static Pressure	PSI	
15 psid	15 psig		
30 psid	30 psig	4241487	4241819
60 psid	60 psig	4241495	4241827
100 psid	100 psig	4241509	4241835
160 psid	160 psig	4241517	4241843
200 psid	200 psig	4241525	4241851
300 psid	300 psig		
400 psid	400 psig	4241541	4241879
600 psid	600 psig		
800 psid	800 psig		
1,000 psid	1,000 psig	4241568	4241895
15/0/15 psid	30 psig		
30/0/30 psid	60 psig		
50/0/50 psid	100 psig		
100/0/100 psid	200 psig		
150/0/150 psid	300 psig		
200/0/200 psid	400 psig		
400/0/400 psid	800 psig		
500/0/500 psid	1000 psig		

Accessories (installed) Applies to any quantity when added to standard stock gauges.

Restrictor, Brass	R
-------------------	---

Additional accessories available - see "Accessories" section in back of catalog

Items without part numbers are available - consult factory.

Note: Stock items shown in bold, blue print.

Datasheet: [712.25DP](#)

Duplex Gauges

Type 712.25DX

- **Dual Bourdon Tube Design With Two Independent Pointers**
- **Copper Alloy Wetted Parts**
- **Built-in Rear Flange**



Type 712.25DX 4½" & 6" gauges feature a tough black-painted aluminum case with brass wetted parts. Type 712.25DX gauges feature two independent pressure systems and a special movement drives one red pointer and one black pointer to display two pressure readings on the dial. The built-in rear flange matches up to existing mounting holes without any modifications. The 712.25DX is suitable for all gaseous and liquid media that will not obstruct the pressure system or attack copper alloy parts.

Standard Features

- **Size:** 4½" & 6" (115 & 160 mm)
- **Case & Ring:** Black epoxy-coated aluminum
- **Wetted Parts:** Copper alloy
- **Window:** Flat instrument glass
- **Accuracy:** ± 2/1/2% of span ASME B40.100 Grade A
- **Max. Static Pressure:** 1.3x full scale value

Available Options

Brass restrictors
Oxygen cleaning

Abbreviations

LM- lower mount

Type	712.25DX Duplex Pressure	
Datasheet	712.25DX	
Connection	2 x LM	
Conn. Size	¼" NPT	
Press. Scale	PSI	
Size	4½"	6"
15 psi	4241657	4241738
30 psi	4241665	4241746
60 psi	4241673	4241754
100 psi	4241681	4241762
160 psi		
200 psi		
300 psi	4241691	4241771
400 psi		
600 psi		
800 psi		
1,000 psi	4241720	4241801
Accessories (installed)¹		
Restrictor, Brass	R	

¹Applies to any quantity when added to standard stock gauges.

Items without part numbers are available - consult factory.

Additional accessories available - see "Accessories" section in back of catalog

Datasheet: 712.25DX

Differential Gauges

Type 716.11

- Low Pressure Capsule Design
- Stainless Steel Case
- Copper Alloy Capsule



Type 716.11, 2½", 4" & 6" differential pressure gauges feature a stainless steel case and ring with brass wetted parts. Type 716.11 gauges are designed with a capsule measuring element for differential pressure measurement of clean, dry and low pressure gas applications.

Standard Features

- **Size:** 2½", 4" & 6" (63, 100 & 160 mm)
- **Case & Ring:** Stainless steel
- **Wetted Parts:** Copper alloy
- **Window:** Acrylic
- **Accuracy:** ± 1.5% of span

Available Options

- 10X overpressure protection
- Front or rear flanges
- Stainless steel wetted parts (736.11)
- Back connection

Abbreviations

LM- lower mount

Type	716.11 Differential Pressure		
Datasheet	716.11		
Connection	2 x LM		
Size	2½"	4"	6"
Max. Static Pressure	160" H ₂ O	100" H ₂ O	100" H ₂ O
Diff. Range	1/8" NPT	½" NPT	½" NPT
1.5" H ₂ O	N/A	N/A	*
2.5" H ₂ O	N/A		
5" H ₂ O	N/A		
10" H ₂ O			
15" H ₂ O			
30" H ₂ O			
60" H ₂ O			
160" H ₂ O		N/A	N/A

*Only feasible with short scale over 180°

Items without part numbers are available - consult factory.

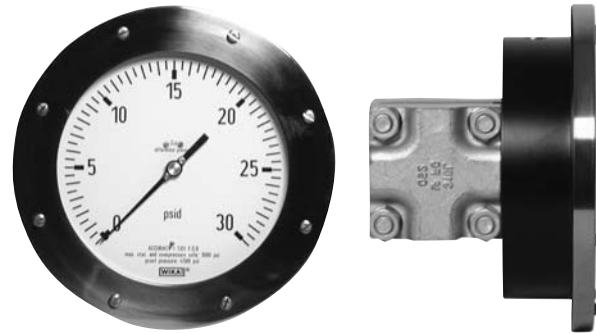
Additional accessories available - see "Accessories" section in back of catalog

Datasheet: 716.11

Differential Gauges

Type 732.25

- **Dual Membrane Sensing Element**
- **Dry or Liquid Filled**
- **For Use in High Differential/High Static Process Pressures**



This opposed membrane/liquid filled sensor element is designed for applications requiring high differential/high process pressures. The 732.25 is used in a variety of industrial uses, including rotating equipment systems and/or corrosive environments in liquid or gaseous media.

Standard Features

- **Size:** 4½" & 6" (115mm & 160mm)
- **Connection:** 2 x ¼" NPT female, back mount
- **Wetted parts:** 316L stainless steel sensor housing, Monel® membrane and PTFE O-ring
- **Dial:** White aluminum with black lettering
- **Pointer:** Black aluminum - adjustable
- **Window:** Acrylic
- **Accuracy:** ± 1% of full span per ASME B40.1 Grade 1A
- **Case/Bezel:** Black powder-coated aluminum, bezel SS polished
- **Maximum Safe Working Pressure:** 3000 psig
- **Supplied with handwritten calibration test report**

Available Options

- Case filling (glycerine or silicone oil)
- Top & bottom connection
- Wall/pipe mounting kit
(only available in connection with top/bottom mount)
- ½" NPT female adaptors (part #203963)
- 304SS case material
- Safety glass window
- Dial for flow applications (square root)

Additional accessories available - see "Accessories" section in back of catalog

Type	732.25	
Datasheet	732.25	
Connection	2 x ¼" NPT female back	
Case Size	4½"	6"
Ranges		
0/100 "H ₂ O		
0/150 "H ₂ O		
0/200 "H ₂ O		
0/300 "H ₂ O		
0/400 "H ₂ O		
0/15 psid	4375862	4375926
0/30 psid	4375870	4375935
0/60 psid	4375888	4375943
0/100 psid	4375896	4375951
0/230 psid	4375900	4375969
0/300 psid	4375918	4375977
0/400 psid		
0/500 psid		
0/600 psid		

Code:	Order Options
SG	Safety glass window
MKIT	Uni-wall/pipe mount kit
1/2FB	½" NPT female back mount
733.25	Glycerine-filled case
SS CASE	304SS case
SQ. RT.	Dial for flow
C-BRKT	C-bracket
H-BRKT	H-bracket

Items without part numbers are available - consult factory.

Datasheet: [732.25](#)

Differential Gauges

Type 732.26

- Dual Membrane Sensing Element
- Dry or Liquid Filled
- For Use in Low Differential/Medium Static Process Pressures



This opposed membrane/liquid-filled sensor element differential pressure gauge is for applications requiring low differential/medium static process pressures. The 732.26 is typically used for a variety of industrial uses, including cryogenic gases and/or corrosive environments in liquid or gaseous media.

Standard Features

- **Size:** 4½" & 6" (115mm & 160mm)
- **Connection:** 2 x ¼" NPT female, top/bottom
- **Wetted parts:** 316L stainless steel sensor housing, 316 stainless steel membrane and PTFE O-ring
- **Dial:** White aluminum with black lettering
- **Pointer:** Black aluminum - adjustable
- **Window:** Acrylic
- **Accuracy:** ± 1% of full span per ASME B40.1 Grade 1A
- **Service:** Cleaned for O₂ service with "USE NO OIL" on dial
- **Case/Bezel:** Black powder-coated aluminum, bezel SS polished
- **Maximum Safe Working Pressure:** 600 psig
- **Supplied with handwritten calibration test report**

Available Options

Case filling Halocarbon (only for O₂ service);
 other case fillings (glycerine or silicone oil) are available,
 but not for O₂ service (without * use no oil* on dial)

Wall/pipe mounting kit
 C-bracket mounting kit (part #2353275)
 H-bracket mounting kit (part #2398784)
 Special dials for liquid level measurement
 ½" NPT female adaptors (part #203963)
 304SS case material
 Safety glass window

Additional accessories available -
 see "Accessories" section in back of catalog

Type	732.26	
Datasheet	732.26	
Connection	2 x ¼" NPT female top/bottom	
Case Size	4½"	6"
Ranges		
0/100 "H ₂ O	4375986	4374246
0/150 "H ₂ O	4375994	4376036
0/200 "H ₂ O	4376001	4376044
0/300 "H ₂ O	4376019	4376052
0/400 "H ₂ O	4376027	4376060
0/15 psid		
0/30 psid		
0/60 psid		
0/100 psid		
0/230 psid		
0/300 psid		
0/400 psid		

Code:	Order Options
SG	Safety glass window
MKIT	Uni-wall/pipe mount kit
1/2F	½" NPT female top/bottom mount
733.26	Case filling
	Dial for LL measurement
SS CASE	304SS
C-BRKT	C-bracket
H-BRKT	H-bracket

Items without part numbers are available - consult factory.

Note: Stock items shown in **bold, blue** print.

Datasheet: [732.26](#)

Differential Gauges

Type 732.51



- **Process Industry Design**
- **All Stainless Steel Construction**
- **±1.5% Accuracy**

Type 732.51, 4" & 6" differential pressure gauges feature all stainless steel construction and 316 stainless steel wetted parts. The accuracy is 1.5% of span. The design of the Type 732.51 makes it ideal for applications in the process industry.

Standard Features

- **Size:** 4" & 6" (100 & 160 mm)
- **Case & Ring:** Stainless steel
- **Wetted Parts:** 316 stainless steel
- **Window:** Safety glass
- **Accuracy:** ± 1.5% of span

Available Options

- Alternate connections
- Liquid filling (733.51)
- Solid front case (732.31)
- Air bleeding plugs
- Static pressure rating to 600 psi
- Front flanges
- Pipe/surface mounting kit
- Pressure equalizing valve
- Alarm contacts
- Transmitters
- Oxygen service
- Side entry connection

Type	732.51					4"	6"
	73X.51						
	2 X LM						
Pressure Ranges (Differential Pressure)	Static pressure max. [PSI]		Overpressure safe (both sides) max. [PSI]		¼" NPT female		
	Standard	Optional	Standard	Optional			
0 to 10" H ₂ O to 0 to 15" H ₂ O	40	150	40	100			
0 to 25" H ₂ O to 0 to 100" H ₂ O	100	150	40	100			
0 to 6 psi	400	600	60	600			
0 to 10 psi	400	600	100	600			
0 to 15 psi	400	600	150	600			
0 to 25 psi	400	600	300	600			
0 to 40 psi							
0 to 400 psi	400	600	400	600			

Items without part numbers are available - consult factory.

Abbreviations

LM- lower mount

Additional accessories available - see "Accessories" section in back of catalog

Datasheet: 732.51

High Precision Gauges

High Precision Gauges

Type 312.20

- **Mirrored Dial**
- **Stainless Steel Case & Ring**
- **±0.25% of Span Accuracy**



Extremely sensitive and highly accurate, WIKA Type 312.20 test gauges are excellent for instrument shops, gauge repair and calibration shops, testing laboratories and other applications demanding high precision and consistent results. 312.20 test gauges feature adjustable knife-edge pointers and mirror bands on the dial to assure precise readings and to eliminate parallax error.

Standard Features

- **Size:** 6" (160 mm)
- **Case:** Stainless steel
- **Bayonet Ring:** Stainless steel
- **Wetted Parts:** Copper alloy
- **Movement:** Brass with nickel-silver pinion gears and shaft
- **Window:** Laminated safety glass
- **Dial:** White aluminum with mirrored band
- **Pointer:** Black aluminum, knife-edge
- **Accuracy:** ± 0.25% of span ASME B40.100 Grade 3A

Available Options

- Stainless steel front flange (FF)- 2 piece
- Stainless steel rear flange (RF)
- Brass or stainless steel restrictor
- Alternate windows, safety or acrylic
- Pointer knife-edge adjustable

Abbreviations

LM - lower mount

¹ "PSI/KPA" denotes dual scale; PSI outside in black, KPA inside in red.
 "PSI/KG/CM²" denotes dual scale; PSI outside in black, KG/CM² inside in red. Note:
 Vacuum scale: 30"Hg outside in black; 760 mm Hg inside in red.

Additional accessories available - see "Accessories" section in back of catalog

Type	312.20		
Datasheet	312.20		
Size	6"		
Connection	LM		
Conn. Size	1/4" NPT	1/2" NPT	
Press. Scale ¹	PSI	PSI/KG/CM ²	PSI
30" Hg	9746859	9747023	9747163
30"-0-15 psi			
30"-0-30 psi			
30"-0-60 psi			
30"-0-100 psi			
30"-0-160 psi			
30"-0-200 psi	9651454	9370994	
10 psi			
15 psi	9746867	9747031	9747171
30 psi	9746875	9747049	9747189
60 psi	9746884	9747057	9747197
100 psi	9746892	9747065	9747201
160 psi	9746905	9747074	9747219
200 psi	9746914	9747082	9747227
300 psi	9746922	9747090	9747235
400 psi	9746930	9747104	9747244
600 psi	9746948	9747112	9747252
800 psi	9746956		9747260
1,000 psi	9746965	9747120	9747278
1,500 psi	9746973		9747286
2,000 psi	9746981		9747295
3,000 psi	9746999	9747138	9747308
5,000 psi	9747006	9747146	9747316
10,000 psi	9747015	9747155	9747325

Accessories (installed)	
FF, SS	FF S
RF, SS	RF S
Restrictor	R

Note: Stock items shown in bold, blue print.

Datasheet: 312.20

High Precision Gauges

Type 332.30

- **Solid Front, Blow-out Back**
- **Mirrored Dial**
- **±0.25% of Span Accuracy**



Type 332.30 test gauges feature a solid front, blow-out back safety case design, adjustable knife-edge pointers, and mirror bands on the dial to assure precise readings and to eliminate parallax error. Extremely sensitive and highly accurate, WIKA Type 332.30 test gauges are excellent for instrument shops, gauge repair and calibration shops, testing laboratories and other applications demanding high precision and consistent results.

Standard Features

- **Size:** 6" (160 mm)
- **Case:** Stainless steel
- **Bayonet Ring:** Stainless steel
- **Wetted Parts:** 316 SS
- **Movement:** Stainless steel
- **Window:** Laminated safety glass
- **Dial:** White aluminum with mirrored band
- **Pointer:** Black aluminum, knife-edge
- **Accuracy:** ± 0.25% of span ASME B40.100 Grade 3A

Available Options

- Stainless steel front flange (FF)
- Stainless steel rear flange (RF)
- Brass or stainless steel restrictor
- Stainless steel surface mounting
- Alternate window, acrylic
- Adjustable knife edge pointer
- Alternate connections

Abbreviations

LM - lower mount

Additional accessories available - see "Accessories" section in back of catalog

¹ "PSI/KPA" denotes dual scale; PSI outside in black, KPA inside in red. "PSI/KG/CM²" denotes dual scale; PSI outside in black, KG/CM² inside in red. Note: Vacuum scale: 30" Hg outside in black; 760 mm Hg inside in red.

Datasheet: 332.30

Type	332.20
Datasheet	332.20
Conn. Size	½" NPT
Size	6"
Connection	LM
Press.Scale ¹	PSI
30" Hg	
30"-0-15 psi	
30"-0-30 psi	
30"-0-60 psi	
30"-0-100 psi	
30"-0-160 psi	
30"-0-200 psi	
10 psi	4304713
15 psi	
30 psi	
60 psi	
100 psi	4207408
160 psi	4207416
200 psi	
300 psi	4248946
400 psi	50046128
600 psi	4286112
800 psi	
1,000 psi	50179691
1,500 psi	50046136
2,000 psi	
3,000 psi	4282559
5,000 psi	9744309
10,000 psi	
Accessories (installed)	
FF, SS	FF S
Restrictor	R

High Precision Gauges

Type 332.34



- Rugged Thermoplastic Case
- Stainless Steel Case Wetted Parts
- **+0.25% of Span Accuracy**
(0.5% of Span > 600 psi < 2000 psi)

The Type 332.34 is an industrial type gauge suitable for corrosive environments where the fluid medium does not clog connection or corrode 316 ss material. Solid front, blow-out back case design meets safety requirements of ASME B40.100.

Standard Features

- **Size:** 4½" (115 mm)
- **Accuracy:**
 Ranges: 0/30" Hg to 600 psi and 2000 psi to 15,000 psi
 ± 0.25% of span (ASME B40.1 Grade 3A)
 Ranges: 600 psi to 2,000 psi and 20,000 psi
 ± 0.5% of span (ASME B40.1 Grade 2A)
- **Ranges:** (All ranges not stocked) Vacuum 30" Hg; pressure from 15 psi to 20,000 psi
- **Working Range:** Steady: 3/4 of full scale value; fluctuating: 2/3 of full scale value; short time: full scale value
- **Operating Temperature:** Ambient: -40°F to 140°F (-40°C to 60°C); Media: max. 212°F (+100°C)
- **Temperature Error:** Additional error when temperature changes from reference temperature of 68°F (20°C) +0.4% for every 18°F (10°C) rising or falling. Percentage of span.
- **Connection:** Material: 316 stainless steel; lower mount (LM); 1/4" NPT or 1/2" NPT limited to wrench flat area with M4 internal tap.
- **Bourdon Tube:** Material: 316 stainless steel; 30" Hg (Vac) to 600 psi C-type; 2000 to 20,000 psi helical type
- **Movement:** Stainless steel; internal stop pin
- **Dial:** White aluminum with black lettering and mirrored band
- **Pointer:** Black aluminum, micrometer adjustable, with knife edge
- **Case:** Black glass reinforced thermoplastic (PBTP); Solid front, blow-out back; Turret-style case with built-in rear flange lugs

Type	332.34
Datasheet	332.34
Size	4½"
Connection	LM
Conn. Size	½" NPT
30" Hg	4334711
15 psi	4334770
30 psi	4334788
60 psi	4334796
100 psi	4334800
160 psi	4334818
200 psi	4334826
300 psi	4334834
400 psi	4334842
600 psi	4334851
2,000 psi	4394506
3,000 psi	4200627
5,000 psi	50008880
10,000 psi	4200792
15,000 psi	50003569
20,000 psi	
Accessories (installed)	
Restrictor	R
4½"	PM
Panel Mount	

Note: Stock items shown in **bold, blue** print.

Available Options

- Threaded restrictor
- Instrument or safety glass
- Oxygen cleaning
- Drag pointer

Abbreviations

LM - lower mount

Additional accessories available - see "Accessories" section in back of catalog

Datasheet: 332.34

High Precision Gauges

Type 332.54



- **Mirrored Dial**
- **Stainless Steel Case Wetted Parts**
- **±0.25% of Span Accuracy
(0.5% of Span > 600 PSI < 2000 PSI)**

WIKA Type 332.54 inspector's test gauges are convenient for field calibrations. They have an accuracy of ±0.25% which meets ASME B40.100 Grade 3A. The mirrored band on the dial and the knife-edge pointer make it easy to take accurate readings from the gauge. Type 332.54 test gauges are supplied standard with a nylon, zippered carrying pouch.

Standard Features

- **Size:** 4" (100 mm)
- **Accuracy:**
 Ranges: 0/30" Hg to 600 psi and 2000 psi to 15,000 psi
 ± 0.25% of span (ASME B40.1 Grade 3A)
 Ranges: 600 psi to 2,000 psi and 20,000 psi
 ± 0.5% of span (ASME B40.1 Grade 2A)
- **Ranges:** (All ranges not stocked) Vacuum 30" Hg; Pressure from 15 psi to 10,000 psi
- **Working Range:** Steady: 3/4 of full scale value; fluctuating: 2/3 of full scale value; short time: full scale value
- **Operating Temperature:** Ambient: -40°F to 140°F (-40°C to 60°C); media: max. 212°F (+100°C)
- **Temperature Error:** Additional error when temperature changes from reference temperature of 68°F (20°C) +0.4% for every 18°F (10°C) rising or falling. Percentage of span
- **Connection:** Material: 316 stainless steel; lower mount (LM); 1/4" NPT or 1/2" NPT limited to wrench flat area
- **Bourdon Tube:** Material: 316 stainless steel; 30" Hg (Vac) to 600 psi C-type; 2000 to 10,000 psi helical type
- **Movement:** Stainless steel; internal stop pin
- **Dial:** White aluminum with black lettering and mirrored band
- **Pointer:** Black aluminum, micrometer adjustable, with knife edge
- **Case:** 304 stainless steel with vent plug and polished stainless steel bayonet ring

Available Options

- Threaded restrictor
- Instrument glass
- Oxygen cleaning

Abbreviations

LM - lower mount

Additional accessories available - see "Accessories" section in back of catalog

Datasheet: 332.54

Type	332.54
Datasheet	332.54
Size	4"
Connection	LM
Conn. Size	1/4" NPT
Press. Scale ¹	PSI
30" Hg	4220013
30"-0-15 psi	4362336
30"-0-30 psi	4255232
30"-0-60 psi	4333781
30"-0-100 psi	4237961
30"-0-160 psi	4213176
30"-0-200 psi	4200741
15 psi	4220021
30 psi	4220030
60 psi	4220048
100 psi	4220056
160 psi	4220064
200 psi	4220072
300 psi	4220081
400 psi	4220099
600 psi	4220102
1000 psi	4220111
1500 psi	4246004
2000 psi	4249250
3000 psi	4237979
5000 psi	4243269
10,000 psi	50044796

Accessories (installed)

Restrictor	R
RF, SS	RF

Note: Stock items shown in bold, blue print.

High Precision Gauges

Type 342.11

- High Precision Test Gauge
- Adjustable Dial to Re-Zero Gauge
- ± 0.1% of Span Accuracy



WIKA Type 342.11 precision test gauges are high quality, time-proven instruments designed for use as pressure transfer standards and in applications requiring exceptional precision and high reliability in the measurement of pressure. Both types of WIKA precision test gauges feature a Bourdon tube made of Ni-Span C[®] for all pressure ranges above 0-10 psi. Ni-Span C[®] has exceptional temperature stability and eliminates the need for an expensive thermal compensator.

Standard Features

- **Size:** 10" (250 mm)
- **Case:** Cast aluminum, dark grey with hammered finish
- **Ring:** Cast aluminum, dark grey with hammered finish
- **Connection:** 316 stainless steel
- **Bourdon Tube:** Ni-Span C[®]
- **Window:** Green tinted acrylic, non-reflecting
- **Dial:** White aluminum with mirrored band and zero adjustment
- **Pointer:** Black aluminum knife-edge
- **Accuracy:** ± 0.1% of span (ASME B40.100 Grade 4A)

Note: Beryllium copper is substituted for 10 psi range.
Photograph indicates dual scale dial.

All Type 342.11 gauges are supplied with a NIST Certificate of Calibration.

Available Options

Safety glass window
Stainless steel restrictor

Abbreviations

LM - lower mount

Type	342.11	
Datasheet	342.11	
Connection	LM	
Size	10"	
Conn. Size	1/4" NPT F	
Press.Ranges	Stem or Panel Mount	Wall Mount
30" Hg	9328750	
30" Hg-0-15 psi	9328769	
30" Hg-0-30 psi	9328777	
30" Hg-0-60 psi	9328785	
30" Hg-0-100 psi	9328793	
30" Hg-0-150 psi	8988927	
30" Hg-0-300 psi		
10 psi		
15 psi	9328823	
30 psi	9328831	
60 psi	9328840	8988986
100 psi	9328858	
160 psi	9328866	
200 psi	9328874	
300 psi	9328882	
400 psi	9328890	
600 psi	9328904	
800 psi	8988854	
1,000 psi	9328920	
1,500 psi		
2,000 psi	9328947	
3,000 psi	9328955	
5,000 psi		
10,000 psi		
15,000 psi	9328998	
20,000 psi	9329005	
300" H ₂ O	8590931	
400" H ₂ O		
600" H ₂ O		
1000" H ₂ O		

Options and Accessories for Type 342.11

Non-std. connection (1/4", 1/2" NPT male, autoclave or G1/2A)
Special scale
Cleaned for oxygen service (up to 6000 psi only)
Replacement carry case

Datasheet: 342.11

Calibration Test

Equipment & Accessories

Calibration Test Equipment & Accessories

Type CPP30

- Ergonomic Handling
- Compact Size
- Low Weight



WIKAI's Type CPP30 test pump is used for generating pressure for the testing, adjusting and calibrating of mechanical and electronic pressure measuring instruments.

Standard Features

- **Pressure Range:** -25 Hg ... 500 psi
- **Pressure Connections:** 1/2G" female thread for reference instrument
- **Material:** Brass and chromium-plated anodised aluminum
- **Weight:** 18 oz.
- **Dimensions:** 8.6" (L) x 4.1" (W) x 2.5" (T)

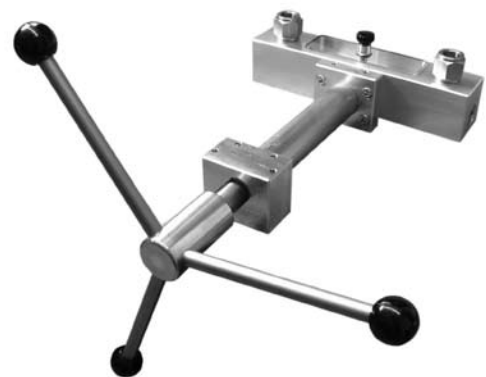
Part Number
12139671
12139701 (set of NPT adaptors, 1/4", 1/4", 3/8", 1/2")

Call factory for accessories.

Datasheet: [CT 91.01](#)

Type CPP1000-M

- Pressure Generation for Laboratories and Workshops
- Ergonomic Spindle Design
- Pressure Generation up to 14,500 psi



WIKAI's Type CPP1000-M pump provides quick and easy generation of pressures up to 14,500 psi. Contact factory for available adaptors and connections.

Datasheet: [CT 91.05](#)

Part Number
12401447
11208384 (shut-off valve for large volume test items)

Call factory for accessories.

Calibration Test Equipment & Accessories

Type 65-2000 & 65-2000 II

- Digital Pressure Calibrator
- NIST Calibration Certificate
- .02% of Reading (+/-) 3 digits
- Simultaneous Pressure and Electrical Readouts (mA or Volts)

The Type 65-2000 and Type 65-2000 II are used for the maintenance, testing, measurement, and calibration of pressure gauges and transmitters.

Standard Features- 65-2000

- **Range:** -10..0..100 psi~ (-0.7...7 bar)
- **Units:** mbar, bar, kPa, mmHg, psi, in. H₂O (20°)
- **Voltage measurement:** 0...± 32 V DC
- **Current measurement:** 0...± 32 mA DC
- **Transmitter supply:** ± 10%, galv. isolated 500 VDC max. current 30 mA

Standard Features- 65-2000 II

- **Range:** -10..0..100 psi~ (-0.7...7 bar)
- **Units:** mbar, bar, kPa, mmHg, psi, in. H₂O (20°)
- **Voltage measurement:** 0...± 32 V DC
- **Current measurement:** 0...± 32 mA DC
- **Transmitter supply:** ± 10%, galv. isolated 500 VDC max. current 30 mA
- **Pneumatic:** precision pressure regulator (for external pressure supply); pressure hand pump with volume controller for isolated supply



65-2000



65-2000 II

Part Number - Type	Range	Description
65-2000	-10 - 100 psi	Wally Box
65-2000 II	-10 - 100 psi	Wally Box II with integrated hand pump

Items shown without part numbers are available on special order.

Note: Stock items shown in bold, blue print.

Datasheets: Wallybox 65-2000, 65-2000 II

Calibration Test Equipment & Accessories

Type CPH-6200

Type CPH-6200 is used for checking current pressures and for the calibration of gauges and transmitters in the service industry, instrument and control workshops, laboratory/workshop/production industries, and calibration laboratories. Two versions are available: CPG 6200 with one sensor connection and CPG-6200-D with two sensor connections to measure differential pressure.

Datasheet: CPH-6200
Available on www.wika.com

**Contact WIKA for
CPH-6200 pricing**



Type CPH-6000

Type CPH-6000 is used for testing and calibration of pressure instruments and switches. This unit is useful as a portable handheld device and laboratory instrument. Ranges available are vac to 15,000 psi determined by plug and play CPT-6000 transmitter, supplied with accuracy 0.025% full scale. CPH-6000 displays both pressure and mA/volt output simultaneously, making it ideal for transmitter testing.

Datasheet: CPH-6000
Available on www.wika.com

**Contact WIKA for
CPH-6000 pricing**

