



Adjustable Angle Glass Thermometers

- ***Glass front excludes dust and dirt***
- ***Accuracy is +1% of scale***
- ***3 1/2", 6", 9" and 12" stems are available***
- ***Case material molded Valox® up to and including 300°F, diecast aluminum above 300°F***

The economical Weksler® adjustable angle thermometer is ideal for a variety of applications and is preferred by contractors, engineers and architects for its flexibility and low cost. The adjustment allows the user to rotate the case and stem 360° degrees for easy installation and use.

The mercury free blue liquid is housed in glass with a magnifying lens, and the white aluminum scale with bold black graduations and figures, enhance the readability of the unit. The thermometer is ideal for use in numerous applications including building heating & cooling, tanks, boilers and process piping.

ISO 9001
REGISTERED FIRM

Ashcroft Inc.
250 East Main Street
Stratford, CT 06614 USA
Tel: 203-378-8281
Fax: 203-385-0408
email: info@weksler.com
www.weksler.com

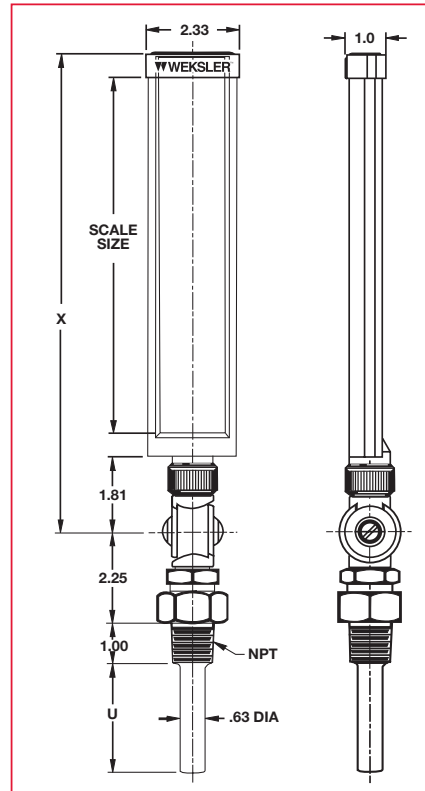


STANDARD FEATURES

- Mercury Free.
- Molded Valox® – V-shaped black case for ranges up to and including 300°F
- Die cast black aluminum V-shaped case for ranges above 300°F.
- Glass front excludes dust and dirt.
- White aluminum scale with bold black graduations and figures.
- Mercury Free blue liquid in glass with magnifying lens for easy readability.
- Accuracy is $\pm 1\%$ of full scale.
- Easy adjustment permits case and stem to be rotated 360°.
- 3½", 6", 9" & 12" stems available.
- 1¼"-18" NEF swivel nut.

PRODUCT OPTIONS

- Plastic window available for both 7" and 9" scale.
- Aluminum case available for low ranges (300°F and below).
- Lower connect (straight form) and back connect (back angle form) available.



RANGES

FAHRENHEIT

–40/110F
0/120F
0/160F
30/180F
30/240F
30/300F
50/400F⁽¹⁾
50/550F⁽¹⁾
50/750F^(1,2)

CELSIUS

–20/45C
0/50C
0/100C
0/160C⁽¹⁾
0/200C⁽¹⁾
0/300C^(1,2)

DUAL SCALE

–40/110F & –40/43C
0/120F & –15/48C
0/160F & –15/70C
30/180F & 0/82C
30/240F & 0/115C
30/300F & 0/150C
50/400F & 10/200C⁽¹⁾
50/550F & 10/290C⁽¹⁾
50/750F & 10/400C⁽¹⁾

MINOR GRADS

2°
1°
2°
2°
2°
5°
5°
5°
1°
1°
1°
2°
2°
2°
5°
5°
5°
5°
5°
5°

RANGE CODE

F1
F2
F3
F4
F5
F6
F7
F8
F9
C1
C2
C3
C4
C5
C6
D1
D2
D3
D4
D5
D6
D7
D8
D9

How to Order

Adjust Angle Thermometer: A 9 35 A F5 AL
 Scale Size: 7 = 7," 9 = 9"
 Stem Length: 35=3.5," 60=6," 90=9," 12=12,"
 Connection Location: A = adjust angle
 Range: see code table above
 Options: AL = aluminum case, PD = plastic window, RED = red spirit

All specifications are subject to change without notice.
 All sales subject to standard terms and conditions.
 © Ashcroft Inc. 2006

Valox® is a registered Trademark of The General Electric Company.

Ashcroft Inc.
 250 East Main Street
 Stratford, CT 06614 USA
 Tel: 203-378-8281
 Fax: 203-385-0408
 email: info@weksler.com
 www.weksler.com