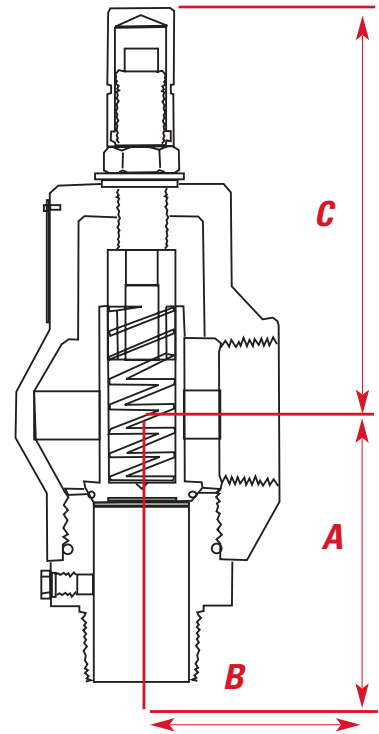




## 8400 Relief Valve

The 8400 series Relief Valve is designed to provide pressure relief in applications where hazardous vapors are to be piped away, maintaining safe, internal working pressure, while preventing routine expulsion of waste to the atmosphere. Available in 1" to 3" sizes. Standard pressure settings are 2 inches of water column to 5 psi. Seats are stainless steel.



### Specifications

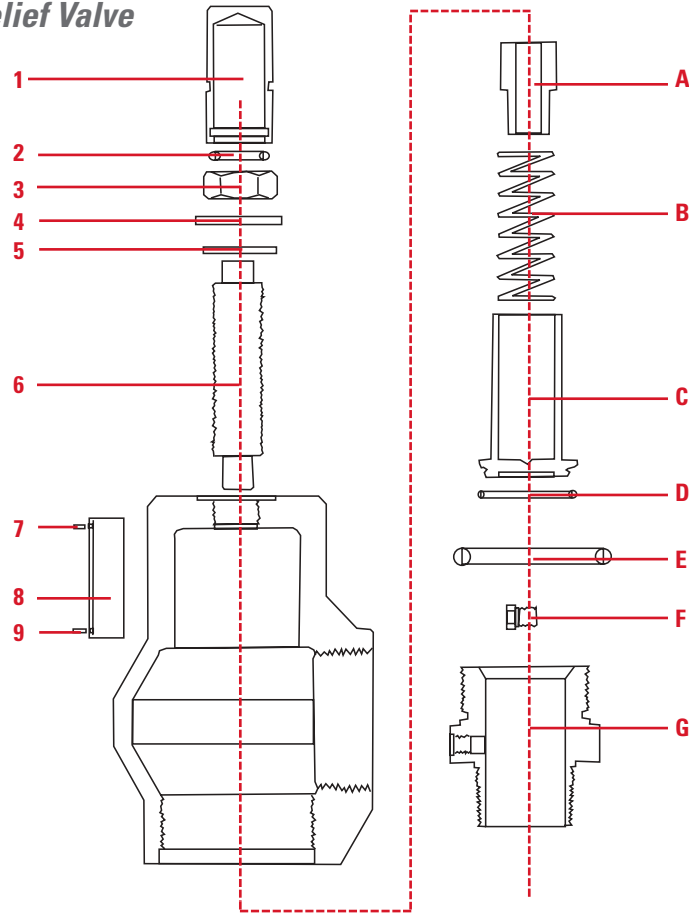
Orifice Area (sq. in)	Diameter	Pressure Range	Standard Connections	Flange Sizes (Smallest/Largest)
0.405	Full Bore	2 IWC to 5 psig	1 - MNPT x 2 FNPT	1 - 150 2 - 150
2.16	Full Bore	2 IWC to 5 psig	2 - MNPT x 2 FNPT	2 - 150 3 - 150
5.896	Full Bore	2 IWC to 5 psig	3 - MNPT x 3 FNPT	3 - 150 4 - 150

### Dimensions & Weights

Connection Size		Threaded Connections		Dimensions A		Dimensions B		Dimensions C		Approximate Weight	
Inlet	Outlet	Inlet	Outlet	inches	mm	inches	mm	inches	mm	lbs	kg
1"	1"	MNPT	FNPT	3.44	87.38	1.65	41.91	6.57	166.89	4.3	1.95
2"	2"	MNPT	FNPT	4.25	107.95	2.19	55.63	6.18	156.97	11.6	5.26
3"	3"	MNPT	FNPT	5.93	136.9	3.63	92.2	9.5	241.3	35.5	16.1

# Assembly of Vapor Relief Valve 8400

## Exploded View of a Vapor Relief Valve



### Bill of Materials 2-Inch Vapor Relief Valve

Ref. #	Part	Standard Service	NACE Carbon Steel	Corrosive Stainless Steel
1.	Thread Protector	Carbon Steel	Carbon Steel	Stainless Steel
2.	O-Ring	Fluorocarbon	*	*
3.	Lock Nut	Alloy Steel	Alloy Steel	Stainless Steel
4.	Washer	Carbon Steel	Carbon Steel	Stainless Steel
5.	Thread Seal	Carbon Steel w/Buna	Carbon Steel w/Buna	Carbon Steel w/Buna
6.	Adjusting Screw	CS w/ Zinc Plate	316 Stainless Steel	316 Stainless Steel
7.	Drive Screw	Stainless Steel	Stainless Steel	Stainless Steel
8.	Label	Stainless Steel	Stainless Steel	Stainless Steel
9.	Body	Carbon Steel	Carbon Steel	316 Stainless Steel
A.	Spring Keeper	304 Stainless Steel	304 Stainless Steel	304 Stainless Steel
B.	Spring	17.7 Stainless Steel	Inconel	316 Stainless Steel
C.	Disc	316 Stainless Steel	316 Stainless Steel	316 Stainless Steel
D.	O-Ring	Fluorocarbon	*	*
E.	O-Ring	Fluorocarbon	*	*
F.	Pipe Plug	Carbon Steel	Carbon Steel	316 Stainless Steel
G.	Seat Frame	Carbon Steel	Carbon Steel	316 Stainless Steel

\* Per customer specification.  
The standard is a 50 durometer fluorocarbon compound.



**TAYLOR VALVE TECHNOLOGY, INC.**

**8300 Southwest 8th Street • Oklahoma City, OK 73128**

**405.787.0145 USA • fax 405.789.8198 USA**

**www.taylorvalve.com**