

PRESSURE GAUGE SYPHON

STYLE# 1

1/2"

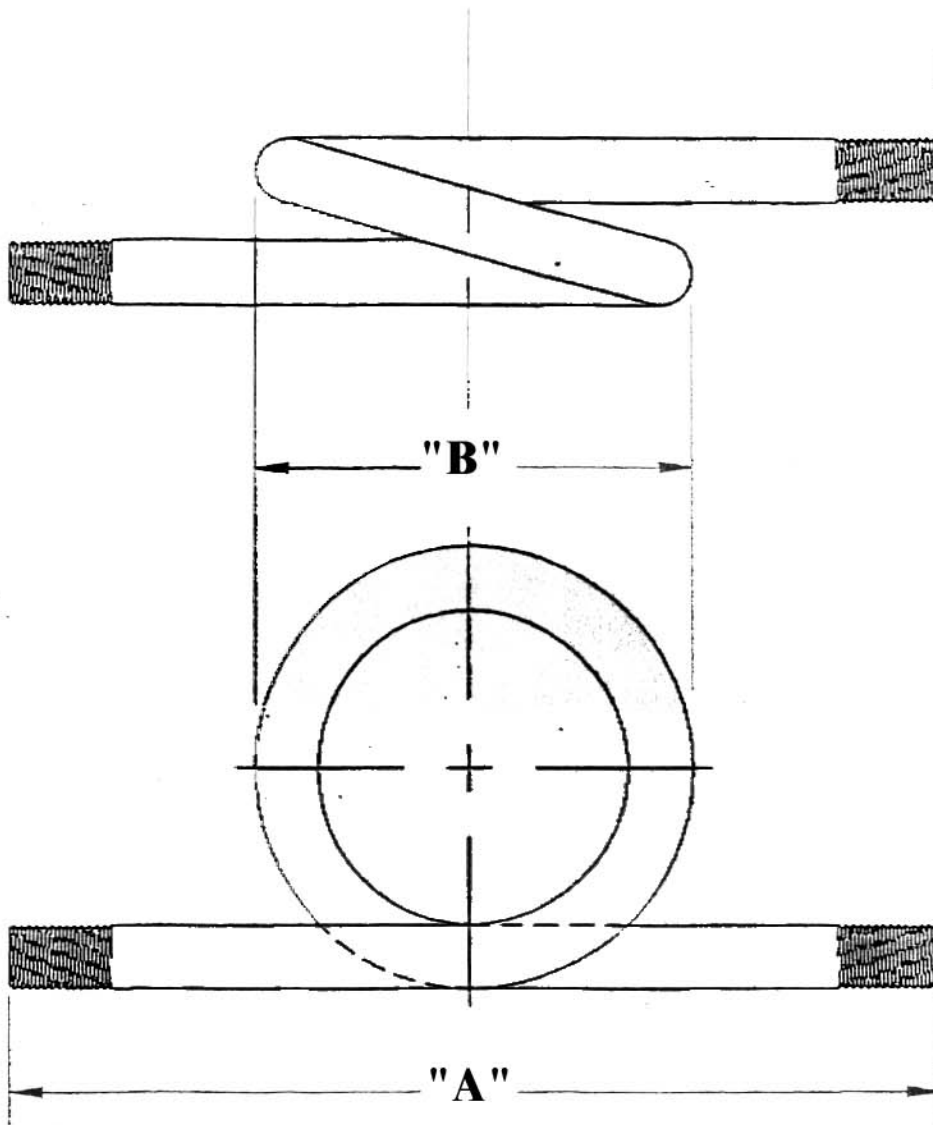
$$A = 8 \frac{7}{8}'' \pm \frac{1}{4}''$$

$$B = 4'' \pm \frac{1}{2}''$$

1/4"

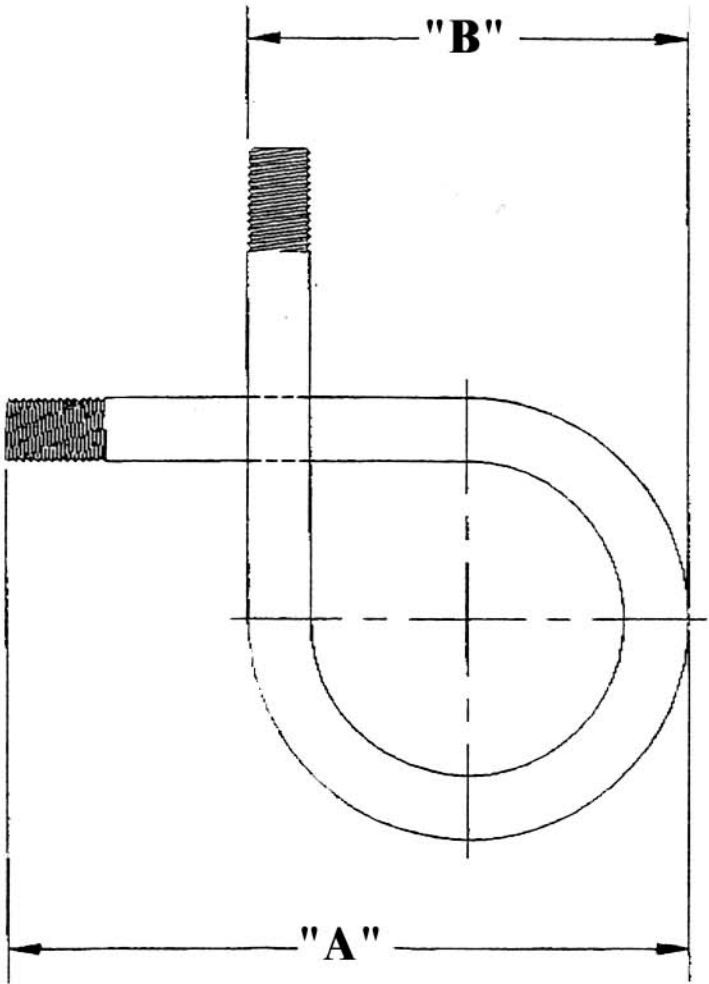
$$A = 5 \frac{1}{2}'' \pm \frac{1}{4}''$$

$$B = 2 \frac{1}{2}'' \pm \frac{1}{4}''$$



1 Reed Rd
PO BOX339
Elysburg, PA 17824
PHONE: 570-672-1550
FAX 570-572-1556

PRESSURE GAUGE SYPHON



STYLE# 2

1/2"

$$A = 6 \frac{1}{2}'' \pm \frac{1}{4}''$$

$$B = 4'' \pm \frac{1}{4}''$$

1/4"

$$A = 4 \frac{1}{4}'' \pm \frac{1}{4}''$$

$$B = 4'' \pm \frac{1}{4}''$$



1 Reed Rd
PO BOX339
Elysburg, PA 17824
PHONE: 570-672-1550
FAX 570-572-1556

PRESSURE GAUGE SYPHON

STYLE# 3

1/2"

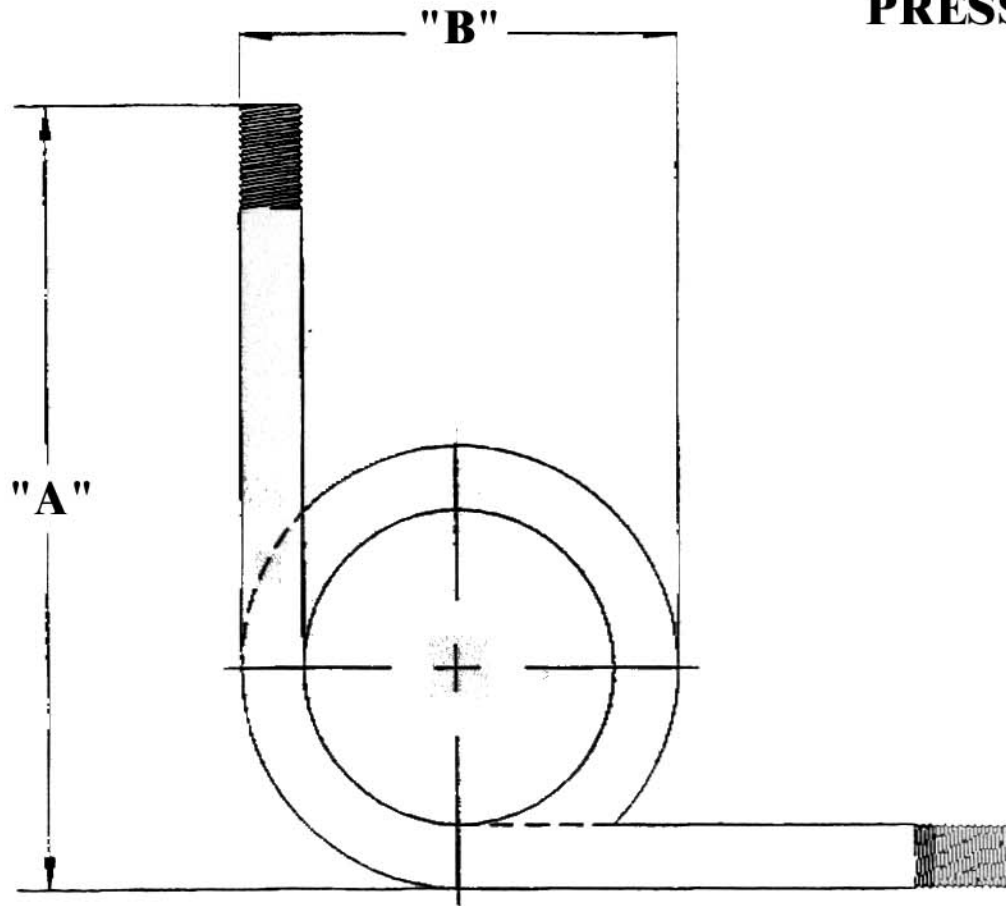
$$A = 7 \frac{1}{2}'' \pm \frac{1}{4}''$$

$$B = 4'' \pm \frac{1}{4}''$$

1/4"

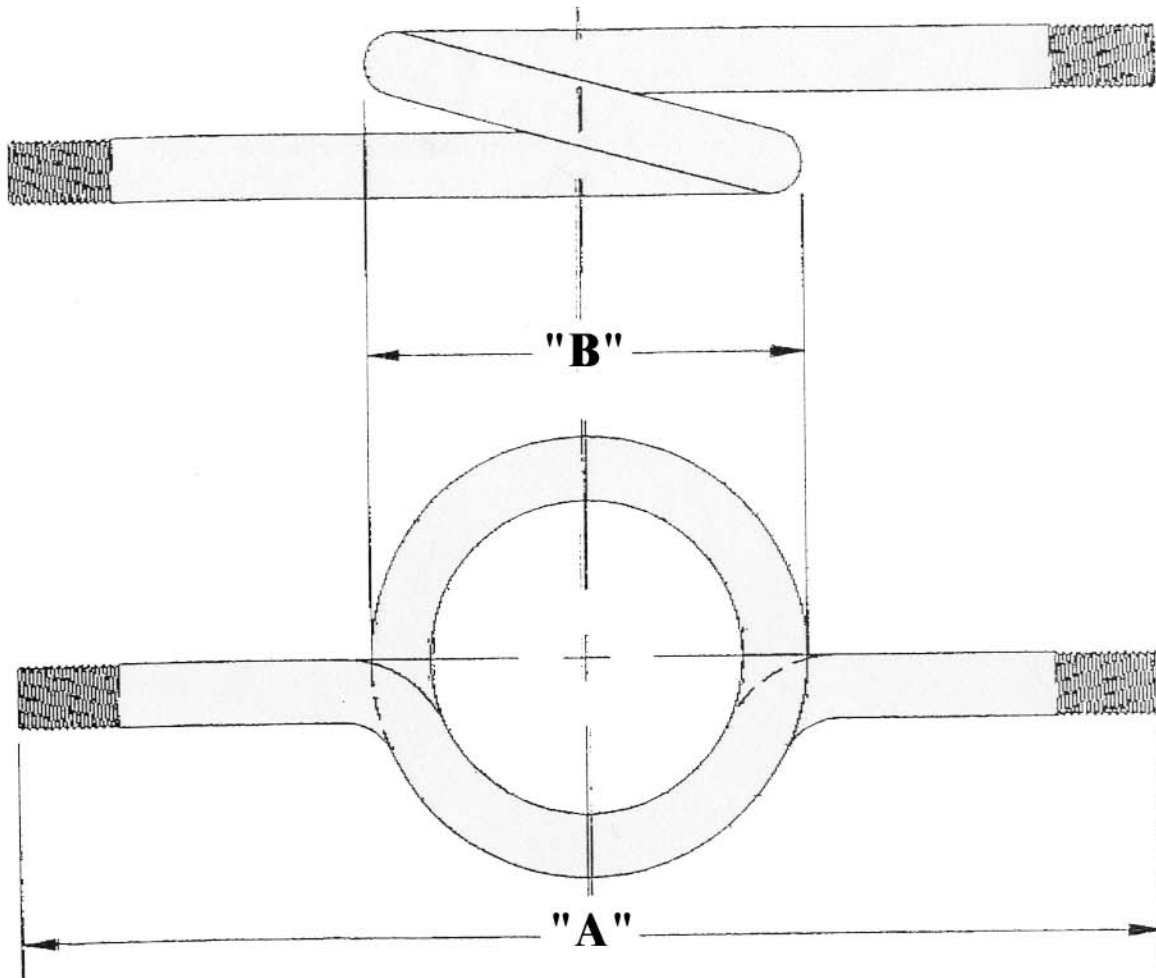
$$A = 4 \frac{1}{4}'' \pm \frac{1}{4}''$$

$$B = 2 \frac{1}{2}'' \pm \frac{1}{4}''$$



1 Reed Rd
PO BOX339
Elysburg, PA 17824
PHONE: 570-672-1550
FAX 570-572-1556

PRESSURE GAUGE SYPHON



STYLE# 4

1/2"

A = 12" ± 1/4"

B = 4 1/8" ± 1/4"

1/4"

A = 7 1/4" ± 1/4"

B = 2 5/8" ± 1/4"



**1 Reed Rd
PO BOX339
Elysburg, PA 17824
PHONE: 570-672-1550
FAX 570-572-1556**