

AVAILABLE
FROM STOCK

ASHCROFT®

The Ashcroft® model 2400E and 2410E Digital Thermometers are compact solid-state temperature measurement and display devices.

The 2400E and 2410E measure temperature with a laser-trimmed 2000 ohm RTD contained in a stainless steel probe. The signal from the RTD is conditioned and sent through an analog-to-digital converter and is indicated on an LED display.

The thermometer module uses a precision RTD sensor to provide very accurate and linear output. High normal resistance at room temperature minimizes the effect of the line resistance of the temperature probe.

Low excitation current also minimizes the effect of self-heating of the sensor, and as a result, the process temperature is measured accurately.

The unit is powered by 6 Vdc, which is delivered through a power supply that operates on 110 Vac (220 Vac and 24 Vac are optional).

The 2400 case can be panel mounted and, using optional mounting flanges, will fit standard 2" and 2½" diameter panel openings. The 2410 case is panel mounted with a U-clamp bracket in a standard 2" opening.

Applications

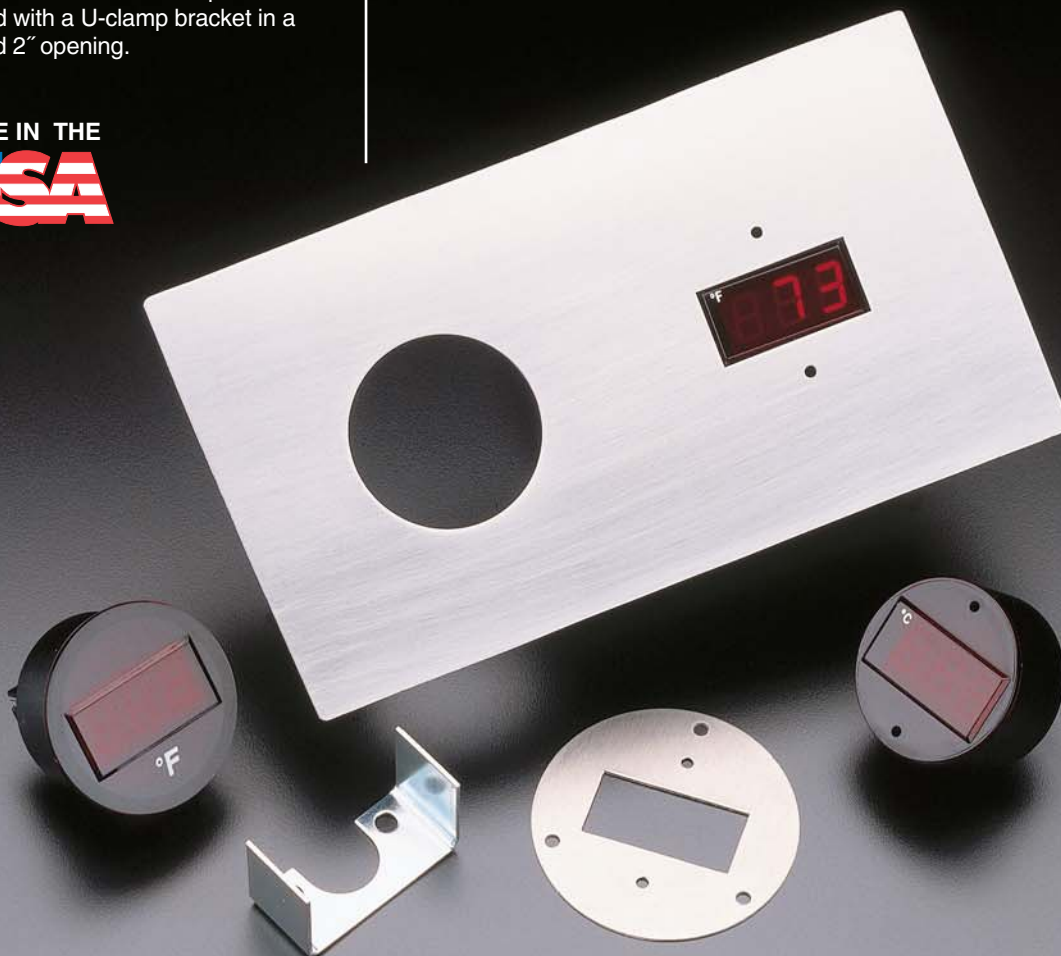
- Food service industry
- Dishwashing equipment
- Reach-in refrigerators and freezers
- Walk-in coolers, freezers and refrigerators
- Food warmers
- Refrigerator display cases
- Food storage equipment
- Food servicing and dispensing equipment
- Freezers (cabinet type)
- Beverage dispensers
- Laundry equipment
- Ventilation and air conditioning
- Photographic apparatus

Digital Thermometer

Benefits

- Watertight ultrasonic sealed case
- Solid-state design
- Reverse polarity protection
- Shock and vibration resistance
- Ranges for all applications, -40° to 199°F, 0° to 250°F, and -40° to 120°C
- Detachable sensors
- Accessible zero and span adjustments
- Retrofits 2" and 2½" vapor thermometers
- NSF approval

MADE IN THE



ISO 9001
REGISTERED FIRM

DRESSER®
Instruments

BULLETIN DTM-3

Functional Specifications

- Ranges:** -40°F to 199°F, 0°F to 250°F
-40°C to 120°C
- Over Range:** Displays -1
- Under Range:** Displays -1
- Ambient Temperature Limit:** -30°F to +160°F (-34° C to 71°)
- Temperature Stability:** 0.01%/°F
- Storage Temperature:** -40°F to 180°F
- Zero and Span Adjustments:** ±10% of range through two single-turn potentiometers accessible through the back of the thermometers module
- Power:** 110 Vac input (220 or 24 Vac optional), 6 Vdc regulated output, 50/60 Hz, 300mA
- Humidity Limits:** Up to 100% RH at 140°F
- Approvals:** U.L. recognized (file: E103515)
NSF C-2
CSA (file: Natl/c, LR76285-2)

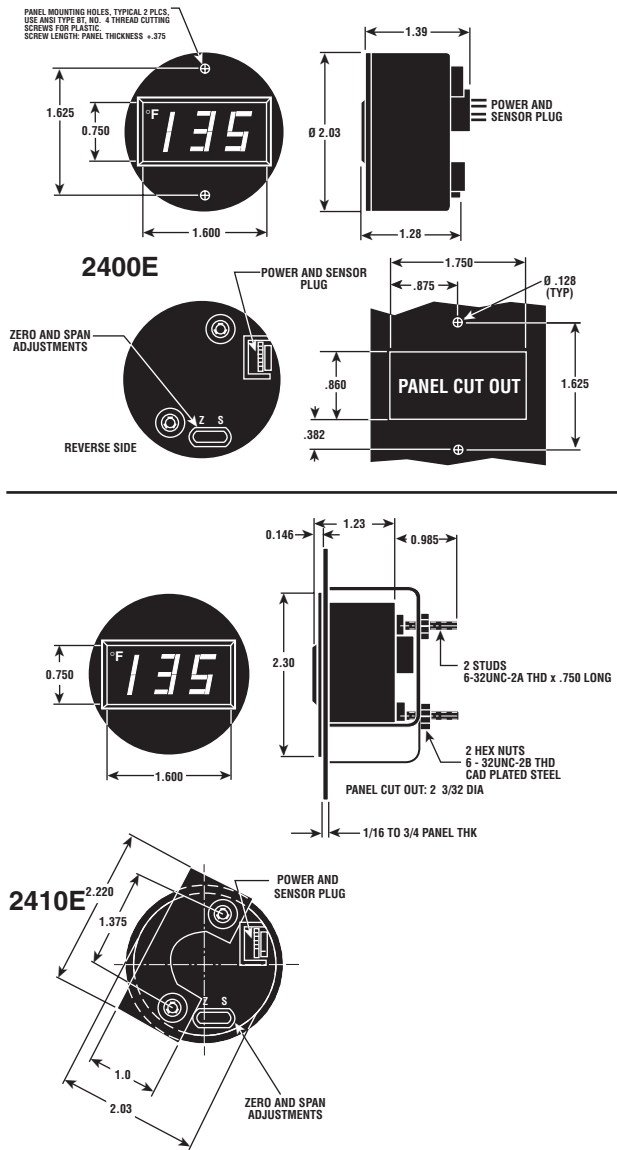
Physical Specifications

- Display:** LED with 1/2" x 1/4" numerals
- Sensor:** Laser trimmed 2000 ohm RTD
- Sensor Dimensions:** .250" Dia. x 2.54" Long, 300 series stainless steel with 8' wire cable
- Mounting: 2400** Flush mounted from back of panel using adhesive bonding, or #4 Type BT thread cutting screws. Screw length: 0.375 + panel thickness. 2" and 2 1/2" dia. flanges per ASME B40.1 are also available.
- 2410** Panel mounted from back of panel using U-clamp included. Maximum panel thickness: 0.75"
- Weight:** Display: 35 grams (0.08 lb)
Power supply: 2.11 grams (.5 lb)

Performance Specifications

- Accuracy:** ±2°F Per NSF C-2
- Resolution:** One degree
- Update time:** 3 readings per second
- Sensitivity:** At operating temperature, 1/2°F fluctuations in temperature are not indicated.
- Vibration:** 50 to 200 Hz @ 2.5g—no effect
- Failure Mode:** Upscale

Dimensions

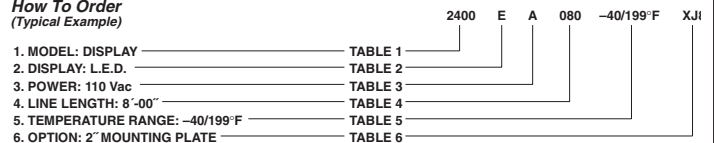


Selection Table

2400		E		A		080		-40/199°F		XJ8	
TABLE 1		TABLE 2		TABLE 3 ⁽¹⁾		TABLE 4		TABLE 5		TABLE 6	
MODEL		DISPLAY		POWER SUPPLY		LINE LENGTH		RANGE CODE		OPTIONS	
CODE	DESC.	CODE	DESC.	CODE	DESC.	CODE	DESC.	CODE	DESC.	CODE	DESC.
2400	PANEL MOUNT	E	LED	A	110 Vac	080	8 FT	-40/199°F	XJ7 ⁽²⁾	2 1/2" MOUNTING PLATE	
2410	PANEL MOUNT W/U-CLAMP			B	220 Vac	XXX	SPECIAL LENGTH	0/250°F	XJ8 ⁽²⁾	2" MOUNTING PLATE	
				C	24 Vac			-40/120°C			

(1) If power supply is not required change model number 2400 to 2401 or 2410 to 2411.
(2) Not available on 2410 case.

How To Order
(Typical Example)



Dresser Industries, Dresser, Inc.
250 East Main Street
Stratford, CT 06614
Tel: 203-378-8281 • Fax: 203-385-0408
www.ashcroft.com

