

Apollo® 76-600 Series

3-Way Diversion Stainless Steel Ball Valve

Threaded, 800 psig WOG, Cold Non-Shock.

FEATURES

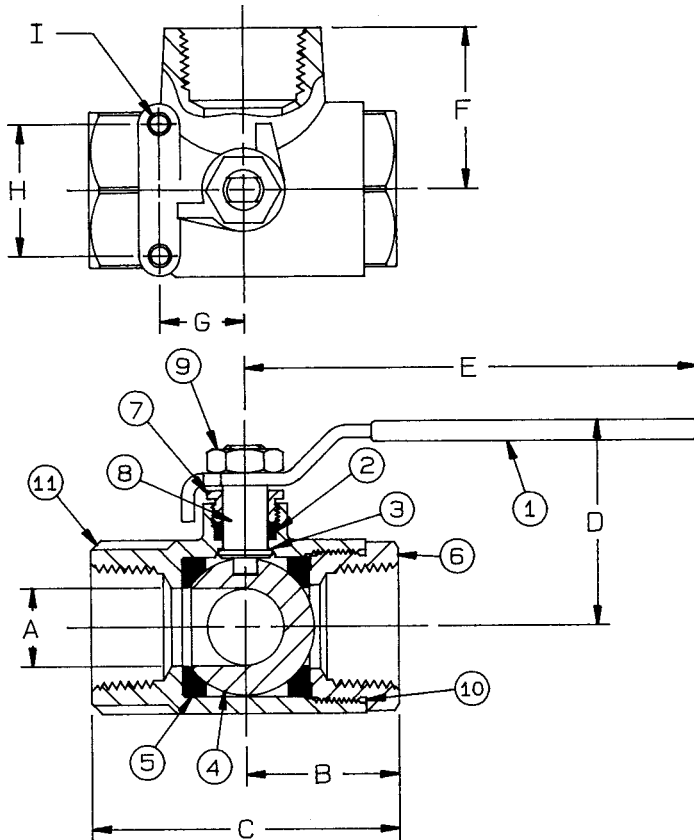
- RPTFE seats and stuffing box ring
- Meets NACE MR-01-75
- Blow-out-proof stem design
- Adjustable packing gland
- Investment cast body

STANDARD MATERIAL LIST

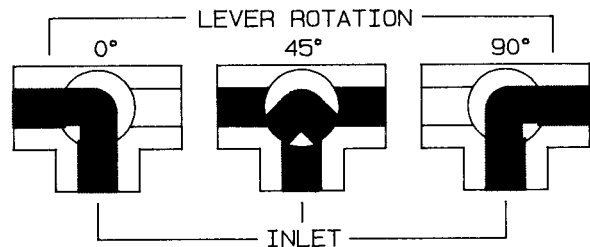
1. Lever and grip	304 SS w/vinyl	7. Gland nut	A276-316
2. Stem packing	RPTFE	8. Stem	A276-316
3. Stem bearing	RPTFE	9. Lever nut	18-8 SS
4. Ball	A276-316	10. Body seal (1-1/2" to 2")	PTFE
5. Seat (2)	RPTFE	11. Body	A351-CF8M
6. Retainer	A276-316 (1/4" to 1") A351-CF8M (1-1/2" to 2")		

OPTIONS AVAILABLE:

(SUFFIX)	OPTION	SIZES
-02-	Stem Grounded	1/4" to 2"
-03-	1-1/4" CS Stem Extension	1/4" to 2"
-04-	2-1/4" CS Stem Extension	1/4" to 2"
-21-	UHMWPE Seats (Non-PTFE)	1/4" to 2"
-24-	Graphite Packing	1/4" to 2"
-27-	SS Latch-Lock Lever & Nut	1/4" to 2"
-35-	VTFE Trim	1/4" to 2"
-49-	Assembled Dry	1/4" to 2"
-50-	2-1/4" CS Locking Stem Extension	1/4" to 2"
-56-	Multifill Seats & Packing	1/4" to 2"
-57-	Oxygen Cleaned	1/4" to 2"
-60-	Grounded Ball & Stem	1/4" to 2"
-P01-	BSP (Parallel) Thread Connection	1/4" to 2"
-T01-	BSP (Tapered) Thread Connection	1/4" to 2"



FLOW PATTERN



NOTE: Open port pressure must exceed Closed port pressure.

3-WAY DIVERSION STAINLESS STEEL BALL VALVE

NUMBER	SIZE	A	B	C	D	E	F	G	H	I	Wt.
76-601-01	1/4"	.37	1.12	2.32	1.8	3.88	1.18	.875	1.37	10-24	.7
76-602-01	3/8"	.37	1.12	2.32	1.8	3.88	1.18	.875	1.37	10-24	.68
76-603-01	1/2"	.50	1.12	2.32	1.81	3.87	1.18	.87	1.37	10-24	.75
76-604-01	3/4"	.68	1.50	3.00	2.12	4.87	1.50	.87	1.37	10-24	1.45
76-605-01	1"	.81	1.60	3.21	2.25	4.87	1.68	.87	1.37	10-24	1.86
76-607-01	1-1/2"	1.25	2.21	4.40	2.87	5.50	2.40	.94	1.50	1/4-20	4.67
76-608-01	2"	1.50	2.75	5.45	3.06	5.50	2.81	.94	1.50	1/4-20	7.02

**For Pressure/Temperature Ratings,
Refer to Page M-17, Graph No. 21**