

Apollo® 73A-100 Series

Carbon Steel Ball Valve

AAR Approved #E999032

Threaded, 2000 psig WOG, Cold Non-Shock. 150 psig Saturated Steam.
 Vacuum Service to 29 inches Hg.
 Federal Specification: WW-V-35C, Type: II, Composition: CS, Style: 3.

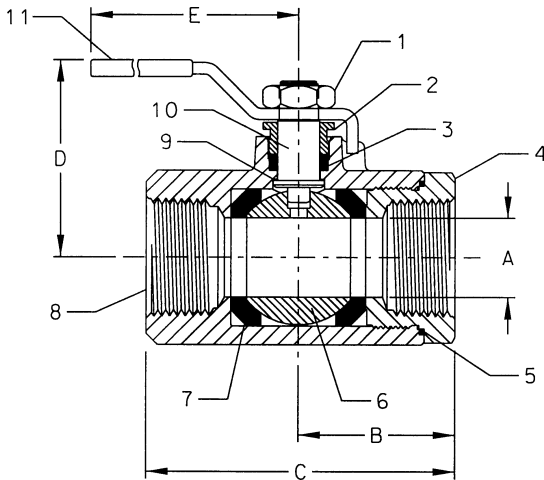
FEATURES

- RPTFE seats & packing
- Actuator mounting pads
- Forged construction
- Raised handle stops
- Blow-out-proof stem design
- Adjustable packing gland
- Nitride corrosion protection
- (-24) Fire safe to API 607 4th ed. class 600 burn

STANDARD MATERIAL LIST

1. Lever nut	Steel, zinc plated	6. Ball	A108-CS chrome plated
2. Gland nut	A108-CS	7. Seat (2)	RPTFE
3. Stem packing	RPTFE	8. Body	A105
4. Retainer	A108-CS	9. Stem bearing	RPTFE
5. Body seal	RPTFE (1/2" to 2")	10. Stem	A108-CS
		11. Lever/grip	Steel, zinc plated, with vinyl

VARIATIONS AVAILABLE: 73A-140- Series (316 SS Ball & Stem)
 (NACE compliant)



OPTIONS AVAILABLE:

(SUFFIX)	OPTION	SIZES
-02-	Static Grounded	1/4" to 2"
-03-	1-1/4" Stem Extension	1/4" to 2"
-04-	2-1/4" Stem Extension	1/4" to 2"
-07-	Tee Handle	1/4" to 1-1/2"
-08-	90° Reversed Stem	1/4" to 2"
-10-	SS Lever & Nut	1/4" to 2"
-14-	Vented ball	1/4" to 2"
-15-	Round Handle	1/4" to 1-1/2"
-24-	Graphite Stem Packing	1/4" to 2"
-27-	Latch Lock Lever	1/4" to 2"
-44-	Seal welded	1/4" to 2"
-45-	Less Lever & Nut	1/4" to 2"
-56-	Multi-fill Seats	1/4" to 2"
-60-	Static Grounded Ball & Stem	1/4" to 2"
-64-	250 Lb. Steam Trim	1/4" to 2"
-71-	Actuator Mtg. Drilled & Tapped	1/4" to 2"
-P01-	BSPP (Parallel) Thread Conn.	1/4" to 2"
-T01-	BSPT (Tapered) Thread Conn.	1/4" to 2"

CARBON STEEL BALL VALVE

NUMBER	SIZE	A	B	C	D	E
73A-101-01	1/4"	.37	1.02	2.53	1.72	3.85
73A-102-01	3/8"	.37	1.02	2.53	1.72	3.85
73A-103-01	1/2"	.50	1.18	2.29	1.78	3.85
73A-104-01	3/4"	.68	1.57	3.07	2.07	4.75
73A-105-01	1"	.87	1.73	3.40	2.18	4.75
73A-106-01	1-1/4"	1.00	1.98	3.97	2.72	5.50
73A-107-01	1-1/2"	1.25	2.14	4.32	3.12	7.75
73A-108-01	2"	1.50	2.73	5.44	3.27	7.75

**For Pressure/Temperature Ratings,
 Refer to Page N-15, Graph No. 13**